

PC324T-40-4

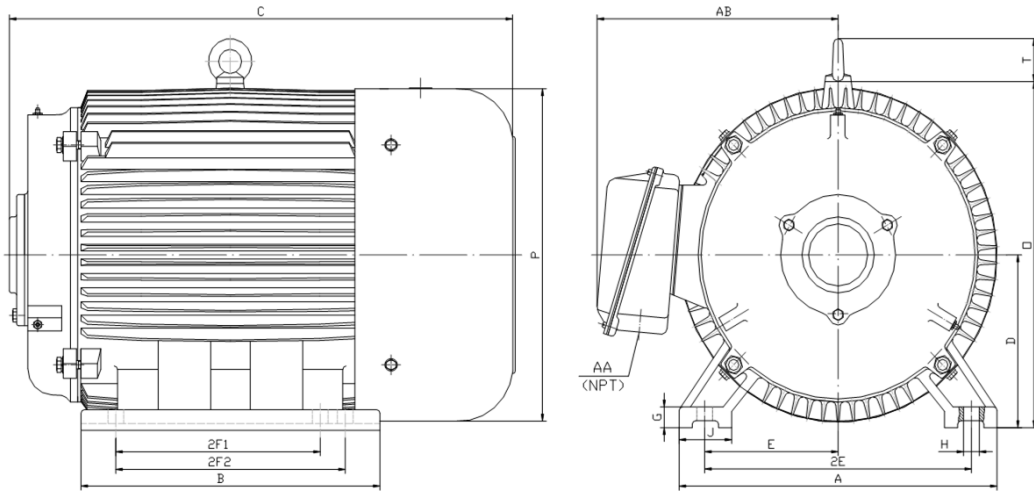
CONVERTER

DESIGNED FOR USE WITH ROTARY PHASE CONVERTER UNITS

TOTALLY ENCLOSED FAN COOLED

SPIKE RESISTANT WIRE (2200V PEAK VOLTAGE SPIKE RATING)

Factory Certified for T2B Class I, Division II, Groups A,B,C & D and Class II, Division II, Groups F & G



DIMENSIONS

HP	RPM	Frame	MOUNTING														
			A	B	C	D	G	H	J	E	2E	2F1	2F2	O	P	T	BA
40	1800	324	15.50	14.70	24.55	8.00	1.00	0.66	2.75	6.25	12.50	10.50	N/A	15.90	15.70	2.60	5.25

Conduit Box		Bearings		Mount
AA	AB	DE	ODE	
2.00	12.30	6312/C3	6312/C3	F1

BEARING LUBRICATION: The bearings come lubricated with Mobile Polyrex EM Polyurea Grease. It is recommended that you add some additional lubrication when the motor is installed.

Three options (brands) for suitable lubrication include, but are not limited to, the following:

- 1.) Mobile Polyrex EM
- 2.) Citco Polyurea MP
- 3.) Conoco Phillips Polytac EP





PC324T-40-4

CONVERTER

DESIGNED FOR USE WITH ROTARY PHASE CONVERTER UNITS

TOTALLY ENCLOSED FAN COOLED

SPIKE RESISTANT WIRE (2200V PEAK VOLTAGE SPIKE RATING)

Factory Certified for T2B Class I, Division II, Groups A,B,C & D and Class II, Division II, Groups F & G

PERFORMANCE DATA

HP	RPM	Frame	Voltage	Frequency (Hz)	Full Load S.F.	Insulation Class	NEMA Design	Slip (%)	NEMA Code	Enclosure Type	IP Rating	Max. Ambient
40	1775	324	208-230/460	60	1.15	F	B	1.4	G	TEFC	55	40° C

Amps (460V)		Efficiency (%)		Power Factor	Torque (ft-lb)			DE Bearing	ODE Bearing	Connection	Weight (lbs.)
FLA	LRA	NOM.	MIN.		FT-LB.	LRT %	BDT %				
46.7	290.0	94.1	93.0	0.87	119.0	190	280	6312/C3	6312/C3	12 Lead 2Δ/Δ	498

NAME PLATE

						CONVERTER			CONNECTION DIAGRAMS				
SPIKE RESISTANT WIRE RATED FOR 2200V PEAK VOLTAGE SPIKES						TOTALLY ENCLOSED FAN COOLED							
CAT NO:	PC324T-40-4	FRAME	324	HZ	60	PHASE	3						
HP	40	RPM	1775	IP RATING	55	ENCL	TEFC						
VOLTS	208-230/460	AMPS	103.3-93.4/46.7	S.F.	1.15	INS	F						
FLA	46.70	LRA	290.0	CODE	G	DESIGN	B						
NOM EFF.	94.10	P.F.	0.87	DE BEARING	6312/C3								
MIN EFF.	93.00	SLIP	1.4%	ODE BEARING	6312/C3								
MOTOR WEIGHT	498 LBS	CONNECTION	12 Lead 2Δ/Δ	SER									
Specifically designed for use with rotary phase converters.													
Hernando, MS 38632						www.naemotors.com							

APPLICATIONS:

Specifically designed for use as the converter component for rotary phase converters.

