

PC286T-30-4

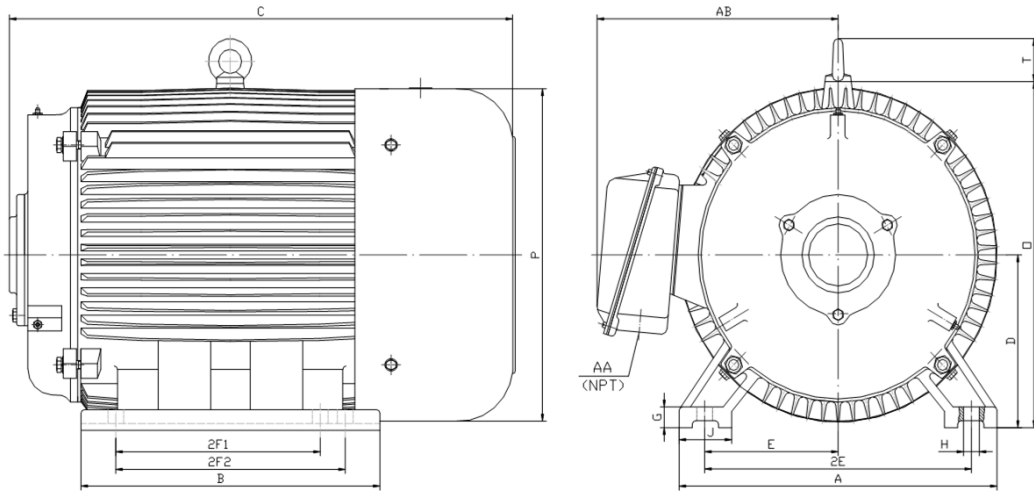
CONVERTER

DESIGNED FOR USE WITH ROTARY PHASE CONVERTER UNITS

TOTALLY ENCLOSED FAN COOLED

SPIKE RESISTANT WIRE (2200V PEAK VOLTAGE SPIKE RATING)

Factory Certified for T2B Class I, Division II, Groups A,B,C & D and Class II, Division II, Groups F & G



DIMENSIONS

| HP | RPM | Frame | MOUNTING | | | | | | | | | | | | | | |
|----|------|-------|----------|-------|-------|------|------|------|------|------|-------|------|-------|-------|-------|------|------|
| | | | A | B | C | D | G | H | J | E | 2E | 2F1 | 2F2 | O | P | T | BA |
| 30 | 1800 | 286 | 14.00 | 13.20 | 23.48 | 7.00 | 0.85 | 0.53 | 2.75 | 5.50 | 11.00 | 9.50 | 11.00 | 14.50 | 14.00 | 2.20 | 4.75 |

| Conduit Box | | Bearings | | Mount |
|-------------|-------|----------|---------|-------|
| AA | AB | DE | ODE | |
| 1.50 | 11.30 | 6311/C3 | 6311/C3 | F1 |

BEARING LUBRICATION: The bearings come lubricated with Mobile Polyrex EM Polyurea Grease. It is recommended that you add some additional lubrication when the motor is installed.

Three options (brands) for suitable lubrication include, but are not limited to, the following:

- 1.) Mobile Polyrex EM
- 2.) Citco Polyurea MP
- 3.) Conoco Phillips Polytac EP





PC286T-30-4

CONVERTER

DESIGNED FOR USE WITH ROTARY PHASE CONVERTER UNITS

TOTALLY ENCLOSED FAN COOLED

SPIKE RESISTANT WIRE (2200V PEAK VOLTAGE SPIKE RATING)

Factory Certified for T2B Class I, Division II, Groups A,B,C & D and Class II, Division II, Groups F & G

PERFORMANCE DATA

| HP | RPM | Frame | Voltage | Frequency (Hz) | Full Load S.F. | Insulation Class | NEMA Design | Slip (%) | NEMA Code | Enclosure Type | IP Rating | Max. Ambient |
|----|------|-------|-------------|----------------|----------------|------------------|-------------|----------|-----------|----------------|-----------|--------------|
| 30 | 1770 | 286 | 208-230/460 | 60 | 1.15 | F | B | 1.7 | G | TEFC | 55 | 40° C |

| Amps (460V) | | Efficiency (%) | | Power Factor | Torque (ft-lb) | | | DE Bearing | ODE Bearing | Connection | Weight (lbs.) |
|-------------|-------|----------------|------|--------------|----------------|-------|-------|------------|-------------|--------------|---------------|
| FLA | LRA | NOM. | MIN. | | FT-LB. | LRT % | BDT % | | | | |
| 35.3 | 217.0 | 93.6 | 92.4 | 0.87 | 89.1 | 200 | 300 | 6311/C3 | 6311/C3 | 12 Lead 2Δ/Δ | 378 |

NAME PLATE

| | | | | | | | | | | | | | | |
|---|--|-------------------------|--|---------------------|--|---|--|--|--|--|--|---------------------|--|--|
| | | | | | | CONVERTER TOTALLY ENCLOSED FAN COOLED SPIKE RESISTANT WIRE RATED FOR 2200V PEAK VOLTAGE SPIKES | | | | | | CONNECTION DIAGRAMS | | |
| CAT NO: PC286T-30-4 | | FRAME 286 | | HZ 60 | | PHASE 3 | | | | | | | | |
| HP 30 | | RPM 1770 | | IP RATING 55 | | ENCL TEFC | | | | | | | | |
| VOLTS 208-230/460 | | AMPS 78.1-70.6/35.3 | | S.F. 1.15 | | INS F | | | | | | | | |
| FLA 35.30 | | LRA 217.0 | | CODE G | | DESIGN B | | | | | | | | |
| NOM EFF. 93.60 | | P.F. 0.87 | | DE BEARING 6311/C3 | | | | | | | | | | |
| MIN EFF. 92.40 | | SLIP 1.7% | | ODE BEARING 6311/C3 | | | | | | | | | | |
| MOTOR WEIGHT 378 LBS | | CONNECTION 12 Lead 2Δ/Δ | | SER | | | | | | | | | | |
| Specifically designed for use with rotary phase converters. | | | | | | | | | | | | | | |
| Hernando, MS 38632 | | | | | | www.naemotors.com | | | | | | | | |

APPLICATIONS:

Specifically designed for use as the converter component for rotary phase converters.

