

PC254T-15-4

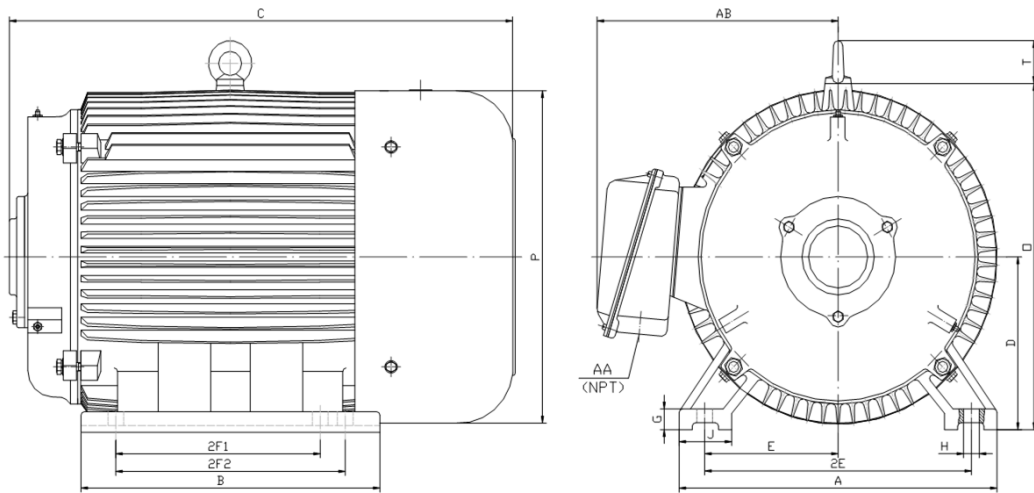
CONVERTER

DESIGNED FOR USE WITH ROTARY PHASE CONVERTER UNITS

TOTALLY ENCLOSED FAN COOLED

SPIKE RESISTANT WIRE (2200V PEAK VOLTAGE SPIKE RATING)

Factory Certified for T2B Class I, Division II, Groups A,B,C & D and Class II, Division II, Groups F & G



DIMENSIONS

HP	RPM	Frame	MOUNTING														
			A	B	C	D	G	H	J	E	2E	2F1	2F2	O	P	T	BA
15	1800	254	13.00	12.20	19.20	6.25	0.70	0.53	2.75	5.00	10.00	8.25	N/A	13.00	12.40	2.20	4.25

Conduit Box		Bearings		Mount
AA	AB	DE	ODE	
1.25	10.10	6309/C3	6309/C3	F1

BEARING LUBRICATION: The bearings come lubricated with Mobile Polyrex EM Polyurea Grease. It is recommended that you add some additional lubrication when the motor is installed.

Three options (brands) for suitable lubrication include, but are not limited to, the following:

- 1.) Mobile Polyrex EM
- 2.) Citco Polyurea MP
- 3.) Conoco Phillips Polytac EP





PC254T-15-4

CONVERTER

DESIGNED FOR USE WITH ROTARY PHASE CONVERTER UNITS

TOTALLY ENCLOSED FAN COOLED

SPIKE RESISTANT WIRE (2200V PEAK VOLTAGE SPIKE RATING)

Factory Certified for T2B Class I, Division II, Groups A,B,C & D and Class II, Division II, Groups F & G

PERFORMANCE DATA

HP	RPM	Frame	Voltage	Frequency (Hz)	Full Load S.F.	Insulation Class	NEMA Design	Slip (%)	NEMA Code	Enclosure Type	IP Rating	Max. Ambient
15	1750	254	208-230/460	60	1.15	F	B	2.8	G	TEFC	55	40° C

Amps (460V)		Efficiency (%)		Power Factor	Torque (ft-lb)			DE Bearing	ODE Bearing	Connection	Weight (lbs.)
FLA	LRA	NOM.	MIN.		FT-LB.	LRT %	BDT %				
18.3	116.0	92.4	91.0	0.84	45.0	210	250	6309/C3	6309/C3	12 Lead 2Δ/Δ	260

NAME PLATE

						CONVERTER TOTALLY ENCLOSED FAN COOLED SPIKE RESISTANT WIRE RATED FOR 2200V PEAK VOLTAGE SPIKES						CONNECTION DIAGRAMS		
CAT NO: PC254T-15-4		FRAME 254		HZ 60		PHASE 3								
HP 15		RPM 1750		IP RATING 55		ENCL TEFC								
VOLTS 208-230/460		AMPS 40.5-36.6/18.3		S.F. 1.15		INS F								
FLA 18.30		LRA 116.0		CODE G		DESIGN B								
NOM EFF. 92.40		P.F. 0.84		DE BEARING 6309/C3										
MIN EFF. 91.00		SLIP 2.8%		ODE BEARING 6309/C3										
MOTOR WEIGHT 260 LBS		CONNECTION 12 Lead 2Δ/Δ		SER										
Specifically designed for use with rotary phase converters. Hernando, MS 38632									www.naemotors.com					

APPLICATIONS:

Specifically designed for use as the converter component for rotary phase converters.

