

PC215T-10-4

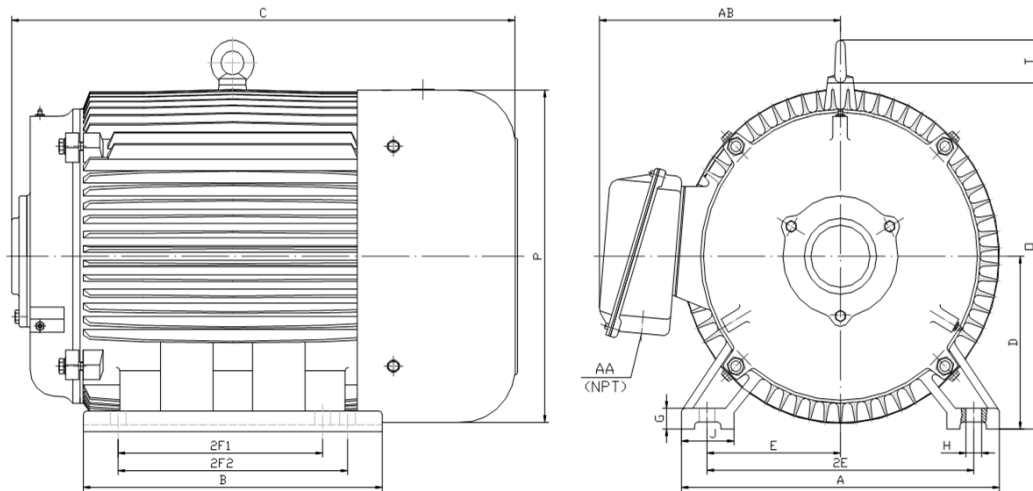
CONVERTER

DESIGNED FOR USE WITH ROTARY PHASE CONVERTER UNITS

TOTALLY ENCLOSED FAN COOLED

SPIKE RESISTANT WIRE (2200V PEAK VOLTAGE SPIKE RATING)

Factory Certified for T2B Class I, Division II, Groups A,B,C & D and Class II, Division II, Groups F & G



DIMENSIONS

HP	RPM	Frame	MOUNTING														
			A	B	C	D	G	H	J	E	2E	2F1	2F2	O	P	T	BA
10	1800	215	11.00	9.40	17.02	5.25	0.70	0.41	2.40	4.25	8.50	5.50	7.00	10.50	10.20	1.90	3.50

Conduit Box		Bearings		Mount
AA	AB	DE	ODE	
1.00	8.30	6308-ZZ/C3	6308-ZZ/C3	F1

BEARING LUBRICATION: The bearings come lubricated with Mobile Polyrex EM Polyurea Grease.





PC215T-10-4

CONVERTER

DESIGNED FOR USE WITH ROTARY PHASE CONVERTER UNITS

TOTALLY ENCLOSED FAN COOLED

SPIKE RESISTANT WIRE (2200V PEAK VOLTAGE SPIKE RATING)

Factory Certified for T2B Class I, Division II, Groups A,B,C & D and Class II, Division II, Groups F & G

PERFORMANCE DATA

HP	RPM	Frame	Voltage	Frequency (Hz)	Full Load S.F.	Insulation Class	NEMA Design	Slip (%)	NEMA Code	Enclosure Type	IP Rating	Max. Ambient
10	1740	215	208-230/460	60	1.15	F	B	3.3	H	TEFC	55	40° C

Amps (460V)		Efficiency (%)		Power Factor	Torque (ft-lb)			DE Bearing	ODE Bearing	Connection	Weight (lbs.)
FLA	LRA	NOM.	MIN.	0.84	FT-LB.	LRT %	BDT %	6308-ZZ/C3	6308-ZZ/C3	9 Lead 2Y/Y	165
12.3	81.0	91.7	90.2		30.2	230	270				

NAME PLATE

						CONVERTER TOTALLY ENCLOSED FAN COOLED SPIKE RESISTANT WIRE RATED FOR 2200V PEAK VOLTAGE SPIKES						CONNECTION DIAGRAMS		
CAT NO: PC215T-10-4		FRAME 215		HZ 60		PHASE 3					208 - 230V 			
HP 10		RPM 1740		IP RATING 55		ENCL TEFC								
VOLTS 208-230/460		AMPS 27.2-24.6/12.3		S.F. 1.15		INS F								
FLA 12.30		LRA 81.0		CODE H		DESIGN B					460V 			
NOM EFF. 91.70		P.F. 0.84		DE BEARING 6308-ZZ/C3										
MIN EFF. 90.20		SLIP 3.3%		ODE BEARING 6308-ZZ/C3										
MOTOR WEIGHT 165 LBS		CONNECTION 9 Lead 2Y/Y		SER										
Specifically designed for use with rotary phase converters.														
Hernando, MS 38632						www.naemotors.com								

APPLICATIONS:

Specifically designed for use as the converter component for rotary phase converters.