

OWP449T-150-6

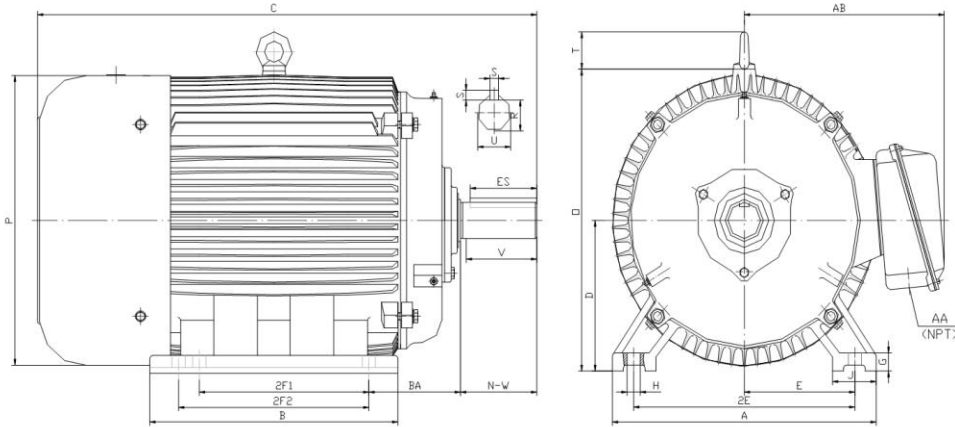
OIL WELL PUMP MOTOR

HIGH TORQUE / HIGH SLIP (5 - 8%)

TOTALLY ENCLOSED FAN COOLED

INVERTER DUTY 10:1 CONSTANT TORQUE - NEMA MG1 PART 31

Factory Certified for T2B Class I, Division II, Groups A,B,C & D and Class II, Division II, Groups F & G



DIMENSIONS

HP	RPM	Frame	MOUNTING														
			A	B	C	D	G	H	J	E	2E	2F1	2F2	O	P	T	BA
150	1200	449T	21.70	31.40	52.8	11.00	1.35	0.81	3.35	9.00	18.0	20.00	25.00	23.0	23.40	3.0	7.50

Shaft Extension, Key Set						Conduit Box		Bearings		Mount
U	V	R	S	ES	N-W	AA	AB	DE	ODE	
3.375	8.25	2.88	0.875	6.91	8.5	3	20	NU319	6318	F2

BEARING LUBRICATION: The bearings come lubricated with Mobil Polyrex EM Polyurea Grease. It is recommended that you add some additional lubrication when the motor is installed.

Three options (brands) for suitable lubrication include, but are not limited to, the following:

- 1.) Mobil Polyrex EM
- 2.) Citco Polyurea MP
- 3.) Conoco Phillips Polytac EP





OWP449T-150-6

OIL WELL PUMP MOTOR

HIGH TORQUE / HIGH SLIP (5 - 8%)

TOTALLY ENCLOSED FAN COOLED

INVERTER DUTY 10:1 CONSTANT TORQUE - NEMA MG1 PART 31

Factory Certified for T2B Class I, Division II, Groups A,B,C & D and Class II, Division II, Groups F & G

PERFORMANCE DATA

HP	RPM	Frame	Voltage	Frequency (Hz)	Full Load S.F.	Insulation Class	NEMA Design	Slip (%)	NEMA Code	Enclosure Type	IP Rating	Max. Ambient
150	1140	449T	460/796	60	1.15	F	D	5.0	G	TEFC	55	40° C

Amps (460V)		Efficiency (%)			Power Factor			Torque (ft-lb)			DE Bearing	DE Bearing	Connection	Weight (lbs.)	
FLA	LRA	100%	75%	50%	Min.	100%	75%	50%	FLT	LRT %	BDT %				
180.0	1085	93.2	92.8	93.5	91.7	0.88	0.82	0.70	690.0	275	300	NU319	6318	6 Lead Δ/Y	1980

NAME PLATE

North American Electric, Inc.						OIL WELL PUMP MOTOR						CONNECTION DIAGRAMS 460V 796V 					
INVERTER DUTY 10:1 CONSTANT TORQUE						NEMA DESIGN D HIGH TORQUE/HIGH SLIP (5-8%)											
CAT NO:		OWP449T-150-6		HP		150		Hz		60		PHASE		3			
VOLTS		460/796		FLA		180.0		IP RATING		55		RPM		1140			
RPM		1140		POWER FACTOR		0.88		DESIGN		D		FRAME		449T			
FRAME		449T		NEMA NOM EFF		93.2		CODE		G		DRIVE END BEARING		NU319			
DRIVE END BEARING		NU319		NEMA MIN EFF		91.7		S.F.		1.15		OPP DRIVE END BEARING		6318			
OPP DRIVE END BEARING		6318		MAX AMB		40° C		INS CLASS		F		ENCL		TEFC			
ENCL		TEFC		RATING		CONT		SER				MOTOR WEIGHT		1980 LBS			
MOTOR WEIGHT		1980 LBS		CONNECTION		6 Lead Δ/Y		LUB:		Mobil Polyrex EM							
Designed Specifically for use on Oil Well Pumping Units Hernando, Mississippi												CC 082A					

APPLICATIONS:

Designed Specifically for use on Oil Well Pumping Units. Suitable for use on Variable Frequency Drives (VFDs).