

OWP447T-125-6

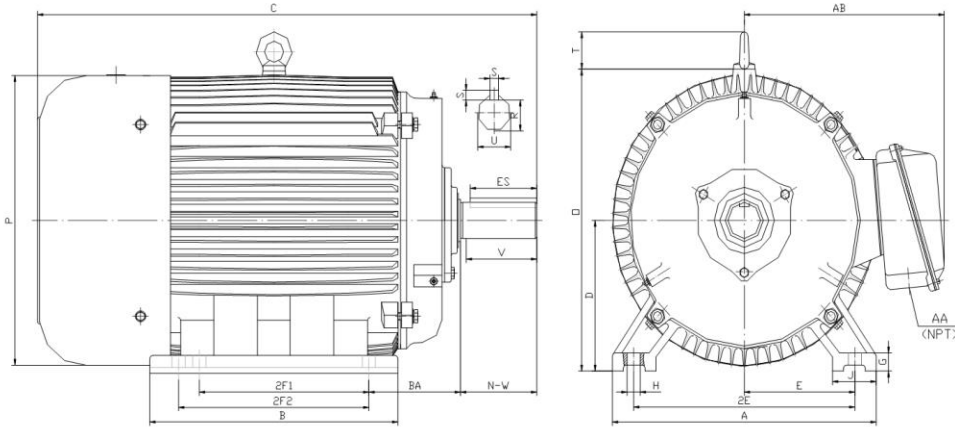
OIL WELL PUMP MOTOR

HIGH TORQUE / HIGH SLIP (5 - 8%)

TOTALLY ENCLOSED FAN COOLED

INVERTER DUTY 10:1 CONSTANT TORQUE - NEMA MG1 PART 31

Factory Certified for T2B Class I, Division II, Groups A,B,C & D and Class II, Division II, Groups F & G



DIMENSIONS

HP	RPM	Frame	MOUNTING														
			A	B	C	D	G	H	J	E	2E	2F1	2F2	O	P	T	BA
125	1200	447T	21.70	26.40	47.8	11.00	1.35	0.81	3.35	9.00	18.0	16.50	20.00	23.0	23.40	3.0	7.50

Shaft Extension, Key Set						Conduit Box		Bearings		Mount
U	V	R	S	ES	N-W	AA	AB	DE	ODE	
3.375	8.25	2.88	0.875	6.91	8.5	3	19	NU319	6318	F2

BEARING LUBRICATION: The bearings come lubricated with Mobil Polyrex EM Polyurea Grease. It is recommended that you add some additional lubrication when the motor is installed.

Three options (brands) for suitable lubrication include, but are not limited to, the following:

- 1.) Mobil Polyrex EM
- 2.) Citco Polyurea MP
- 3.) Conoco Phillips Polytac EP





OWP447T-125-6

OIL WELL PUMP MOTOR

HIGH TORQUE / HIGH SLIP (5 - 8%)

TOTALLY ENCLOSED FAN COOLED

INVERTER DUTY 10:1 CONSTANT TORQUE - NEMA MG1 PART 31

Factory Certified for T2B Class I, Division II, Groups A,B,C & D and Class II, Division II, Groups F & G

PERFORMANCE DATA

HP	RPM	Frame	Voltage	Frequency (Hz)	Full Load S.F.	Insulation Class	NEMA Design	Slip (%)	NEMA Code	Enclosure Type	IP Rating	Max. Ambient
125	1140	447T	460/796	60	1.15	F	D	5.0	G	TEFC	55	40° C

Amps (460V)		Efficiency (%)				Power Factor			Torque (ft-lb)			DE Bearing	DE Bearing	Connection	Weight (lbs.)
FLA	LRA	100%	75%	50%	Min.	100%	75%	50%	FLT	LRT %	BDT %				
147.0	907	92.5	92.5	93.0	91.0	0.88	0.82	0.70	575.0	275	300	NU319	6318	6 Lead Δ/Y	1850

NAME PLATE

		OIL WELL PUMP MOTOR				CONNECTION DIAGRAMS		
INVERTER DUTY 10:1 CONSTANT TORQUE		NEMA DESIGN D HIGH TORQUE/HIGH SLIP (5-8%)						
CAT NO:	OWP447T-125-6	HP	125	Hz	60	PHASE	3	
VOLTS	460/796	FLA	147.0	IP RATING	55		460V 	
RPM	1140	POWER FACTOR	0.88	DESIGN	D			
FRAME	447T	NEMA NOM EFF	92.5	CODE	G			
DRIVE END BEARING	NU319	NEMA MIN EFF	91.0	S.F.	1.15			
OPP DRIVE END BEARING	6318	MAX AMB	40° C	INS CLASS	F			
ENCL	TEFC	RATING	CONT	SER			796V 	
MOTOR WEIGHT	1850 LBS	CONNECTION	6 Lead Δ/Y	LUB:	Mobil Polyrex EM			
Designed Specifically for use on Oil Well Pumping Units Hernando, Mississippi								CC 082A

APPLICATIONS:

Designed Specifically for use on Oil Well Pumping Units. Suitable for use on Variable Frequency Drives (VFDs).