

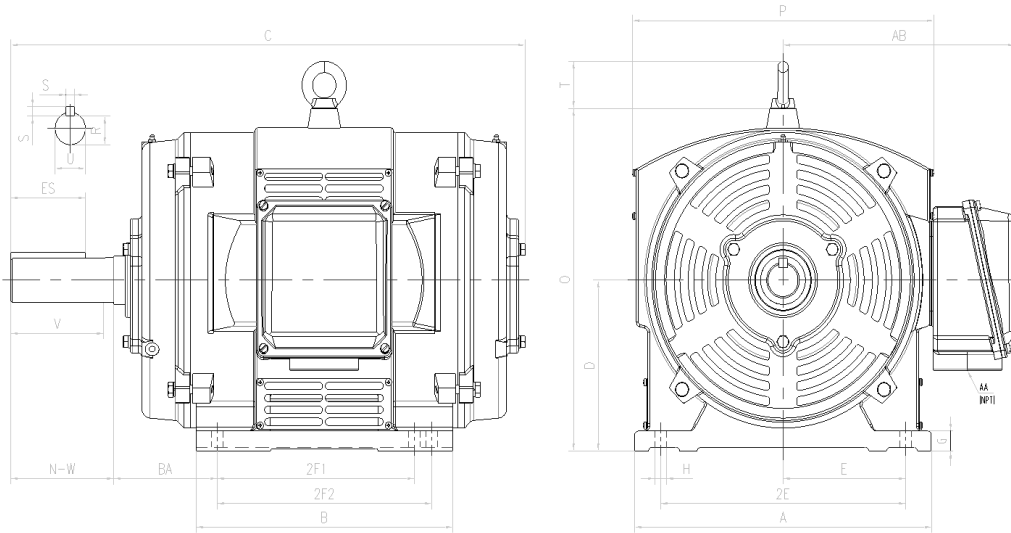
OWP444T-100-6-ODP

OIL WELL PUMP MOTOR

HIGH TORQUE / HIGH SLIP (5 - 8%)

OPEN DRIP PROOF

INVERTER DUTY 10:1 CONSTANT TORQUE - MEETS NEMA MG1 PART 31



DIMENSIONS

HP	RPM	Frame	MOUNTING														
			A	B	C	D	G	H	J	E	2E	2F1	2F2	O	P	T	BA
100	1200	444T	22.30	20.80	39.50	11.00	1.15	0.81	N/A	9.00	18.00	14.50	16.50	22.60	23.30	3.00	7.50

Shaft Extension, Key Set						Conduit Box		Bearings		Mount
U	V	R	S	ES	N-W	AA	AB	DE	ODE	
3.375	8.25	2.880	0.875	6.91	8.50	3.00	18.90	NU319	6318	F2

BEARING LUBRICATION: The bearings come lubricated with Mobil Polyrex EM Polyurea Grease. It is recommended that you add some additional lubrication when the motor is installed.

Three options (brands) for suitable lubrication include, but are not limited to, the following:

- 1.) Mobil Polyrex EM
- 2.) Citco Polyurea MP
- 3.) Conoco Phillips Polytac EP





OWP444T-100-6-ODP

OIL WELL PUMP MOTOR

HIGH TORQUE / HIGH SLIP (5 - 8%)

OPEN DRIP PROOF

INVERTER DUTY 10:1 CONSTANT TORQUE - MEETS NEMA MG1 PART 31

PERFORMANCE DATA

HP	RPM	Frame	Voltage	Frequency (Hz)	Full Load S.F.	Insulation Class	NEMA Design	Slip (%)	NEMA Code	Enclosure Type	IP Rating	Max. Ambient
100	1135	444T	230/460/796	60	1.15	F	D	5.4	G	ODP	23	40° C

Amps (460V)		Efficiency (%)				Power Factor			Torque (ft-lb)			DE Bearing	ODE Bearing	Connection	Weight (lbs.)
FLA	LRA	100%	75%	50%	Min.	100%	75%	50%	FLT	LRT %	BDT %	NU319	6318	12 Lead 2Δ/Δ/Y	1576
124.0	725.0	90.2	91.0	91.5	88.5	0.85	0.81	0.76	462.0	275	300				

NAME PLATE

North American Electric, Inc.						OIL WELL PUMP MOTOR						CONNECTION DIAGRAMS																	
INVERTER DUTY 10:1 CONSTANT TORQUE						NEMA DESIGN D HIGH TORQUE/HIGH SLIP (5-8%)																							
CAT NO:		OWP444T-100-6-ODP		HP		100		Hz		60		PHASE		3															
VOLTS		230/460/796		FLA		124.0		IP RATING		23		RPM		1135		POWER FACTOR		0.85		DESIGN		D							
FRAME		444T		NEMA NOM EFF		90.2		CODE		G		DRIVE END BEARING		NU319		NEMA MIN EFF		88.5		S.F.		1.15							
OPP DRIVE END BEARING		6318		MAX AMB		40° C		INS CLASS		F		ENCL		ODP		RATING		CONT		SER									
MOTOR WEIGHT		1576 LBS		CONNECTION		12 Lead 2Δ/Δ/Y		LUB:		Mobil Polyrex EM																			
Designed Specifically for use on Oil Well Pumping Units Hernando, Mississippi												CC 082A																	

APPLICATIONS:

Designed Specifically for use on Oil Well Pumping Units. Suitable for use on Variable Frequency Drives (VFDs).