

OWP324T-25-6

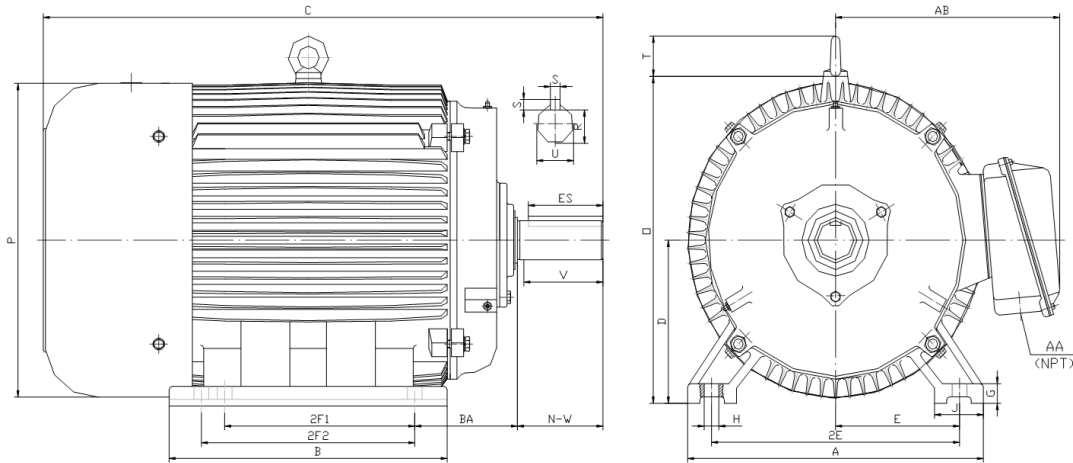
OIL WELL PUMP MOTOR

HIGH TORQUE / HIGH SLIP (5 - 8%)

TOTALLY ENCLOSED FAN COOLED

INVERTER DUTY 10:1 CONSTANT TORQUE - NEMA MG1 PART 31

Factory Certified for T2B Class I, Division II, Groups A,B,C & D and Class II, Division II, Groups F & G



DIMENSIONS

HP	RPM	Frame	MOUNTING														
			A	B	C	D	G	H	J	E	2E	2F1	2F2	O	P	T	BA
25	1200	324T	15.50	13.20	29.80	8.00	1.00	0.66	2.75	6.25	12.50	10.50	NA	15.90	15.70	2.60	5.25

Shaft Extension, Key Set						Conduit Box		Bearings		Mount
U	V	R	S	ES	N-W	AA	AB	DE	ODE	
2.125	5.00	1.845	0.500	3.91	5.25	2.00	12.30	6312	6312	F2

BEARING LUBRICATION: The bearings come lubricated with Mobil Polyrex EM Polyurea Grease. It is recommended that you add some additional lubrication when the motor is installed.

Three options (brands) for suitable lubrication include, but are not limited to, the following:

- 1.) Mobil Polyrex EM
- 2.) Citco Polyurea MP
- 3.) Conoco Phillips Polytac EP





OWP324T-25-6

OIL WELL PUMP MOTOR

HIGH TORQUE / HIGH SLIP (5 - 8%)

TOTALLY ENCLOSED FAN COOLED

INVERTER DUTY 10:1 CONSTANT TORQUE - NEMA MG1 PART 31

Factory Certified for T2B Class I, Division II, Groups A,B,C & D and Class II, Division II, Groups F & G

PERFORMANCE DATA

HP	RPM	Frame	Voltage	Frequency (Hz)	Full Load S.F.	Insulation Class	NEMA Design	Slip (%)	NEMA Code	Enclosure Type	IP Rating	Max. Ambient
25	1120	324T	230/460/796	60	1.15	F	D	6.7	G	TEFC	55	40° C

Amps (460V)		Efficiency (%)				Power Factor			Torque (ft-lb)			DE Bearing	DE Bearing	Connection	Weight (lbs.)
FLA	LRA	100%	75%	50%	Min.	100%	75%	50%	FLT	LRT %	BDT %				
32.2	182.0	86.0	86.2	85.7	84.0	0.85	0.76	0.60	117.3	300	310	6312	6312	12 Lead 2Δ/Δ/Y	510

NAME PLATE

North American Electric, Inc. OIL WELL PUMP MOTOR						CONNECTION DIAGRAMS							
INVERTER DUTY 10:1 CONSTANT TORQUE						NEMA DESIGN D HIGH TORQUE/HIGH SLIP (5-8%)							
CAT NO:		OWP324T-25-6		HP	25	Hz	60	PHASE	3				
VOLTS		230/460/796		FLA	32.2		IP RATING		55				
RPM	1120	POWER FACTOR		0.85		DESIGN		D					
FRAME	324T	NEMA NOM EFF		86.0		CODE		G					
DRIVE END BEARING	6312	NEMA MIN EFF		84.0		S.F.		1.15					
OPP DRIVE END BEARING	6312	MAX AMB		40° C		INS CLASS		F					
ENCL	TEFC	RATING	CONT	SER									
MOTOR WEIGHT	510 LBS	CONNECTION		12 Lead 2Δ/Δ/Y		LUB:		Mobil Polyrex EM					
Designed Specifically for use on Oil Well Pumping Units Hernando, Mississippi												CC 082A	

APPLICATIONS:

Designed Specifically for use on Oil Well Pumping Units. Suitable for use on Variable Frequency Drives (VFDs).