

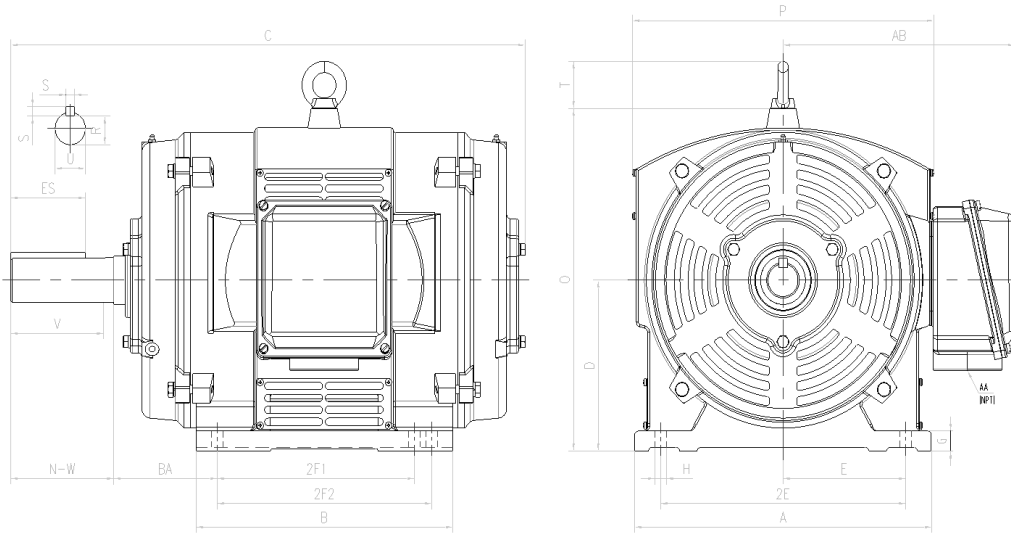
**OWP324T-25-6-ODP**

**OIL WELL PUMP MOTOR**

**HIGH TORQUE / HIGH SLIP (5 - 8%)**

**OPEN DRIP PROOF**

**INVERTER DUTY 10:1 CONSTANT TORQUE - MEETS NEMA MG1 PART 31**



**DIMENSIONS**

HP	RPM	Frame	MOUNTING														
			A	B	C	D	G	H	J	E	2E	2F1	2F2	O	P	T	BA
25	1200	324T	14.60	13.95	27.10	8.00	0.85	0.66	N/A	6.25	12.50	10.50	12.00	16.10	15.35	2.60	5.25

Shaft Extension, Key Set						Conduit Box		Bearings		Mount
U	V	R	S	ES	N-W	AA	AB	DE	ODE	
2.125	5.00	1.845	0.500	3.91	5.25	2.00	11.40	6312	6312	F2

**BEARING LUBRICATION:** The bearings come lubricated with Mobil Polyrex EM Polyurea Grease. It is recommended that you add some additional lubrication when the motor is installed.

Three options (brands) for suitable lubrication include, but are not limited to, the following:

- 1.) Mobil Polyrex EM
- 2.) Citco Polyurea MP
- 3.) Conoco Phillips Polytac EP





## OWP324T-25-6-ODP

**OIL WELL PUMP MOTOR**

**HIGH TORQUE / HIGH SLIP (5 - 8%)**

**OPEN DRIP PROOF**

**INVERTER DUTY 10:1 CONSTANT TORQUE - MEETS NEMA MG1 PART 31**

### PERFORMANCE DATA

HP	RPM	Frame	Voltage	Frequency (Hz)	Full Load S.F.	Insulation Class	NEMA Design	Slip (%)	NEMA Code	Enclosure Type	IP Rating	Max. Ambient
25	1125	324T	230/460/796	60	1.15	F	D	6.3	G	ODP	23	40° C

Amps (460V)		Efficiency (%)				Power Factor			Torque (ft-lb)			DE Bearing	ODE Bearing	Connection	Weight (lbs.)
FLA	LRA	100%	75%	50%	Min.	100%	75%	50%	FLT	LRT %	BDT %	6312	6312	12 Lead 2Δ/Δ/Y	466
34.0	182.0	86.5	87.5	88.0	84.0	0.80	0.75	0.63	116.8	295	310				

### NAME PLATE

<b>North American Electric, Inc.</b>						<b>OIL WELL PUMP MOTOR</b>						<b>CONNECTION DIAGRAMS</b>									
<b>INVERTER DUTY 10:1 CONSTANT TORQUE</b>						<b>NEMA DESIGN D HIGH TORQUE/HIGH SLIP (5-8%)</b>															
CAT NO:		OWP324T-25-6-ODP		HP		25		Hz		60		PHASE		3							
VOLTS		230/460/796		FLA		34.0		IP RATING		23											
RPM		1125		POWER FACTOR		0.80		DESIGN		D											
FRAME		324T		NEMA NOM EFF		86.5		CODE		G											
DRIVE END BEARING		6312		NEMA MIN EFF		84.0		S.F.		1.15											
OPP DRIVE END BEARING		6312		MAX AMB		40° C		INS CLASS		F											
ENCL		ODP		RATING		CONT		SER													
MOTOR WEIGHT		466 LBS		CONNECTION		12 Lead 2Δ/Δ/Y		LUB:		Mobil Polyrex EM											
Designed Specifically for use on Oil Well Pumping Units Hernando, Mississippi												CC 082A									

### APPLICATIONS:

Designed Specifically for use on Oil Well Pumping Units. Suitable for use on Variable Frequency Drives (VFDs).