

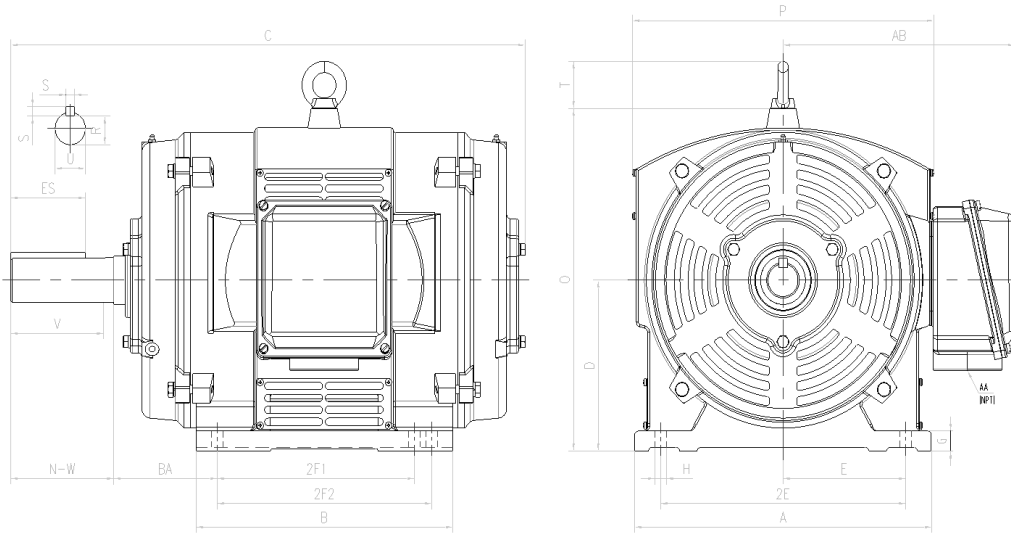
**OWP286T-20-6-ODP**

**OIL WELL PUMP MOTOR**

**HIGH TORQUE / HIGH SLIP (5 - 8%)**

**OPEN DRIP PROOF**

**INVERTER DUTY 10:1 CONSTANT TORQUE - MEETS NEMA MG1 PART 31**



**DIMENSIONS**

HP	RPM	Frame	MOUNTING														
			A	B	C	D	G	H	J	E	2E	2F1	2F2	O	P	T	BA
20	1200	286T	13.00	12.80	24.80	7.00	0.70	0.53	N/A	5.50	11.00	9.50	11.00	14.30	13.95	2.20	4.75

Shaft Extension, Key Set						Conduit Box		Bearings		Mount
U	V	R	S	ES	N-W	AA	AB	DE	ODE	
1.875	4.38	1.591	0.500	3.28	4.62	1.50	10.10	6311	6311	F2

**BEARING LUBRICATION:** The bearings come lubricated with Mobil Polyrex EM Polyurea Grease. It is recommended that you add some additional lubrication when the motor is installed.

Three options (brands) for suitable lubrication include, but are not limited to, the following:

- 1.) Mobil Polyrex EM
- 2.) Citco Polyurea MP
- 3.) Conoco Phillips Polytac EP





## OWP286T-20-6-ODP

**OIL WELL PUMP MOTOR**

**HIGH TORQUE / HIGH SLIP (5 - 8%)**

**OPEN DRIP PROOF**

**INVERTER DUTY 10:1 CONSTANT TORQUE - MEETS NEMA MG1 PART 31**

### PERFORMANCE DATA

HP	RPM	Frame	Voltage	Frequency (Hz)	Full Load S.F.	Insulation Class	NEMA Design	Slip (%)	NEMA Code	Enclosure Type	IP Rating	Max. Ambient
20	1130	286T	230/460/796	60	1.15	F	D	5.8	G	ODP	23	40° C

Amps (460V)		Efficiency (%)				Power Factor			Torque (ft-lb)			DE Bearing	ODE Bearing	Connection	Weight (lbs.)
FLA	LRA	100%	75%	50%	Min.	100%	75%	50%	FLT	LRT %	BDT %	6311	6311	12 Lead 2Δ/Δ/Y	370
28.0	145.0	85.5	86.0	85.5	82.5	0.80	0.73	0.61	93.0	285	310				

### NAME PLATE

<b>Oil Well Pump Motor</b> INVERTER DUTY 10:1 CONSTANT TORQUE NEMA DESIGN D HIGH TORQUE/HIGH SLIP (5-8%)						<b>CONNECTION DIAGRAMS</b> <b>230V</b> 				
CAT NO:	OWP286T-20-6-ODP	HP	20	Hz	60	PHASE	3	<b>460V</b> 		
VOLTS	230/460/796	FLA	28.0	IP RATING	23	<b>796V</b> 				
RPM	1130	POWER FACTOR	0.80	DESIGN	D					
FRAME	286T	NEMA NOM EFF	85.5	CODE	G					
DRIVE END BEARING	6311	NEMA MIN EFF	82.5	S.F.	1.15					
OPP DRIVE END BEARING	6311	MAX AMB	40° C	INS CLASS	F					
ENCL	ODP	RATING	CONT	SER						
MOTOR WEIGHT	370 LBS	CONNECTION	12 Lead 2Δ/Δ/Y	LUB:	Mobil Polyrex EM					
Designed Specifically for use on Oil Well Pumping Units Hernando, Mississippi CC 082A										

### APPLICATIONS:

Designed Specifically for use on Oil Well Pumping Units. Suitable for use on Variable Frequency Drives (VFDs).