

## OWP256T-7.5-8

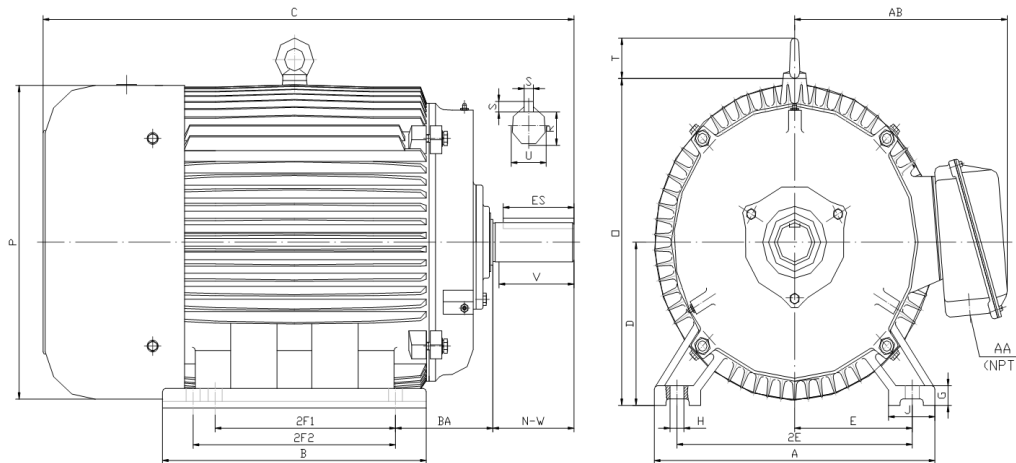
OIL WELL PUMP MOTOR

HIGH TORQUE / HIGH SLIP (5 - 8%)

TOTALLY ENCLOSED FAN COOLED

INVERTER DUTY 10:1 CONSTANT TORQUE - NEMA MG1 PART 31

Factory Certified for T2B Class I, Division II, Groups A,B,C & D and Class II, Division II, Groups F & G



### DIMENSIONS

HP	RPM	Frame	MOUNTING														
			A	B	C	D	G	H	J	E	2E	2F1	2F2	O	P	T	BA
7.5	850	256T	13.00	12.20	25.00	6.25	0.70	0.53	2.75	5.00	10.00	8.25	10.00	13.00	12.40	2.20	4.25

Shaft Extension, Key Set						Conduit Box		Bearings		Mount
U	V	R	S	ES	N-W	AA	AB	DE	ODE	
1.625	3.75	1.416	0.375	2.91	4.00	1.25	10.10	6309	6309	F2

**BEARING LUBRICATION:** The bearings come lubricated with Mobil Polyrex EM Polyurea Grease. It is recommended that you add some additional lubrication when the motor is installed.

Three options (brands) for suitable lubrication include, but are not limited to, the following:

- 1.) Mobil Polyrex EM
- 2.) Citco Polyurea MP
- 3.) Conoco Phillips Polytac EP





## OWP256T-7.5-8

**OIL WELL PUMP MOTOR**

**HIGH TORQUE / HIGH SLIP (5 - 8%)**

**TOTALLY ENCLOSED FAN COOLED**

**INVERTER DUTY 10:1 CONSTANT TORQUE - NEMA MG1 PART 31**

Factory Certified for T2B Class I, Division II, Groups A,B,C & D and Class II, Division II, Groups F & G

### PERFORMANCE DATA

HP	RPM	Frame	Voltage	Frequency (Hz)	Full Load S.F.	Insulation Class	NEMA Design	Slip (%)	NEMA Code	Enclosure Type	IP Rating	Max. Ambient
7.5	850	256T	230/460/796	60	1.15	F	D	5.6	H	TEFC	55	40° C

Amps (460V)		Efficiency (%)			Power Factor			Torque (ft-lb)			DE Bearing	DE Bearing	Connection	Weight (lbs.)	
FLA	LRA	100%	75%	50%	Min.	100%	75%	50%	FLT	LRT %	BDT %				
12.5	63.0	82.5	83.0	81.5	80.0	0.68	0.58	0.45	47.0	295	300	6309	6309	12 Lead 2Δ/Δ/Y	235

### NAME PLATE

<b>North American Electric, Inc. OIL WELL PUMP MOTOR</b>						<b>CONNECTION DIAGRAMS</b>						
<b>INVERTER DUTY 10:1 CONSTANT TORQUE</b>						<b>NEMA DESIGN D HIGH TORQUE/HIGH SLIP (5-8%)</b>						
CAT NO:		OWP256T-7.5-8		HP	7.5	Hz	60	PHASE	3			
VOLTS	230/460/796		FLA	12.5		IP RATING	55					
RPM	850		POWER FACTOR	0.68		DESIGN	D					
FRAME	256T		NEMA NOM EFF	82.5		CODE	H					
DRIVE END BEARING	6309		NEMA MIN EFF	80.0		S.F.	1.15					
OPP DRIVE END BEARING	6309		MAX AMB	40° C		INS CLASS	F					
ENCL	TEFC		RATING	CONT	SER							
MOTOR WEIGHT	235 LBS		CONNECTION	12 Lead 2Δ/Δ/Y		LUB:	Mobil Polyrex EM					
Designed Specifically for use on Oil Well Pumping Units Hernando, Mississippi									CC 082A			

### APPLICATIONS:

Designed Specifically for use on Oil Well Pumping Units. Suitable for use on Variable Frequency Drives (VFDs).