

OWP254T-7.5-6

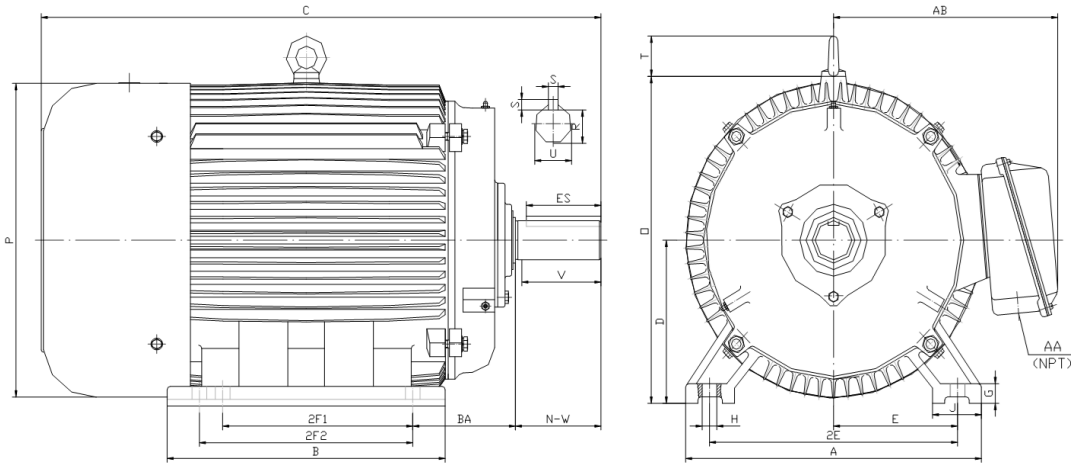
OIL WELL PUMP MOTOR

HIGH TORQUE / HIGH SLIP (5 - 8%)

TOTALLY ENCLOSED FAN COOLED

INVERTER DUTY 10:1 CONSTANT TORQUE - NEMA MG1 PART 31

Factory Certified for T2B Class I, Division II, Groups A,B,C & D and Class II, Division II, Groups F & G



DIMENSIONS

HP	RPM	Frame	MOUNTING														
			A	B	C	D	G	H	J	E	2E	2F1	2F2	O	P	T	BA
7.5	1200	254T	13.00	10.45	23.20	6.25	0.70	0.53	2.75	5.00	10.00	8.25	NA	13.00	12.40	2.20	4.25

Shaft Extension, Key Set						Conduit Box		Bearings		Mount
U	V	R	S	ES	N-W	AA	AB	DE	ODE	
1.625	3.75	1.416	0.375	2.91	4.00	1.25	10.10	6309	6309	F2

BEARING LUBRICATION: The bearings come lubricated with Mobil Polyrex EM Polyurea Grease. It is recommended that you add some additional lubrication when the motor is installed.

Three options (brands) for suitable lubrication include, but are not limited to, the following:

- 1.) Mobil Polyrex EM
- 2.) Citco Polyurea MP
- 3.) Conoco Phillips Polytac EP





OWP254T-7.5-6

OIL WELL PUMP MOTOR

HIGH TORQUE / HIGH SLIP (5 - 8%)

TOTALLY ENCLOSED FAN COOLED

INVERTER DUTY 10:1 CONSTANT TORQUE - NEMA MG1 PART 31

Factory Certified for T2B Class I, Division II, Groups A,B,C & D and Class II, Division II, Groups F & G

PERFORMANCE DATA

HP	RPM	Frame	Voltage	Frequency (Hz)	Full Load S.F.	Insulation Class	NEMA Design	Slip (%)	NEMA Code	Enclosure Type	IP Rating	Max. Ambient
7.5	1125	254T	230/460/796	60	1.15	F	D	6.3	H	TEFC	55	40° C

Amps (460V)		Efficiency (%)				Power Factor			Torque (ft-lb)			DE Bearing	DE Bearing	Connection	Weight (lbs.)
FLA	LRA	100%	75%	50%	Min.	100%	75%	50%	FLT	LRT %	BDT %	6309	6309	12 Lead 2Δ/Δ/Y	220
10.8	63.0	84.5	85.0	84.2	81.5	0.78	0.70	0.55	34.9	280	295				

NAME PLATE

North American Electric, Inc. OIL WELL PUMP MOTOR										CONNECTION DIAGRAMS					
INVERTER DUTY 10:1 CONSTANT TORQUE										230V					
NEMA DESIGN D HIGH TORQUE/HIGH SLIP (5-8%)															
CAT NO:		OWP254T-7.5-6		HP		7.5		Hz		60		PHASE		3	
VOLTS		230/460/796		FLA		10.8		IP RATING		55					
RPM		1125		POWER FACTOR		0.78		DESIGN		D					
FRAME		254T		NEMA NOM EFF		84.5		CODE		H					
DRIVE END BEARING		6309		NEMA MIN EFF		81.5		S.F.		1.15					
OPP DRIVE END BEARING		6309		MAX AMB		40° C		INS CLASS		F					
ENCL		TEFC		RATING		CONT		SER							
MOTOR WEIGHT		220 LBS		CONNECTION		12 Lead 2Δ/Δ/Y		LUB:		Mobil Polyrex EM					
Designed Specifically for use on Oil Well Pumping Units Hernando, Mississippi										460V					
CC 082A															
										796V					

APPLICATIONS:

Designed Specifically for use on Oil Well Pumping Units. Suitable for use on Variable Frequency Drives (VFDs).