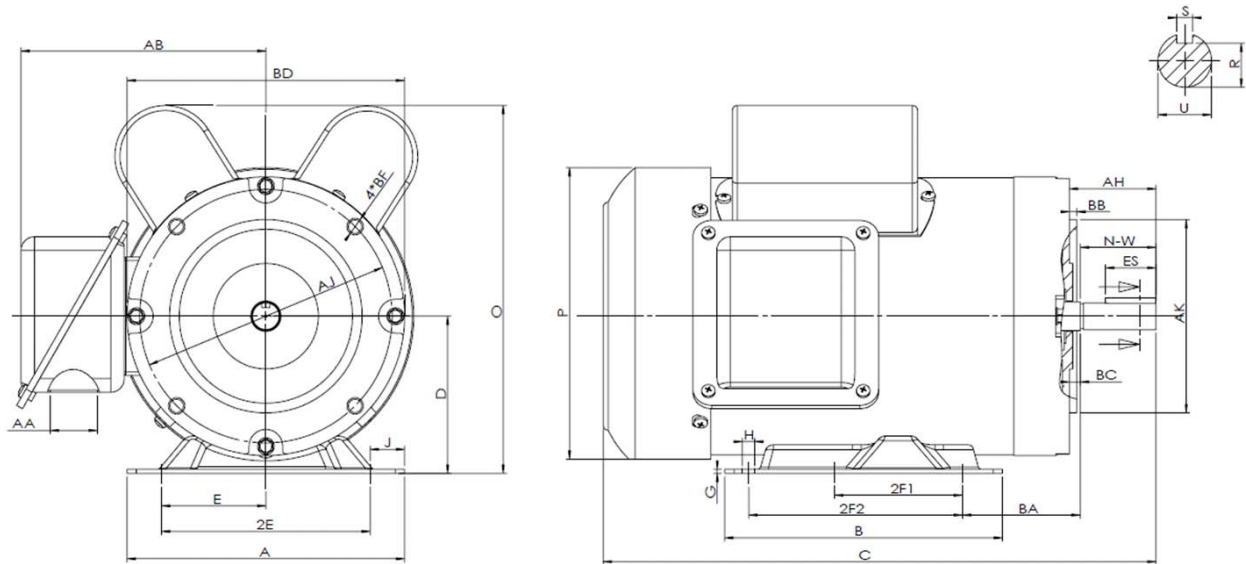


**F56CH2S2C**

GENERAL PURPOSE ELECTRIC MOTOR  
 SINGLE PHASE - CAPACITOR START / CAPACITOR RUN  
 ROLLED STEEL CONSTRUCTION  
 TOTALLY ENCLOSED FAN COOLED



**DIMENSIONS**

HP	RPM	Frame	MOUNTING														
			A	B	C	D	G	H	J	E	2E	2F1	2F2	O	P	T	BA
2	3600	56CH	6.5	6.5	12.5	3.5	0.12	0.34	0.81	2.44	4.88	3	5	7.99	6.82	NA	2.75

FLANGE							Shaft Extension, Key Set						
AH	AJ	AK	BB	BC	BD	BF	U	V	R	S	ES	N-W	
2.06	5.875	4.5	0.16	0.19	6.46	4*3/8-16	0.625	NA	0.517	0.188	1.41	1.88	

Conduit Box		Bearings		Mount
AA	AB	DE	ODE	
1.1	5.75	6203-2RZC3	6203-2RZC3	F1

**BEARING LUBRICATION:** The bearings come lubricated with Mobil Polyrex EM Polyurea Grease.



## F56CH2S2C

**GENERAL PURPOSE ELECTRIC MOTOR**  
**SINGLE PHASE - CAPACITOR START / CAPACITOR RUN**  
**ROLLED STEEL CONSTRUCTION**  
**TOTALLY ENCLOSED FAN COOLED**

### PERFORMANCE DATA

HP	RPM	Frame	Voltage	Frequency (Hz)	Full Load S.F.	Insulation Class	NEMA Design	Slip (%)	NEMA Code	Enclosure Type	IP Rating	Max. Ambient
2	3510	56CH	115/208-230V	60	1.15	F	L	2.5	H	TEFC	IP55	40°C

Amps (230V)		Efficiency (%)			Power Factor			Torque (ft-lb)			DE Bearing	ODE Bearing	Connection	Weight (lbs.)
FLA	LRA	100%	75%	50%	100%	75%	50%	FLT	LRT %	BDT %				
7.96	58.9	82.3	80.6	74.8	0.99	0.99	0.99	4.07	265	301	6203-2RZC3	6203-2RZC3	6 Lead	43

### NAME PLATE

		<b>GENERAL PURPOSE</b> <b>HIGH STARTING TORQUE</b> <b>SINGLE PHASE ELECTRIC MOTOR</b> <b>TOTALLY ENCLOSED FAN COOLED</b>	
MODEL	F56CH2S2C	HP	2
FRAME	56CH	ENCL	TEFC
RPM	3510	CODE	H
DESIGN	L	CLASS	F
DE BRG	6203-2RZC3	ODE BRG	6203-2RZC3
VOLT	115/208-230V	LBS	43
AMPS	15.92/8.8-7.96	DUTY	CONT
S.F. AMPS	18.3/10.39-9.14	MAX AMB	40°C
SERIAL NUMBER			
Hernando, MS www.naemotors.com			