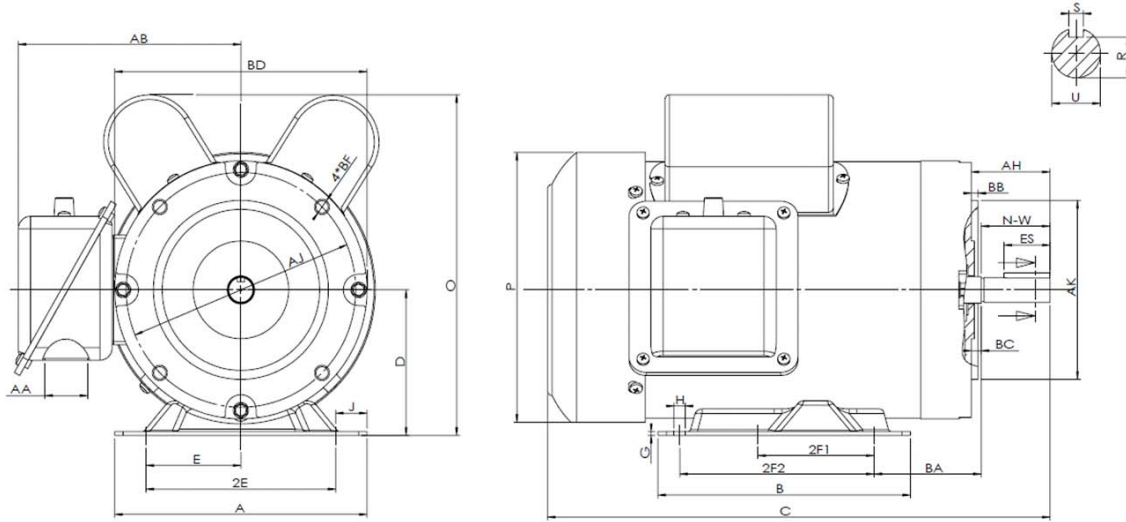


### F56CH1.5S4C-MO

FARM DUTY ELECTRIC MOTOR  
 HIGH STARTING TORQUE - MANUAL OVERLOAD  
 SINGLE PHASE - CAPACITOR START / CAPACITOR RUN  
 ROLLED STEEL CONSTRUCTION  
 TOTALLY ENCLOSED FAN COOLED



#### DIMENSIONS

HP	RPM	Frame	MOUNTING														
			A	B	C	D	G	H	J	E	2E	2F1	2F2	O	P	T	BA
1.5	1800	56CH	6.5	6.5	12.5	3.5	0.12	0.34	0.81	2.44	4.88	3	5	7.99	6.82	NA	2.75

FLANGE							Shaft Extension, Key Set						
AH	AJ	AK	BB	BC	BD	BF	U	V	R	S	ES	N-W	
2.06	5.875	4.5	0.16	0.19	6.46	4*3/8-16	0.625	NA	0.517	0.188	1.41	1.88	

Conduit Box		Bearings		Mount
AA	AB	DE	ODE	
1.1	5.75	6203-2RZC3	6203-2RZC3	F1

**BEARING LUBRICATION:** The bearings come lubricated with Mobil Polyrex EM Polyurea Grease.



## F56CH1.5S4C-MO

**FARM DUTY ELECTRIC MOTOR**  
**HIGH STARTING TORQUE - MANUAL OVERLOAD**  
**SINGLE PHASE - CAPACITOR START / CAPACITOR RUN**  
**ROLLED STEEL CONSTRUCTION**  
**TOTALLY ENCLOSED FAN COOLED**

### PERFORMANCE DATA

HP	RPM	Frame	Voltage	Frequency (Hz)	Full Load S.F.	Insulation Class	NEMA Design	Slip (%)	NEMA Code	Enclosure Type	IP Rating	Max. Ambient
1.5	1750	56CH	115/208-230V	60	1.15	F	L	2.8	J	TEFC	IP55	40°C

Amps (230V)		Efficiency (%)			Power Factor			Torque (ft-lb)			DE Bearing	ODE Bearing	Connection	Weight (lbs.)
FLA	LRA	100%	75%	50%	100%	75%	50%	FLT	LRT %	BDT %				
6.2	45.6	81.7	78.5	71.5	0.96	0.95	0.92	6.12	280	260	6203-2RZC3	6203-2RZC3	5 Lead/P1,P2	44

### NAME PLATE

<b>North American Electric, Inc.</b>		<b>FARM DUTY</b>																																																	
		<b>HIGH STARTING TORQUE</b>																																																	
<b>SINGLE PHASE ELECTRIC MOTOR</b>		<b>MANUAL OVERLOAD</b>																																																	
MODEL	F56CH1.5S4C-MO	HP	1.5																																																
FRAME	56CH	ENCL	TEFC																																																
RPM	1750	CODE	J																																																
DESIGN	L	CLASS	F																																																
DE BRG	6203-2RZC3	ODE BRG	6203-2RZC3																																																
VOLT	115/208-230V	LBS	44																																																
AMPS	12.41/6.86-6.2	DUTY	CONT																																																
S.F. AMPS	14.21/8.11-7.09	MAX AMB	40°C																																																
SERIAL NUMBER																																																			
115V LOW VOLTAGE <table border="0"> <tr> <td>CCW</td> <td>L1</td> <td>CW</td> </tr> <tr> <td>(P1)</td> <td></td> <td>(P1)</td> </tr> <tr> <td>(P2)</td> <td></td> <td>(P2)</td> </tr> <tr> <td>(T3)</td> <td></td> <td>(T3)</td> </tr> <tr> <td>(T8)</td> <td></td> <td>(T8)</td> </tr> <tr> <td>(T2)</td> <td></td> <td>(T2)</td> </tr> <tr> <td>(T4)</td> <td></td> <td>(T4)</td> </tr> <tr> <td>(T5)</td> <td></td> <td>(T5)</td> </tr> </table>		CCW	L1	CW	(P1)		(P1)	(P2)		(P2)	(T3)		(T3)	(T8)		(T8)	(T2)		(T2)	(T4)		(T4)	(T5)		(T5)	208-230V HIGH VOLTAGE <table border="0"> <tr> <td>CCW</td> <td>L1</td> <td>CW</td> </tr> <tr> <td>(P1)</td> <td></td> <td>(P1)</td> </tr> <tr> <td>(P2)</td> <td></td> <td>(P2)</td> </tr> <tr> <td>(T3)</td> <td></td> <td>(T3)</td> </tr> <tr> <td>(T8)</td> <td></td> <td>(T8)</td> </tr> <tr> <td>(T2)</td> <td></td> <td>(T2)</td> </tr> <tr> <td>(T4)</td> <td></td> <td>(T4)</td> </tr> <tr> <td>(T5)</td> <td></td> <td>(T5)</td> </tr> </table>		CCW	L1	CW	(P1)		(P1)	(P2)		(P2)	(T3)		(T3)	(T8)		(T8)	(T2)		(T2)	(T4)		(T4)	(T5)		(T5)
CCW	L1	CW																																																	
(P1)		(P1)																																																	
(P2)		(P2)																																																	
(T3)		(T3)																																																	
(T8)		(T8)																																																	
(T2)		(T2)																																																	
(T4)		(T4)																																																	
(T5)		(T5)																																																	
CCW	L1	CW																																																	
(P1)		(P1)																																																	
(P2)		(P2)																																																	
(T3)		(T3)																																																	
(T8)		(T8)																																																	
(T2)		(T2)																																																	
(T4)		(T4)																																																	
(T5)		(T5)																																																	
HERNANDO, MS www.naemotors.com																																																			
ISO9001 CERTIFIED																																																			
CE																																																			
SIB US																																																			