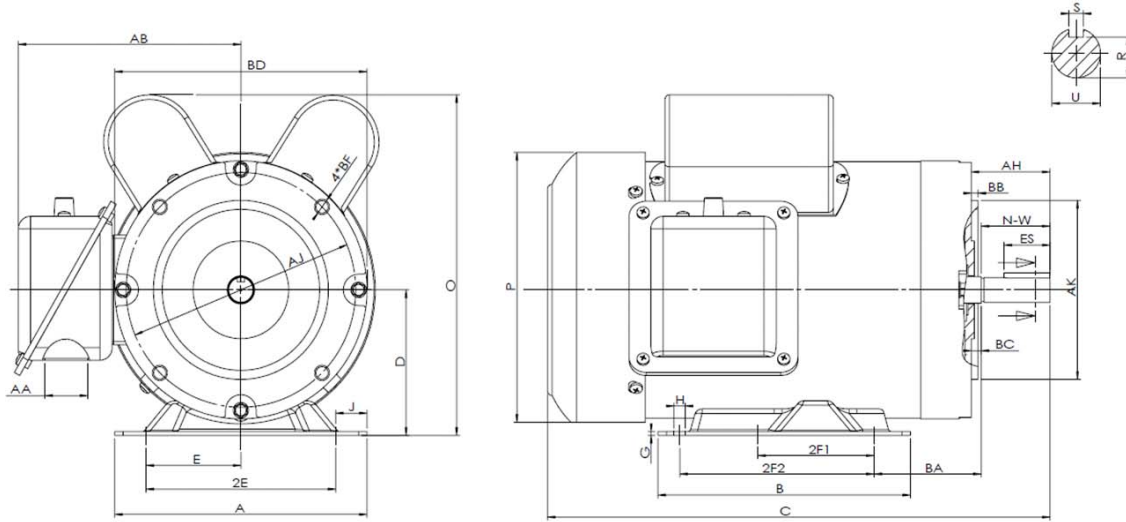


## F56C1/3S4C-MO

FARM DUTY ELECTRIC MOTOR  
 HIGH STARTING TORQUE - MANUAL OVERLOAD  
 SINGLE PHASE - CAPACITOR START / CAPACITOR RUN  
 ROLLED STEEL CONSTRUCTION  
 TOTALLY ENCLOSED FAN COOLED



### DIMENSIONS

HP	RPM	Frame	MOUNTING														
			A	B	C	D	G	H	J	E	2E	2F1	2F2	O	P	T	BA
1/3	1800	56C	6.3	4	10.7	3.5	0.12	0.34	0.71	2.44	4.88	3	NA	7.99	6.82	NA	2.75

FLANGE							Shaft Extension, Key Set						
AH	AJ	AK	BB	BC	BD	BF	U	V	R	S	ES	N-W	
2.06	5.875	4.5	0.16	0.19	6.46	4*3/8-16	0.625	NA	0.517	0.188	1.41	1.88	

Conduit Box		Bearings		Mount
AA	AB	DE	ODE	
1.1	5.75	6203-2RZC3	6203-2RZC3	F1

**BEARING LUBRICATION:** The bearings come lubricated with Mobil Polyrex EM Polyurea Grease.



## F56C1/3S4C-MO

**FARM DUTY ELECTRIC MOTOR**  
**HIGH STARTING TORQUE - MANUAL OVERLOAD**  
**SINGLE PHASE - CAPACITOR START / CAPACITOR RUN**  
**ROLLED STEEL CONSTRUCTION**  
**TOTALLY ENCLOSED FAN COOLED**

### PERFORMANCE DATA

HP	RPM	Frame	Voltage	Frequency (Hz)	Full Load S.F.	Insulation Class	NEMA Design	Slip (%)	NEMA Code	Enclosure Type	IP Rating	Max. Ambient
1/3	1770	56C	115/208-230V	60	1.15	F	N	1.7	M	TEFC	IP55	40°C

Amps (230V)		Efficiency (%)			Power Factor			Torque (ft-lb)			DE Bearing	ODE Bearing	Connection	Weight (lbs.)
FLA	LRA	100%	75%	50%	100%	75%	50%	FLT	LRT %	BDT %				
1.96	14.7	65	58	47.7	0.84	0.79	0.72	1.35	340	403	6203-2RZC3	6203-2RZC3	5 Lead/P1,P2	22

### NAME PLATE

		<b>FARM DUTY</b>	
<b>SINGLE PHASE ELECTRIC MOTOR</b>		<b>HIGH STARTING TORQUE MANUAL OVERLOAD</b>	
MODEL	F56C1/3S4C-MO	HP	1/3
FRAME	56C	ENCL	TEFC
RPM	1770	PH	1
DESIGN	N	CODE	M
		HZ	60
		CLASS	F
		S.F.	1.15
DE BRG	6203-2RZC3	ODE BRG	6203-2RZC3
VOLT	115/208-230V	LBS	22
AMPS	3.92/2.17-1.96	DUTY	CONT
S.F. AMPS	4.07/2.05-2.11	MAX AMB	40°C
SERIAL NUMBER			
115V LOW VOLTAGE CCW CW P1 L1 P1 P2 P2 T3 T3 T8 T8 T2 T2 T4 T4 T5 T5 L2 L2		208-230V HIGH VOLTAGE CCW CW P1 L1 P1 P2 P2 T3 T3 T8 T8 T2 T2 T4 T4 T5 T5 L2 L2	
Hernando, MS www.naemotors.com			
ISO9001 CERTIFIED			