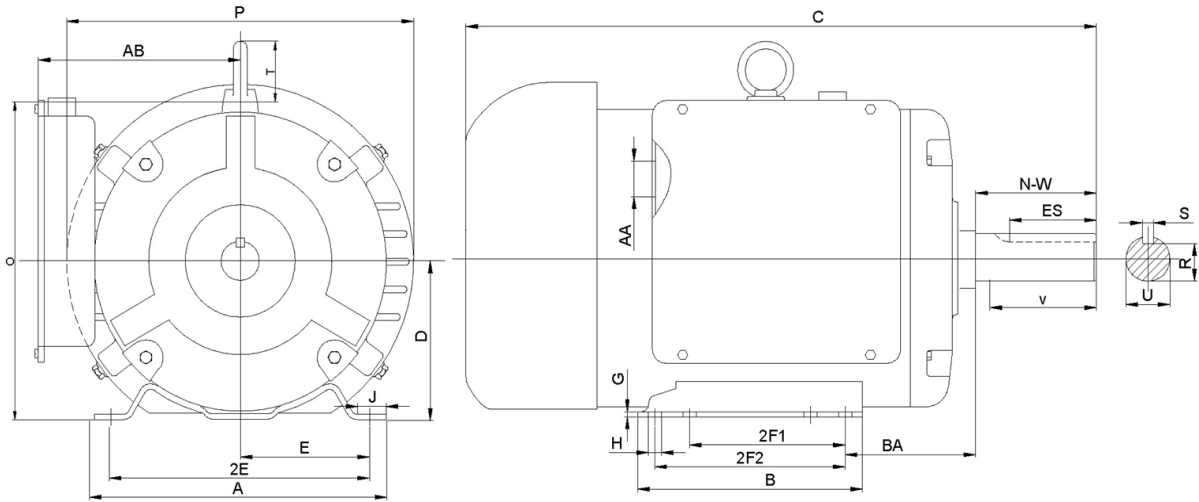


### F184T5S4C-MO

FARM DUTY ELECTRIC MOTOR  
 HIGH STARTING TORQUE - MANUAL OVERLOAD  
 SINGLE PHASE - CAPACITOR START / CAPACITOR RUN  
 ROLLED STEEL CONSTRUCTION  
 TOTALLY ENCLOSED FAN COOLED



DIMENSIONS																	
HP	RPM	Frame	MOUNTING														
			A	B	C	D	G	H	J	E	2E	2F1	2F2	O	P	T	BA
5	1800	184T	8.5	6.5	17.87	4.5	0.16	0.41	0.95	3.75	7.5	4.5	5.5	9.15	10.12	1.97	2.75

Shaft Extension, Key Set						Conduit Box		Bearings		Mount
U	V	R	S	ES	N-W	AA	AB	DE	ODE	
1.125	2.50	0.986	0.250	1.78	2.75	1.1	6.81	6206-2RZC3	6205-2RZC3	F1

**BEARING LUBRICATION:** The bearings come lubricated with Mobil Polyrex EM Polyurea Grease.



## F184T5S4C-MO

**FARM DUTY ELECTRIC MOTOR**  
**HIGH STARTING TORQUE - MANUAL OVERLOAD**  
**SINGLE PHASE - CAPACITOR START / CAPACITOR RUN**  
**ROLLED STEEL CONSTRUCTION**

### PERFORMANCE DATA

HP	RPM	Frame	Voltage	Frequency (Hz)	Full Load S.F.	Insulation Class	NEMA Design	Slip (%)	NEMA Code	Enclosure Type	IP Rating	Max. Ambient
5	1740	184T	208-230/460V	60	1.15	F	L	3.6	G	TEFC	IP55	40°C

Amps (230V)		Efficiency (%)			Power Factor			Torque (ft-lb)			DE Bearing	ODE Bearing	Connection	Weight (lbs.)
FLA	LRA	100%	75%	50%	100%	75%	50%	FLT	LRT %	BDT %				
20	134.6	84.7	81	78	0.94	0.93	0.9	15.15	243	220	6206-2RZC3	6205-2RZC3	5 Lead/P1,P2	110

NAME PLATE							
			<b>FARM DUTY</b> <b>HIGH STARTING TORQUE</b> <b>MANUAL OVERLOAD PROTECTION</b> <b>TOTALLY ENCLOSED FAN COOLED</b>				
<b>SINGLE PHASE ELECTRIC MOTOR</b>							
MODEL	HP	5	RPM	1740	FRAME	184T	
F184T5S4C-MO	ENCL	TEFC	HZ	60	PHASE	1	
VOLT	208-230/460V	AMPS	22.8-20/10	S.F.	1.15	DESIGN	L
S.F. AMPS	26-24/12	CLASS	F	CODE	G	LBS	110
DE BEARING		6206-2RZC3					
ODE BEARING		6205-2RZC3					
MAX AMB.	40°C	RATING	CONT				
SER							
General purpose use on equipment and farm duty machinery requiring high starting torques.							
Hernando, Mississippi							

#### APPLICATIONS:

General purpose use on pumps, fans, conveyors, poultry equipment, air compressors and other farm duty machinery requiring high starting torques.