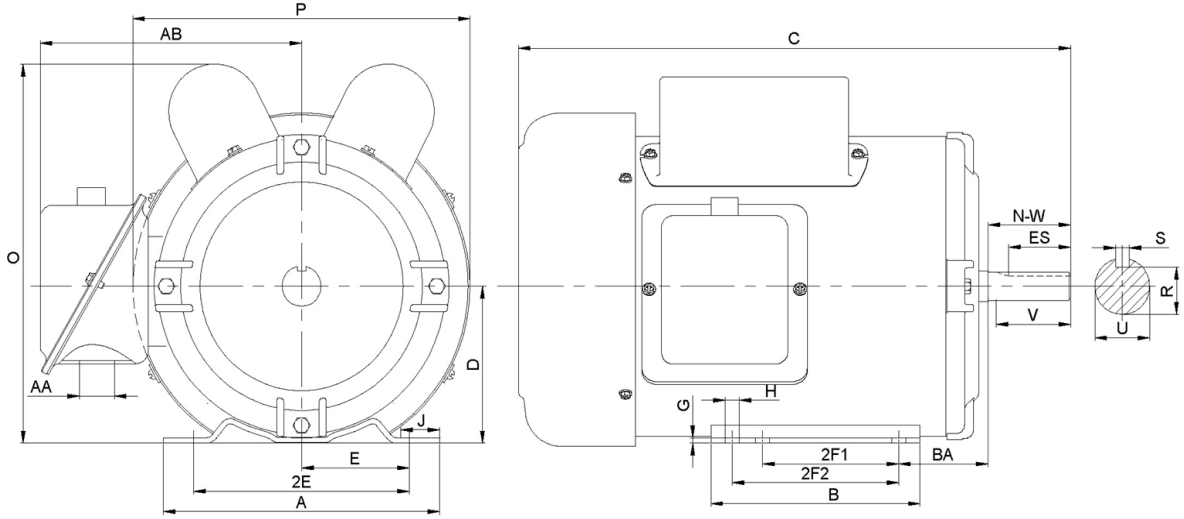


F145T1.5S4C-MO

FARM DUTY ELECTRIC MOTOR
 HIGH STARTING TORQUE - MANUAL OVERLOAD
 SINGLE PHASE - CAPACITOR START / CAPACITOR RUN
 ROLLED STEEL CONSTRUCTION
 TOTALLY ENCLOSED FAN COOLED



DIMENSIONS

HP	RPM	Frame	MOUNTING														
			A	B	C	D	G	H	J	E	2E	2F1	2F2	O	P	T	BA
1.5	1800	145T	6.54	5.91	13.35	3.5	0.12	0.34	1.18	2.75	5.5	4	5	8.46	7.01	NA	2.25

Shaft Extension, Key Set						Conduit Box		Bearings		Mount
U	V	R	S	ES	N-W	AA	AB	DE	ODE	
0.875	2.00	0.771	0.188	1.41	2.25	0.81	6.18	6205-2RZC3	6203-2RZC3	F1

BEARING LUBRICATION: The bearings come lubricated with Mobil Polyrex EM Polyurea Grease.



F145T1.5S4C-MO

**FARM DUTY ELECTRIC MOTOR
HIGH STARTING TORQUE - MANUAL OVERLOAD
SINGLE PHASE - CAPACITOR START / CAPACITOR RUN
ROLLED STEEL CONSTRUCTION**

PERFORMANCE DATA

HP	RPM	Frame	Voltage	Frequency (Hz)	Full Load S.F.	Insulation Class	NEMA Design	Slip (%)	NEMA Code	Enclosure Type	IP Rating	Max. Ambient
1.5	1750	145T	115/208-230V	60	1.15	F	L	2.8	J	TEFC	IP55	40°C

Amps (230V)		Efficiency (%)			Power Factor			Torque (ft-lb)			DE Bearing	ODE Bearing	Connection	Weight (lbs.)
FLA	LRA	100%	75%	50%	100%	75%	50%	FLT	LRT %	BDT %	6205-2RZC3	6203-2RZC3	5 Lead/P1,P2	45
6.6	49.0	77	71.8	63.2	0.95	0.93	0.9	4.5	260	241				

NAME PLATE											
						FARM DUTY HIGH STARTING TORQUE MANUAL OVERLOAD PROTECTION TOTALLY ENCLOSED FAN COOLED					
SINGLE PHASE ELECTRIC MOTOR											
MODEL		HP	1.5	RPM	1750	FRAME	145T				
F145T1.5S4C-MO		ENCL	TEFC	HZ	60	PHASE	1				
VOLT	115/208-230V	AMPS	13.3/7.1-6.6	S.F.	1.15	DESIGN	L				
S.F. AMPS	15/8.3-7.6	CLASS	F	CODE	J	LBS	45				
DE BEARING				6205-2RZC3							
ODE BEARING				6203-2RZC3							
MAX AMB.		40°C	RATING		CONT						
SER											
General purpose use on equipment and farm duty machinery requiring high starting torques.											
Hernando, Mississippi											

<p style="font-size: x-small; margin: 0;">115V LOW VOLTAGE</p>	<p style="font-size: x-small; margin: 0;">208-230V HIGH VOLTAGE</p>
--	---

APPLICATIONS:

General purpose use on pumps, fans, conveyors, poultry equipment, air compressors and other farm duty machinery requiring high starting torques.