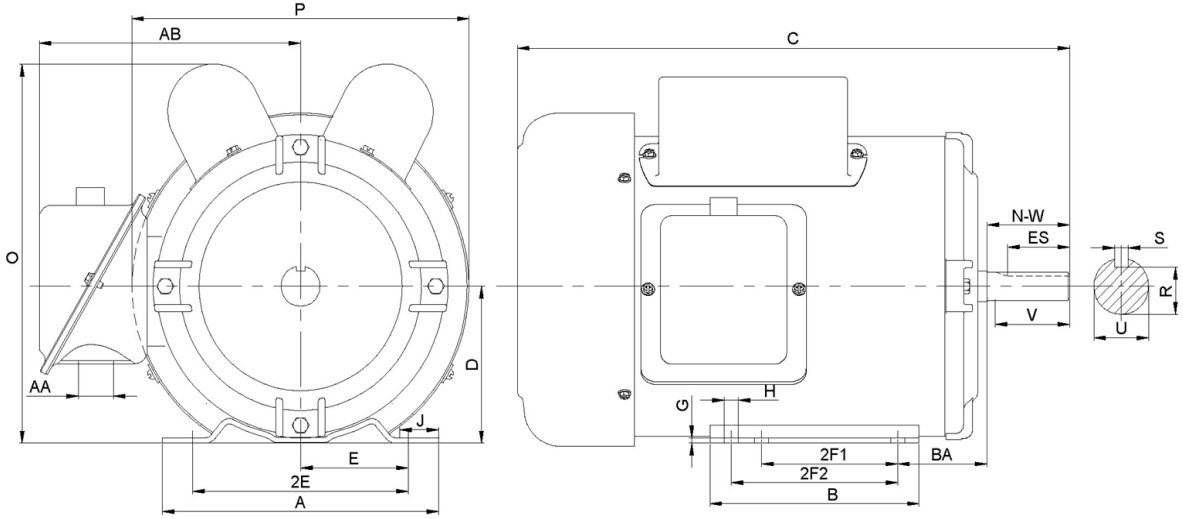


F143T1S4C-MO

FARM DUTY ELECTRIC MOTOR
 HIGH STARTING TORQUE - MANUAL OVERLOAD
 SINGLE PHASE - CAPACITOR START / CAPACITOR RUN
 ROLLED STEEL CONSTRUCTION
 TOTALLY ENCLOSED FAN COOLED



DIMENSIONS

HP	RPM	Frame	MOUNTING														
			A	B	C	D	G	H	J	E	2E	2F1	2F2	O	P	T	BA
1	1800	143T	6.54	5.91	13.35	3.5	0.12	0.34	1.18	2.75	5.5	4	5	8.46	7.01	NA	2.25

Shaft Extension, Key Set						Conduit Box		Bearings		Mount
U	V	R	S	ES	N-W	AA	AB	DE	ODE	
0.875	2.00	0.771	0.188	1.41	2.25	0.81	6.18	6205-2RZC3	6203-2RZC3	F1

BEARING LUBRICATION: The bearings come lubricated with Mobil Polyrex EM Polyurea Grease.



F143T1S4C-MO

**FARM DUTY ELECTRIC MOTOR
HIGH STARTING TORQUE - MANUAL OVERLOAD
SINGLE PHASE - CAPACITOR START / CAPACITOR RUN
ROLLED STEEL CONSTRUCTION**

PERFORMANCE DATA

HP	RPM	Frame	Voltage	Frequency (Hz)	Full Load S.F.	Insulation Class	NEMA Design	Slip (%)	NEMA Code	Enclosure Type	IP Rating	Max. Ambient
1	1750	143T	115/208-230V	60	1.15	F	L	2.8	K	TEFC	IP55	40°C

Amps (230V)		Efficiency (%)			Power Factor			Torque (ft-lb)			DE Bearing	ODE Bearing	Connection	Weight (lbs.)
FLA	LRA	100%	75%	50%	100%	75%	50%	FLT	LRT %	BDT %				
4.7	34.5	74	72	64	0.91	0.92	0.89	3	286	232	6205-2RZC3	6203-2RZC3	5 Lead/P1,P2	41

NAME PLATE					
			FARM DUTY HIGH STARTING TORQUE MANUAL OVERLOAD PROTECTION TOTALLY ENCLOSED FAN COOLED		
SINGLE PHASE ELECTRIC MOTOR					
MODEL	HP	1	RPM	1750	FRAME 143T
F143T1S4C-MO	ENCL	TEFC	HZ	60	PHASE 1
VOLT	115/208-230V	AMPS	9.2/5-4.7	S.F.	1.15
S.F. AMPS	10.2/6-5.4	CLASS	F	CODE	K
		LBS			41
DE BEARING		6205-2RZC3			
ODE BEARING		6203-2RZC3			
MAX AMB.	40°C	RATING	CONT		
SER					
General purpose use on equipment and farm duty machinery requiring high starting torques.					
Hernando, Mississippi					

APPLICATIONS:

General purpose use on pumps, fans, conveyors, poultry equipment, air compressors and other farm duty machinery requiring high starting torques.