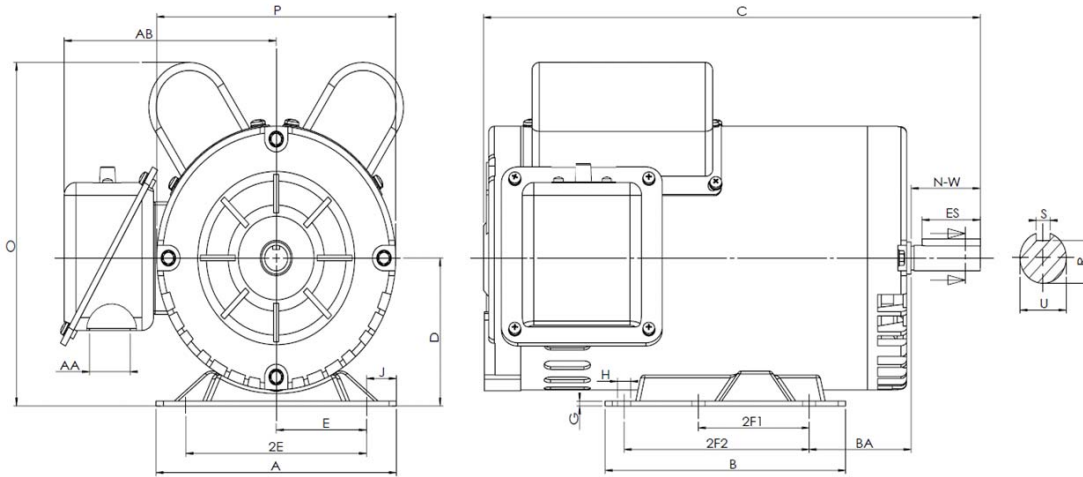


D56H5S2C-MO

GENERAL PURPOSE / COMPRESSOR DUTY ELECTRIC MOTOR
SINGLE PHASE - CAPACITOR START / CAPACITOR RUN
HIGH STARTING TORQUE
ROLLED STEEL CONSTRUCTION
OPEN DRIP PROOF



DIMENSIONS

HP	RPM	Frame	MOUNTING														
			A	B	C	D	G	H	J	E	2E	2F1	2F2	O	P	T	BA
5	3600	56H	6.50	6.50	13.40	3.50	0.12	0.34	0.81	2.44	4.88	3.00	5.00	8.43	6.50	NA	2.75

Shaft Extension, Key Set						Conduit Box		Bearings		Mount
U	V	R	S	ES	N-W	AA	AB	DE	ODE	
0.63	NA	0.52	0.19	1.41	1.88	1.10	5.75	6205-2RZC3	6203-2RZC3	

BEARING LUBRICATION: The bearings come lubricated with Mobil Polyrex EM Polyurea Grease.



D56H5S2C-MO

GENERAL PURPOSE / COMPRESSOR DUTY ELECTRIC MOTOR

SINGLE PHASE - CAPACITOR START / CAPACITOR RUN

HIGH STARTING TORQUE

ROLLED STEEL CONSTRUCTION


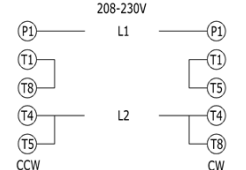

OPEN DRIP PROOF

PERFORMANCE DATA

HP	RPM	Frame	Voltage	Frequency (Hz)	Full Load S.F.	Insulation Class	NEMA Design	Slip (%)	NEMA Code	Enclosure Type	IP Rating	Max. Ambient
5	3510	56H	208-230V	60	1.15	F	L	2.5	F	ODP	IP23	40°C

Amps (230V)		Efficiency (%)			Power Factor			Torque (ft-lb)			DE Bearing	ODE Bearing	Connection	Weight (lbs.)
FLA	LRA	100%	75%	50%	100%	75%	50%	FLT	LRT %	BDT %				
18.94	118.7	86.5	85.2	80.1	0.99	0.97	0.92	10.19	250	211	6205-2RZC3	6203-2RZC3	5 Lead	55.8

NAME PLATE

 <p>North American Electric, Inc.</p>						
<p>COMPRESSOR DUTY HIGH STARTING TORQUES</p> <p>Single Phase Electric Motor</p>						
MODEL	D56H5S2C-MO				HP	5
FRAME	56H	ENCL	ODP	PH	1	
RPM	3510	CODE	F	HZ	60	
DES	L	CLASS	F	SF	1.15	
DE BRG	6205-2RZC3		ODE BRG	6203-2RZC3		
VOLT	208-230V		LBS	55.8		
AMPS	20.94-18.94		DUTY	CONT		
SF AMPS	25.7-21.8		MAX AMB	40°C		
SER						
<p>208-230V</p> 						
<p>General purpose use on machinery and equipment where contaminants are minimal. COMPRESSOR DUTY</p>						
<p>Hernando, Mississippi 38632 www.naemotors.com</p>						

APPLICATIONS:

General purpose use on pumps, fans, conveyors, blowers, air compressors, refrigeration equipment, milling machines, tools, farm equipment, aeration equipment and other general purpose applications where contaminants are minimal. COMPRESSOR DUTY.