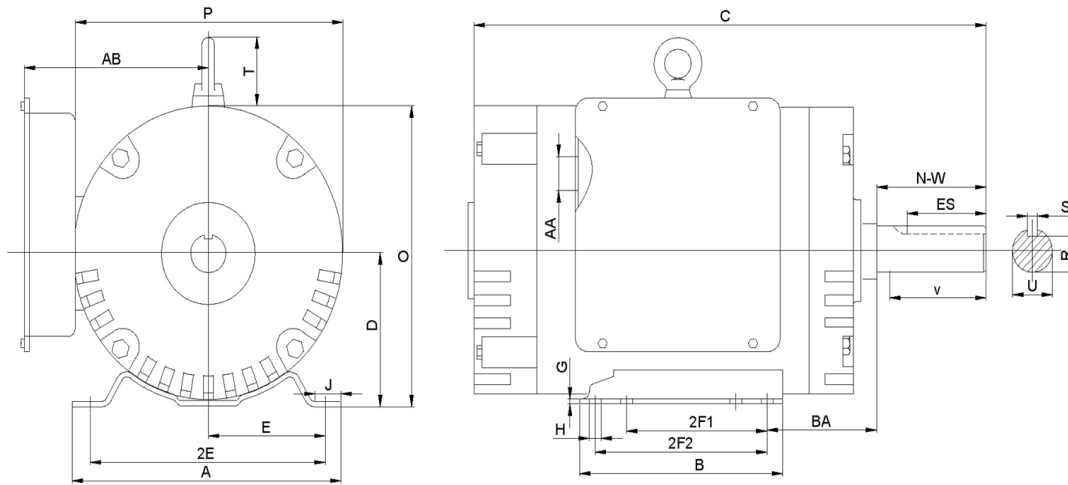


D184T5S4C

GENERAL PURPOSE / COMPRESSOR DUTY ELECTRIC MOTOR
 SINGLE PHASE - CAPACITOR START / CAPACITOR RUN
 HIGH STARTING TORQUE
 ROLLED STEEL CONSTRUCTION
 OPEN DRIP PROOF



DIMENSIONS

| HP | RPM | Frame | MOUNTING | | | | | | | | | | | | | | |
|----|------|-------|----------|------|-------|------|------|------|------|------|------|------|------|------|------|------|------|
| | | | A | B | C | D | G | H | J | E | 2E | 2F1 | 2F2 | O | P | T | BA |
| 5 | 1800 | 184T | 8.50 | 6.50 | 15.75 | 4.50 | 0.16 | 0.41 | 0.95 | 3.75 | 7.50 | 4.50 | 5.50 | 9.15 | 8.50 | 1.97 | 2.75 |

| Shaft Extension, Key Set | | | | | | Conduit Box | | Bearings | | Mount |
|--------------------------|------|------|------|------|------|-------------|------|------------|------------|-------|
| U | V | R | S | ES | N-W | AA | AB | DE | ODE | |
| 1.13 | 2.50 | 0.99 | 0.25 | 1.78 | 2.75 | 1.10 | 6.81 | 6206-2RZC3 | 6203-2RZC3 | F1 |

BEARING LUBRICATION: The bearings come lubricated with Mobil Polyrex EM Polyurea Grease.



D184T5S4C

GENERAL PURPOSE / COMPRESSOR DUTY ELECTRIC MOTOR
SINGLE PHASE - CAPACITOR START / CAPACITOR RUN
HIGH STARTING TORQUE
ROLLED STEEL CONSTRUCTION
OPEN DRIP PROOF

PERFORMANCE DATA

| HP | RPM | Frame | Voltage | Frequency (Hz) | Full Load S.F. | Insulation Class | NEMA Design | Slip (%) | NEMA Code | Enclosure Type | IP Rating | Max. Ambient |
|----|------|-------|----------|----------------|----------------|------------------|-------------|----------|-----------|----------------|-----------|--------------|
| 5 | 1745 | 184T | 208-230V | 60 | 1.15 | F | L | 3.3 | H | ODP | IP23 | 40°C |

| Amps (230V) | | Efficiency (%) | | | Power Factor | | | Torque (ft-lb) | | | DE Bearing | ODE Bearing | Connection | Weight (lbs.) |
|-------------|-------|----------------|-----|-----|--------------|------|------|----------------|-------|-------|------------|-------------|------------|---------------|
| FLA | LRA | 100% | 75% | 50% | 100% | 75% | 50% | FLT | LRT % | BDT % | | | | |
| 20 | 147.9 | 83.4 | 79 | 73 | 0.97 | 0.96 | 0.91 | 15.11 | 319 | 220 | 6206-2RZC3 | 6203-2RZC3 | 4 Lead | 96 |

| NAME PLATE | | | | | | | | | | | |
|--|----------|-------|--------|---|------|--------|------|--|--|--|--|
| | | | | COMPRESSOR DUTY HIGH STARTING TORQUE OPEN DRIP PROOF ENCLOSURE | | | | | | | |
| SINGLE PHASE ELECTRIC MOTOR | | | | | | | | | | | |
| MODEL | | HP | 5 | RPM | 1745 | FRAME | 184T | | | | |
| D184T5S4C | | ENCL | ODP | HZ | 60 | PHASE | 1 | | | | |
| VOLT | 208-230V | AMPS | 22-20 | S.F. | 1.15 | DESIGN | L | | | | |
| S.F. AMPS | 25-23 | CLASS | F | CODE | H | LBS | 96 | | | | |
| DE BEARING | | | | 6206-2RZC3 | | | | | | | |
| ODE BEARING | | | | 6203-2RZC3 | | | | | | | |
| MAX AMB. | | 40°C | RATING | | CONT | | | | | | |
| SER | | | | | | | | | | | |
| General purpose use on machinery and equipment where contaminants are minimal. COMPRESSOR DUTY | | | | | | | | | | | |
| | | | | | | | | | | | |
| | | | | | | | | | | | |
| Hernando, Mississippi | | | | | | | | | | | |

The diagram shows two input lines, L1 and L2. L1 is connected to terminals T1 and T5. L2 is connected to terminals T4 and T8. On the left side, terminals T1 and T8 are grouped as 'CCW' and T4 and T5 as 'CW'. On the right side, terminals T1 and T5 are grouped as 'CW' and T4 and T8 as 'CCW'.

APPLICATIONS:

General purpose use on pumps, fans, conveyors, blowers, air compressors, refrigeration equipment, milling machines, tools, farm equipment, aeration equipment and other general purpose applications where contaminants are minimal.