

APE143T-1.5-2

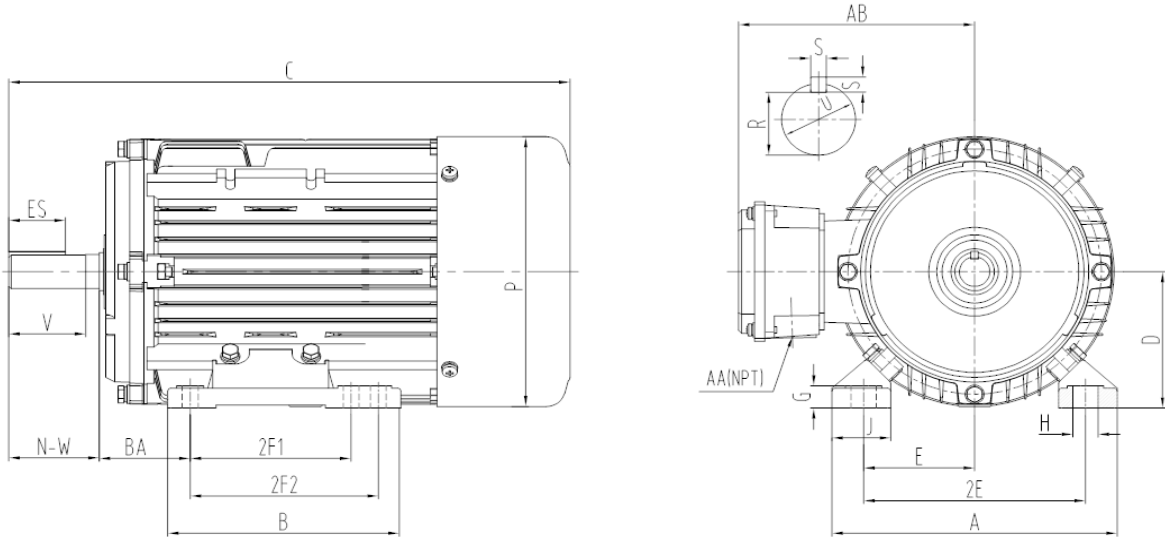
GENERAL PURPOSE ELECTRIC MOTOR

NEMA PREMIUM EFFICIENCY

TOTALLY ENCLOSED FAN COOLED

INVERTER DUTY 10:1 CT; 20:1 VT - NEMA MG1 PART 31

Factory Certified for T2B Class I, Division II, Groups A,B,C & D and Class II, Division II, Groups F & G



DIMENSIONS

| HP | RPM | Frame | MOUNTING | | | | | | | | | | | | | | |
|-----|------|-------|----------|------|-------|------|------|------|------|------|------|------|-----|----|------|----|------|
| | | | A | B | C | D | G | H | J | E | 2E | 2F1 | 2F2 | O | P | T | BA |
| 1.5 | 3600 | 143T | 7.00 | 5.10 | 13.90 | 3.50 | 0.57 | 0.39 | 1.46 | 2.75 | 5.50 | 4.00 | NA | NA | 5.90 | NA | 2.25 |

| Shaft Extension, Key Set | | | | | | Conduit Box | | Bearings | | Mount |
|--------------------------|------|-------|-------|------|------|-------------|------|----------|---------|-------|
| U | V | R | S | ES | N-W | AA | AB | DE | ODE | |
| 0.875 | 2.00 | 0.771 | 0.188 | 1.41 | 2.25 | 0.75 | 5.87 | 6205-ZZ | 6205-ZZ | F1 |

BEARING LUBRICATION: The bearings come lubricated with Mobil Polyrex EM Polyurea Grease.





APE143T-1.5-2

GENERAL PURPOSE ELECTRIC MOTOR

NEMA PREMIUM EFFICIENCY

TOTALLY ENCLOSED FAN COOLED

INVERTER DUTY 10:1 CT; 20:1 VT - NEMA MG1 PART 31

Factory Certified for T2B Class I, Division II, Groups A,B,C & D and Class II, Division II, Groups F & G

PERFORMANCE DATA

| HP | RPM | Frame | Voltage | Frequency (Hz) | Full Load S.F. | Insulation Class | NEMA Design | Slip (%) | NEMA Code | Enclosure Type | IP Rating | Max. Ambient |
|-----|------|-------|-------------|----------------|----------------|------------------|-------------|----------|-----------|----------------|-----------|--------------|
| 1.5 | 3520 | 143T | 208-230/460 | 60 | 1.15 | F | B | 2.2 | M | TEFC | 55 | 40° C |

| Amps (460V) | | Efficiency (%) | | | | Power Factor | | | Torque (ft-lb) | | | DE Bearing | ODE Bearing | Connection | Weight (lbs.) |
|-------------|-----|----------------|------|------|------|--------------|------|------|----------------|-------|-------|------------|-------------|-------------|---------------|
| FLA | LRA | 100% | 75% | 50% | Min. | 100% | 75% | 50% | FLT | LRT % | BDT % | 6205-ZZ | 6205-ZZ | 9 Lead 2Y/Y | 33 |
| 2.0 | 20 | 84.0 | 82.0 | 81.5 | 81.5 | 0.74 | 0.66 | 0.54 | 2.2 | 200 | 280 | | | | |

NAME PLATE

| | | | | | | | | | | | | | | | |
|--|------------------------|---------------|--------------------|-----------------------|-------|---------|--|--|--|---|--|--|---------|--|--|
| | | | | | | | | | | CONNECTION DIAGRAMS 208-230V | | | | | |
| INVERTER DUTY 20:1 VT; 10:1 CT | | | | | | | | | | | | | | | |
| CAT NO: APE143T-1.5-2 | | | FRAME 143T | | | PHASE 3 | | | | 460V | | | | | |
| HZ 60 | S.F. 1.15 | HZ 50 | S.F. 1.0 | ENCL TEFC | IP 55 | | | | | | | | | | |
| HP 1.5 | RPM 3520 | HP 1.5 | RPM 2900 | DUTY CONT | DES B | | | | | | | | | | |
| VOLTS 208-230/460 | | VOLTS 190/380 | | AMB 40° C | INS F | | | | | | | | | | |
| FLA 4.4 - 4.0 / 2.0 | FLA 5.2/2.6 | | DE BEARING 6205-ZZ | | | | | | | | | | | | |
| CODE M | P.F. 0.74 | CODE K | P.F. 0.80 | ODE BEARING 6205-ZZ | | | | | | | | | | | |
| EFF 84.0 | MIN 81.5 | EFF 82 | MIN 79.5 | LUB: Mobil Polyrex EM | | | | | | | | | | | |
| MOTOR WEIGHT 33 LBS | CONNECTION 9 Lead 2Y/Y | | SER NO | | | | | | | | | | | | |
| General purpose use on industrial machinery installed in damp, dusty or dirty environments. Hernando, Mississippi | | | | | | | | | | | | | CC 082A | | |

APPLICATIONS:

General purpose use on pumps, fans, blowers, compressors, conveyors, material handling and other industrial machinery installed in damp, dusty or dirty environments.