

PRODUCT INFORMATION PACKET

marathon[®]
Motors

Model No: 5KH46JN0329X
Catalog No: H693
1/2, 1425, DP, 56, 1/50/110/220
Open Drip Proof (ODP)



Regal and Marathon are trademarks of Regal Beloit Corporation or one of its affiliated companies.
©2018 Regal Beloit Corporation, All Rights Reserved. MC017097E

REGAL[®]

Nameplate Specifications

Output HP	1/2 Hp	Output KW	0.37 kW
Frequency	50 Hz	Voltage	110/220 V
Current	9.2,4.6 A	Speed	1425 rpm
Service Factor	1	Phase	1
Efficiency	66 %	Duty	Continuous
Insulation Class	B	KVA Code	P
Frame	56	Enclosure	Drip Proof
Overload Protector	AUTO	Ambient Temperature	40 °C
Drive End Bearing Size	6203	Opp Drive End Bearing Size	6203
UL	Recognized	CSA	Yes
CE	N		

Technical Specifications

Electrical Type	Split Phase	Starting Method	SM
Poles	4	Rotation	Counterclockwise/Clockwise
Mounting	Resilient Base	Motor Orientation	ANY
Drive End Bearing	BALL	Opp Drive End Bearing	BALL
Frame Material	Rolled Steel	Overall Length	10.88 in
Frame Length	6.55 in	Shaft Diameter	0.63 in
Shaft Extension	1.88 in		
Outline Drawing	52A109511P1	Connection Diagram	52A105383AA

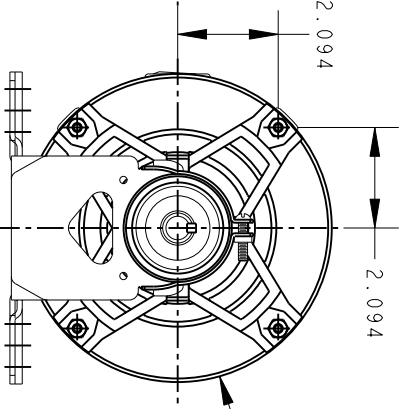
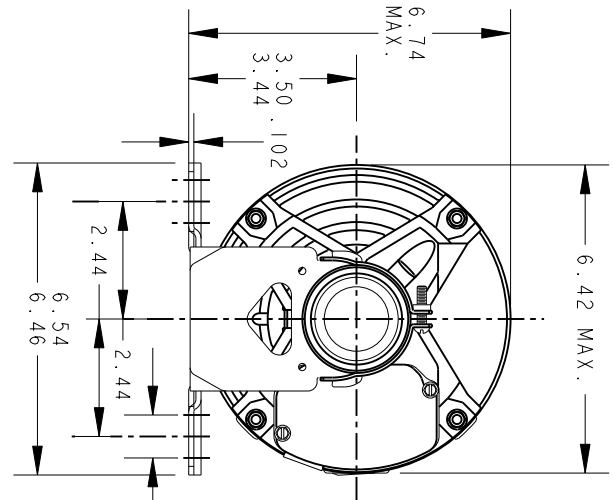
This is an uncontrolled document once printed or downloaded and is subject to change without notice. Date Created: 10/08/2018

THIRD ANGLE PROJECTION

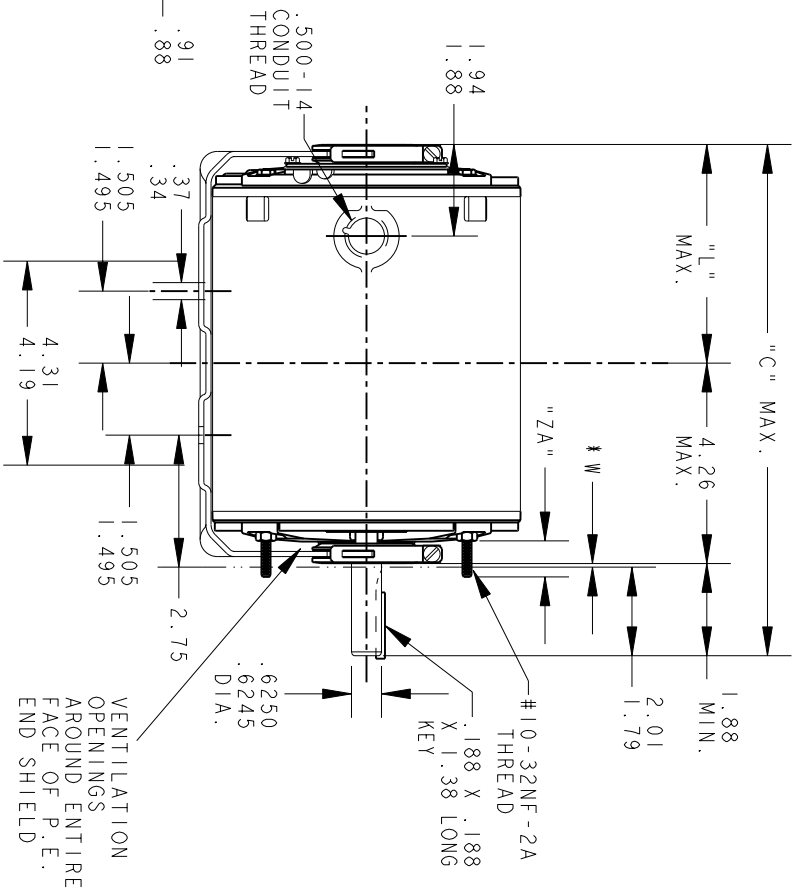


REVISIONS

REV.	DESCRIPTION	DATE	APPROVED
2	ADDED PART #4.	07/05/94	M.D. PAPE
3	CHG TO RBC FORMAT PER IS05-1777	03/16/06	SUDHA



VIEW OF P.E. END SHIELD



4	3	2	1	P
KH/K	KH/K	KH/K	KH/K	TYPE
49	49	46	46	GE
56	56	56	56	SIZE
12.01	11.48	10.88	10.88	NEMA "C"
5.75	5.22	4.62	4.62	"L"
.62	.62	.62	.62	"ZA"

ALL DIMENSIONS ARE IN INCHES



REGAL-BELOTT CORPORATION

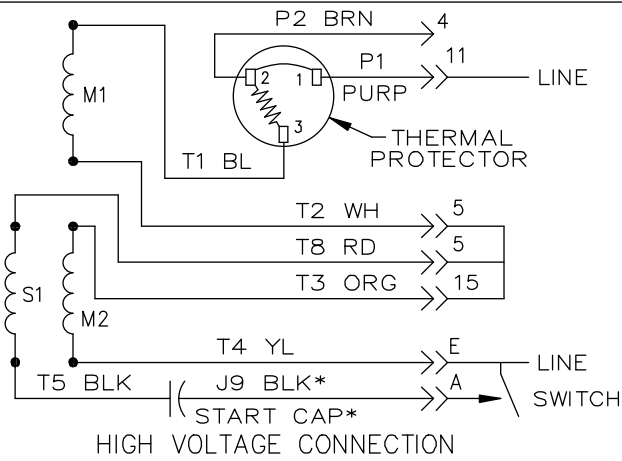
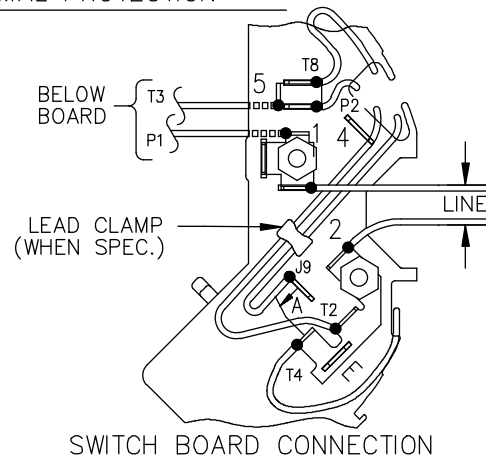
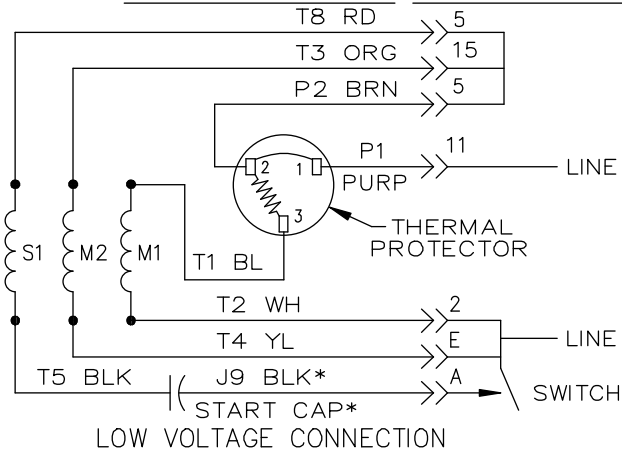
OUTLINE

GENERAL PURPOSE MOTOR - DRIP PROOF - BALL BEARING - RESILIENT BASE EXTENDED CLAMP SCREWS FMF - 40 FRAME REDESIGN

FOR ADDITIONAL INFO REFER TO:	MODEL	MA MARKS	DATE
APPLIED PRACTICES	CHECKED	ENGRG	MFG
DIMENSIONS ARE IN INCHES	ISSUED	QUALITY	MA.M.
MATERIAL	SOLID MODEL: 52A109511	ISSUED	03/29/94

SCALE: 0.250	REF. No.:	SHEET 1 of 1
SIZE: DRAWING A	REV 3	

EITHER ROTATION, DUAL VOLTAGE, TYPE KC OR KH, WITH THERMAL PROTECTION



NOTE #1 - START CAP & J9 WHEN SPECIFIED (*). IF NO CAPACITOR (KH), CONNECT T5 DIRECTLY TO SWITCH (A). WHEN MORE THAN ONE CAPACITOR IS USED, CONNECT IN PARALLEL.

NOTE #2 - TO REVERSE ROTATION, INTER CHANGE RD(T8) AND BLK(J9-KC OR T5-KH) LEADS.

SWITCH REF. - 115D958AB	CONNECTION LABEL	CCW ROTATION: NP52X332051AA
		CW ROTATION: NP52X332051AC

				TOLERANCES UNLESS SPECIFIED		REGAL BELOIT	REGAL-BELOIT CORPORATION	DRAWN M.D.P 06/29/87		
				DEC.	INCHES			CHK		
				.X	±0.1	TITLE CONNECTION DIAGRAM 30 FRAME SWITCH REDESIGN		APPD M.D.P 03/26/96		
				.XX	±0.02			SCALE 1=1		
5	ADDED CONNECTION LABEL PER ECO-0030779	UD 02/06/13	PKG	.XXX	±0.005			REF		
4	UPDATED PER ISO7-0150	MD 01/23/07		.XXXX	±0.0005			FMF		
NO.	REVISION	BY & DATE	CHK	ANG	±1.0			PREV		
THIS DRAWING IN DESIGN AND DETAIL IS OUR PROPERTY AND MUST NOT BE USED EXCEPT IN CONNECTION WITH OUR WORK. ALL RIGHTS OF DESIGN AND INVENTION ARE RESERVED. THIS IS AN ELECTRONICALLY GENERATED DOCUMENT - DO NOT SCALE THIS PRINT				RFP		CAD FILE	52A105383AA	SIZE	DRAWING NO.	REV.
				DIST			A	52A105383AA	5	