

PRODUCT INFORMATION PACKET

marathon[®]
Motors

Model No: 5KH36MNA445X
Catalog No: H684
1/2,1725/1425,DP,48Y,1/60/100-120/200-240
Carbonator Pump



Regal and Marathon are trademarks of Regal Beloit Corporation or one of its affiliated companies.
©2018 Regal Beloit Corporation, All Rights Reserved. MC017097E

REGAL

Product Information Packet: Model No: 5KH36MNA445X, Catalog No:H684 1/2,1725/1425,DP,48Y,1/60/100-120/200-240

Nameplate Specifications

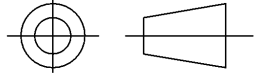
Output HP	1/2 Hp	Output KW	0.37 kW
Frequency	60 Hz	Voltage	100-120/200-240 V
Current	7.1-7.2,3.4-3.6 A	Speed	1725/1425 rpm
Service Factor	1	Phase	1
Efficiency	63.3 %	Duty	Continuous
Insulation Class	B	KVA Code	N
Frame	48Y	Enclosure	Drip Proof
Overload Protector	AUTO	Ambient Temperature	40 °C
Drive End Bearing Size	6203	Opp Drive End Bearing Size	6203
UL	Recognized	CSA	Yes
CE	N		

Technical Specifications

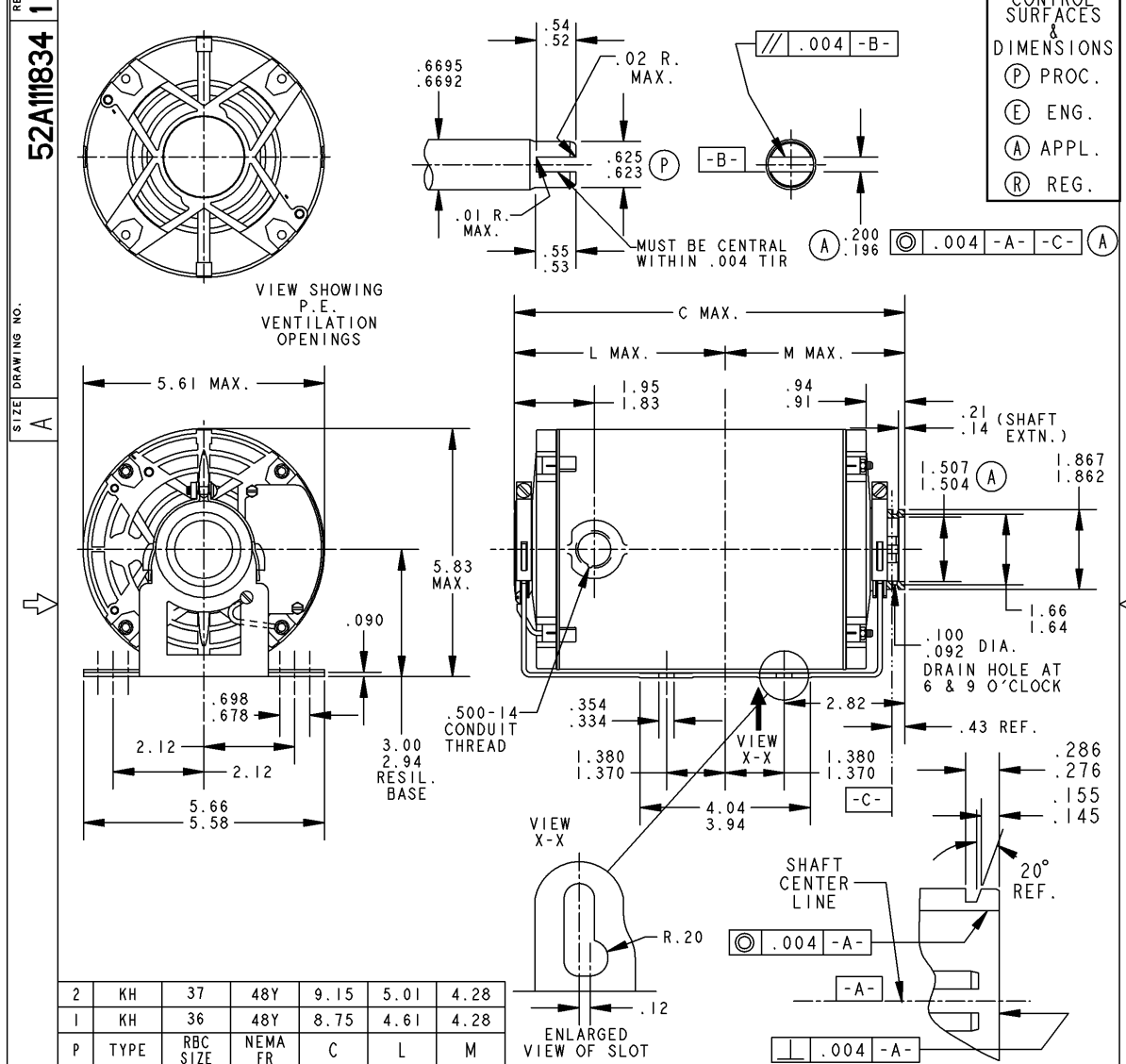
Electrical Type	Split Phase	Starting Method	SM
Poles	4	Rotation	Counterclockwise/Clockwise
Mounting	Resilient Base	Motor Orientation	ANY
Drive End Bearing	BALL	Opp Drive End Bearing	BALL
Frame Material	Rolled Steel	Overall Length	8.75 in
Frame Length	6.22 in	Shaft Diameter	0.63 in
Shaft Extension	0.17 in		
Outline Drawing	52A111834P1	Connection Diagram	52A105383AA

This is an uncontrolled document once printed or downloaded and is subject to change without notice. Date Created: 10/08/2018


THIRD ANGLE PROJECTION



REVISIONS			
REV.	DESCRIPTION	DATE	APPROVED
1	ADDED PART# 2 PER ISO7-2678	01/28/08	BOMMU

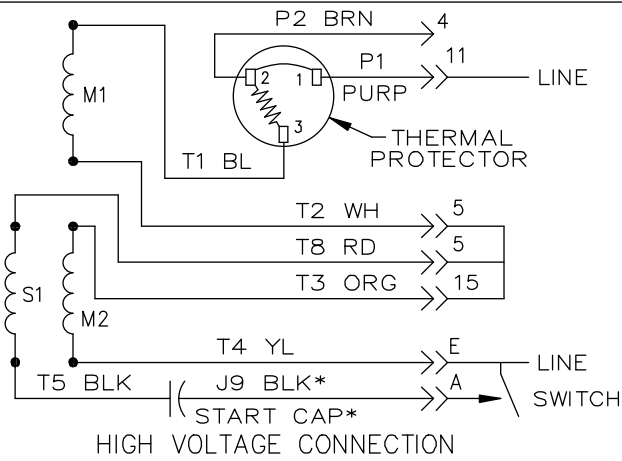
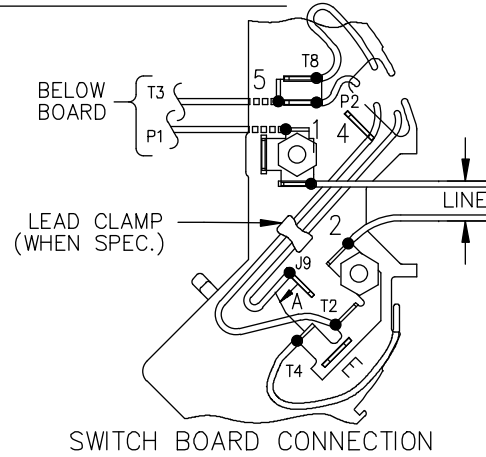
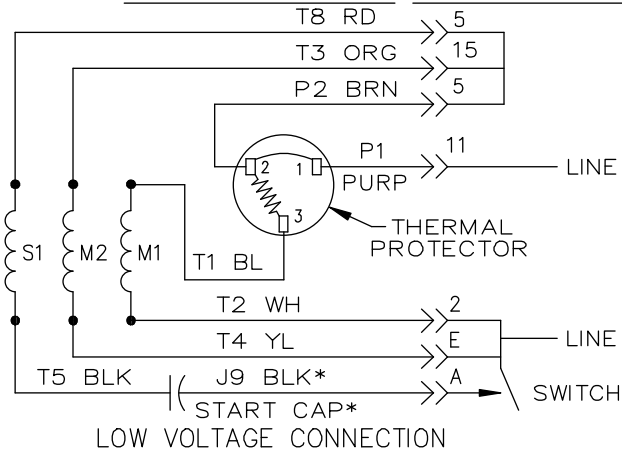


2	KH	37	48Y	9.15	5.01	4.28
1	KH	36	48Y	8.75	4.61	4.28
P	TYPE	RBC SIZE	NEMA FR	C	L	M

	SIGNATURES	DATE	 REGAL-BELOIT CORPORATION
	MODEL	VINAY 12/10/07	TITLE OUTLINE CARBONATOR PUMP - DRIP PROOF RESIL. BASE - BALL BRG.
	DETAIL	.	
	CHECKED	.	
	ENGRG	.	
	MFG	.	
FOR ADDITIONAL INFO REFER TO:	QUALITY	.	SIZE DRAWING 52A11834
APPLIED PRACTICES	ISSUED	VINAY 12/10/07	
DIMENSIONS ARE IN INCHES			REV 1
MATERIAL	SOLID MODEL: 52A111834		SHEET 1 of 1

SCALE: 1.000 REF. No: .

EITHER ROTATION, DUAL VOLTAGE, TYPE KC OR KH, WITH THERMAL PROTECTION



NOTE #1 - START CAP & J9 WHEN SPECIFIED (*). IF NO CAPACITOR (KH), CONNECT T5 DIRECTLY TO SWITCH (A). WHEN MORE THAN ONE CAPACITOR IS USED, CONNECT IN PARALLEL.

NOTE #2 - TO REVERSE ROTATION, INTER CHANGE RD(T8) AND BLK(J9-KC OR T5-KH) LEADS.

SWITCH REF. - 115D958AB	CONNECTION LABEL	CCW ROTATION: NP52X332051AA
		CW ROTATION: NP52X332051AC

				TOLERANCES UNLESS SPECIFIED		REGAL-BELOIT CORPORATION	DRAWN M.D.P 06/29/87
				DEC.	INCHES		CHK
				.X	±0.1	TITLE CONNECTION DIAGRAM 30 FRAME SWITCH REDESIGN	APPD M.D.P 03/26/96
				.XX	±0.02		SCALE 1=1
5	ADDED CONNECTION LABEL PER ECO-0030779	UD 02/06/13	PKG	.XXX	±0.005		REF
4	UPDATED PER ISO7-0150	MD 01/23/07		.XXXX	±0.0005		FMF
NO.	REVISION	BY & DATE	CHK	ANG	±1.0		PREV
THIS DRAWING IN DESIGN AND DETAIL IS OUR PROPERTY AND MUST NOT BE USED EXCEPT IN CONNECTION WITH OUR WORK. ALL RIGHTS OF DESIGN AND INVENTION ARE RESERVED. THIS IS AN ELECTRONICALLY GENERATED DOCUMENT - DO NOT SCALE THIS PRINT				RFP	CAD FILE	52A105383AA	SIZE A
				DIST			DRAWING NO. 52A105383AA
							REV. 5