

PRODUCT INFORMATION PACKET

marathon[®]
Motors

Model No: 5KH36LN489X
Catalog No: HG692
1/3,1425,DP,56Z,1/50/110/220
Open Drip Proof (ODP)



Regal and Marathon are trademarks of Regal Beloit Corporation or one of its affiliated companies.
©2018 Regal Beloit Corporation, All Rights Reserved. MC017097E

REGAL[®]

Product Information Packet: Model No: 5KH36LN489X, Catalog No:HG692 1/3,1425,DP,56Z,1/50/110/220

Nameplate Specifications

Output HP	1/3 Hp	Output KW	0.25 kW
Frequency	50 Hz	Voltage	110/220 V
Current	7.0,3.5 A	Speed	1425 rpm
Service Factor	1	Phase	1
Efficiency	59.5 %	Duty	Continuous
Insulation Class	B	KVA Code	P
Frame	56Z	Enclosure	Drip Proof
Overload Protector	AUTO	Ambient Temperature	40 °C
Drive End Bearing Size	6203	Opp Drive End Bearing Size	6203
UL	Recognized	CSA	Yes
CE	N		

Technical Specifications

Electrical Type	Split Phase	Starting Method	SM
Poles	4	Rotation	Counterclockwise/Clockwise
Mounting	Resilient Base	Motor Orientation	ANY
Drive End Bearing	BALL	Opp Drive End Bearing	BALL
Frame Material	Rolled Steel	Overall Length	9.94 in
Frame Length	6.22 in	Shaft Diameter	0.5 in
Shaft Extension	1.5 in		
Outline Drawing	52A102722P2	Connection Diagram	52A105383AA

This is an uncontrolled document once printed or downloaded and is subject to change without notice. Date Created: 10/08/2018

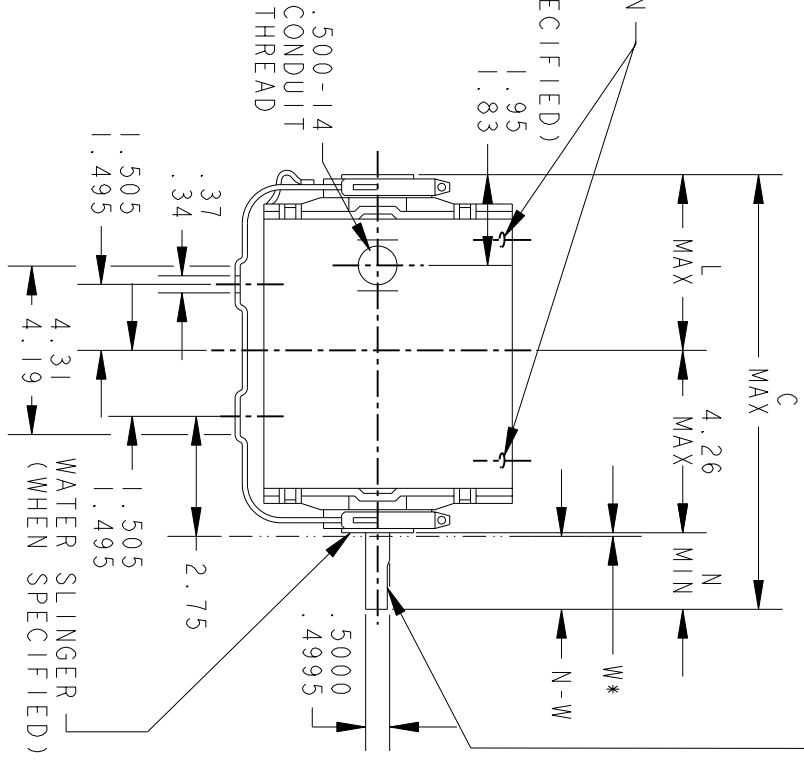
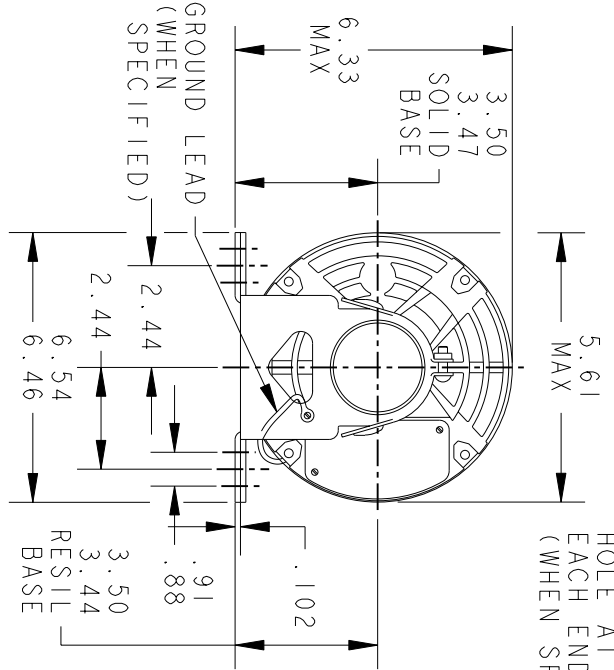
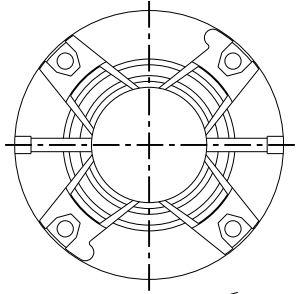
THIRD ANGLE PROJECTION



REVISIONS

REV.	DESCRIPTION	DATE	APPROVED
7	REDRAWN NO CHANGE T196-22390	07/10/96	MDP
8	CHG TO RBC FORMAT AS PER IS05-1777	01/06/06	GOVARDAN

VIEW SHOWING PE VENTILATION OPENINGS



* W IS A CLEARANCE DUE TO VARIATION IN PARTS & ASSEMBLY.

PT	TYPE	GE SIZE	NEMA FR	C	K	L	N	N-W
5	K-KH	35	56Z	10.51	2.16	3.80	2.50	2.63/2.41
4	K-KH	35	56Z	9.51	1.16	3.80	1.50	1.63/1.41
3	K-KH	37	56Z	10.34	1.16	4.63	1.50	1.63/1.41
2	KH	36	56Z	9.94	1.16	4.23	1.50	1.63/1.41
1	KH	33	56Z	9.13	1.16	3.42	1.50	1.63/1.41

SIGNATURES		DATE
MODEL	RRJ	05/16/78
DETAIL		
CHECKED		
ENGRG		
MFG		
QUALITY		
ISSUED	MDP	07/10/96
SOLID MODEL:	52A102722	



REGAL-BELOTT CORPORATION

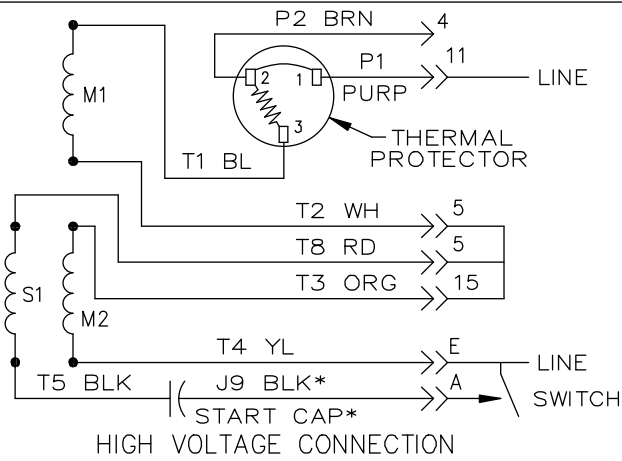
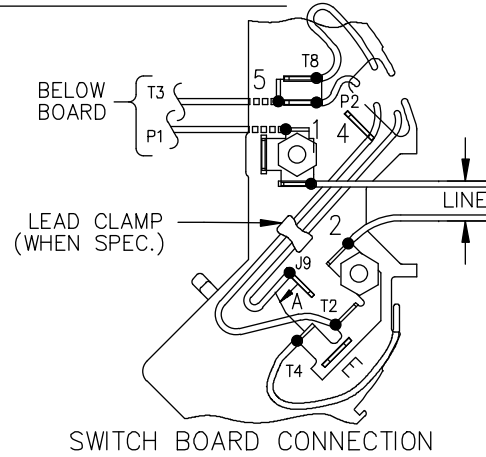
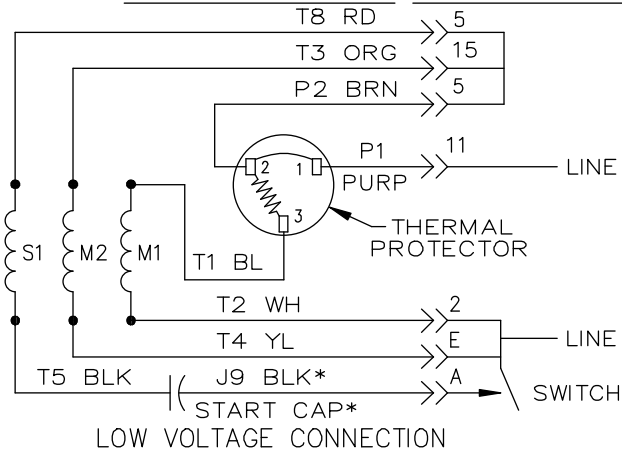
OUTLINE

FORM N - GENERAL PURPOSE MOTOR - DRIP PROOF - SOLID OR RESIL BASE - BALL OR SLEEVE BEARING/FMF - 5KH33EN149

52A102722 8

SCALE: 0.250 REF. No.: SHEET 1 of 1

EITHER ROTATION, DUAL VOLTAGE, TYPE KC OR KH, WITH THERMAL PROTECTION



NOTE #1 - START CAP & J9 WHEN SPECIFIED (*). IF NO CAPACITOR (KH), CONNECT T5 DIRECTLY TO SWITCH (A). WHEN MORE THAN ONE CAPACITOR IS USED, CONNECT IN PARALLEL.

NOTE #2 - TO REVERSE ROTATION, INTER CHANGE RD(T8) AND BLK(J9-KC OR T5-KH) LEADS.

SWITCH REF. - 115D958AB	CONNECTION LABEL	CCW ROTATION: NP52X332051AA
		CW ROTATION: NP52X332051AC

NO.	REVISION	BY & DATE	CHK	ANG	TOLERANCES UNLESS SPECIFIED		FINISH	DRAWN	
					DEC.	INCHES			
					.X	±0.1		M.D.P 06/29/87	
					.XX	±0.02		CHK	
					.XXX	±0.005		APPD M.D.P 03/26/96	
					.XXXX	±0.0005		SCALE 1=1	
5	ADDED CONNECTION LABEL PER ECO-0030779	UD 02/06/13	PKG				TITLE	REF	
4	UPDATED PER ISO7-0150	MD 01/23/07					CONNECTION DIAGRAM	FMF	
							30 FRAME SWITCH REDESIGN	PREV	
THIS DRAWING IN DESIGN AND DETAIL IS OUR PROPERTY AND MUST NOT BE USED EXCEPT IN CONNECTION WITH OUR WORK. ALL RIGHTS OF DESIGN AND INVENTION ARE RESERVED. THIS IS AN ELECTRONICALLY GENERATED DOCUMENT - DO NOT SCALE THIS PRINT				RFP	CAD FILE	52A105383AA	SIZE	DRAWING NO.	REV.
				DIST			A	52A105383AA	5