

# PRODUCT INFORMATION PACKET

**marathon**<sup>®</sup>  
Motors

Model No: 5KH36KNB633X  
Catalog No: H344  
1/4, 1725/1425, DP, 48Z, 1/60/115/230  
Carbonator Pump



Regal and Marathon are trademarks of Regal Beloit Corporation or one of its affiliated companies.  
©2018 Regal Beloit Corporation, All Rights Reserved. MC017097E

**REGAL**

**Product Information Packet: Model No: 5KH36KNB633X, Catalog No:H344 1/4,1725/1425,DP,48Z,1/60/115/230**

**Nameplate Specifications**

Output HP	<b>1/4 Hp</b>	Output KW	<b>0.19 kW</b>
Frequency	<b>60 Hz</b>	Voltage	<b>115/230 V</b>
Current	<b>4.3,2.2 A</b>	Speed	<b>1725/1425 rpm</b>
Service Factor	<b>1</b>	Phase	<b>1</b>
Efficiency	<b>64.9 %</b>	Duty	<b>Continuous</b>
Insulation Class	<b>B</b>	KVA Code	<b>P</b>
Frame	<b>48Z</b>	Enclosure	<b>Drip Proof</b>
Overload Protector	<b>AUTO</b>	Ambient Temperature	<b>40 °C</b>
Drive End Bearing Size	<b>6203</b>	Opp Drive End Bearing Size	<b>6203</b>
UL	<b>Recognized</b>	CSA	<b>Yes</b>
CE	<b>N</b>		

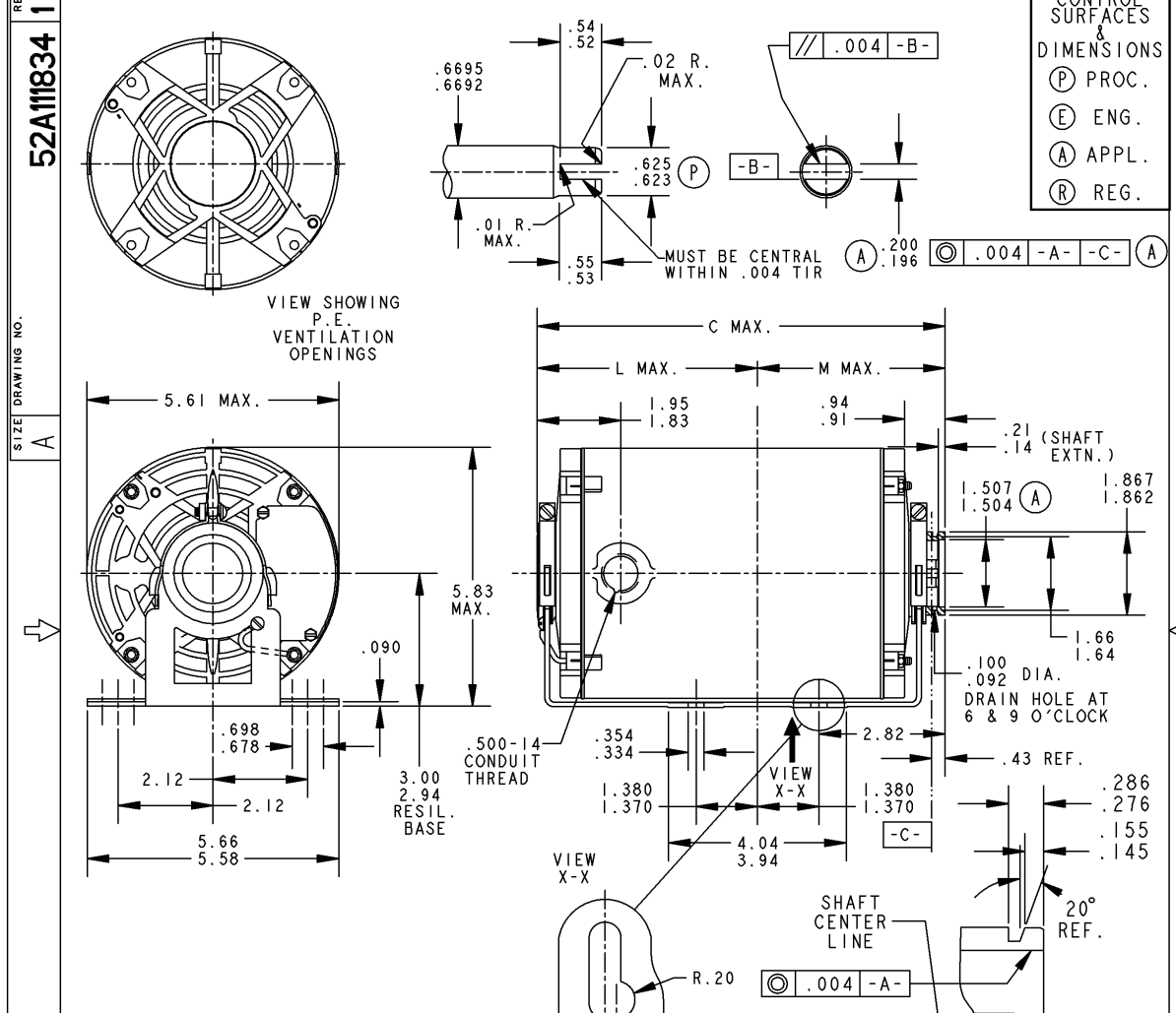
**Technical Specifications**

Electrical Type	<b>Split Phase</b>	Starting Method	<b>SM</b>
Poles	<b>4</b>	Rotation	<b>Counterclockwise/Clockwise</b>
Mounting	<b>Resilient Base</b>	Motor Orientation	<b>ANY</b>
Drive End Bearing	<b>BALL</b>	Opp Drive End Bearing	<b>BALL</b>
Frame Material	<b>Rolled Steel</b>	Overall Length	<b>8.75 in</b>
Frame Length	<b>6.22 in</b>	Shaft Diameter	<b>0.63 in</b>
Shaft Extension	<b>0.17 in</b>		
Outline Drawing	<b>52A111834P1</b>	Connection Diagram	<b>52A105383AA</b>

**This is an uncontrolled document once printed or downloaded and is subject to change without notice. Date Created: 10/08/2018**

THIRD ANGLE PROJECTION

REV.	DESCRIPTION	DATE	APPROVED
1	ADDED PART# 2 PER ISO7-2678	01/28/08	BOMMU



2	KH	37	48Y	9.15	5.01	4.28
1	KH	36	48Y	8.75	4.61	4.28
P	TYPE	RBC SIZE	NEMA FR	C	L	M

SIGNATURES		DATE
MODEL	VINAY	12/10/07
DETAIL	.	.
CHECKED	.	.
ENGRG	.	.
MFG	.	.
FOR ADDITIONAL INFO REFER TO:		
APPLIED PRACTICES	QUALITY	.
DIMENSIONS ARE IN INCHES	ISSUED	VINAY 12/10/07
MATERIAL	SOLID MODEL: 52A111834	

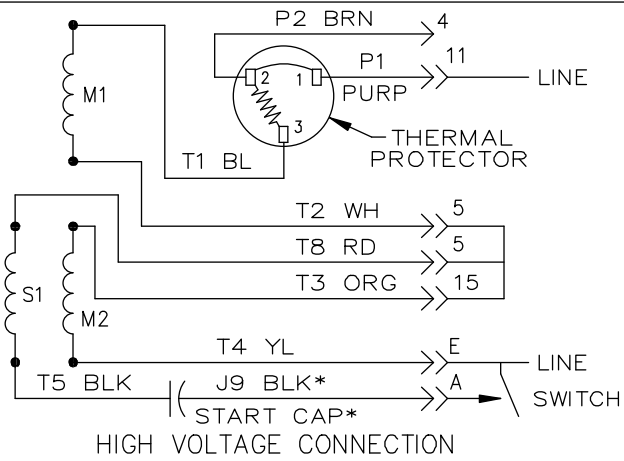
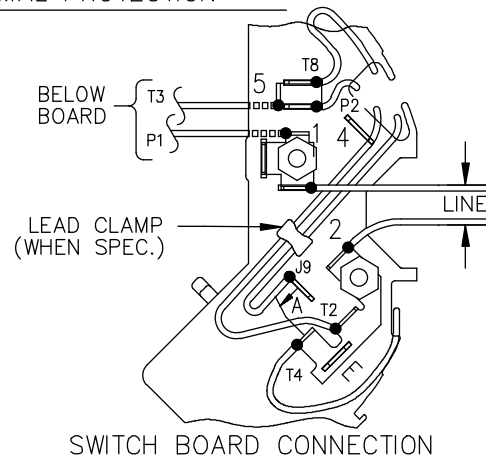
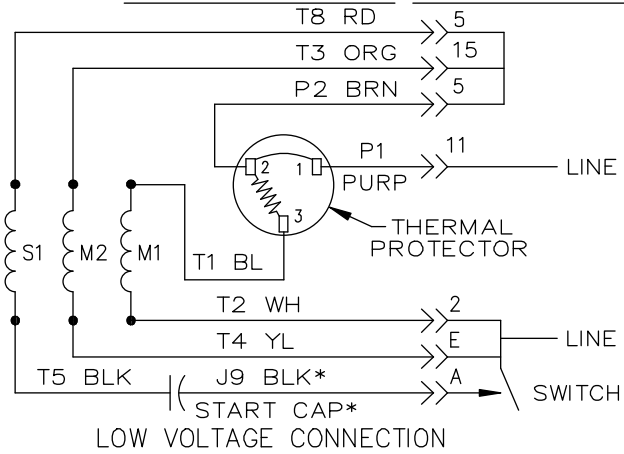
**REGAL-BELOIT CORPORATION**

TITLE  
**OUTLINE**  
**CARBONATOR PUMP - DRIP PROOF**  
**RESIL. BASE - BALL BRG.**

SIZE DRAWING  
**52A11834** REV **1**

SCALE: 1.000 REF. No: . SHEET 1 of 1

EITHER ROTATION, DUAL VOLTAGE, TYPE KC OR KH, WITH THERMAL PROTECTION



NOTE #1 - START CAP & J9 WHEN SPECIFIED (\*). IF NO CAPACITOR (KH), CONNECT T5 DIRECTLY TO SWITCH (A). WHEN MORE THAN ONE CAPACITOR IS USED, CONNECT IN PARALLEL.

NOTE #2 - TO REVERSE ROTATION, INTER CHANGE RD(T8) AND BLK(J9-KC OR T5-KH) LEADS.

SWITCH REF. - 115D958AB	CONNECTION LABEL	CCW ROTATION: NP52X332051AA
		CW ROTATION: NP52X332051AC

NO.	REVISION	BY & DATE	CHK	ANG	TOLERANCES UNLESS SPECIFIED		FINISH	DRAWN	
					DEC.	INCHES			
					.X	±0.1		M.D.P 06/29/87	
					.XX	±0.02		CHK	
					.XXX	±0.005		APPD M.D.P 03/26/96	
					.XXXX	±0.0005		SCALE 1=1	
5	ADDED CONNECTION LABEL PER ECO-0030779	UD 02/06/13	PKG				TITLE	REF	
4	UPDATED PER ISO7-0150	MD 01/23/07					CONNECTION DIAGRAM	FMF	
							30 FRAME SWITCH REDESIGN	PREV	
THIS DRAWING IN DESIGN AND DETAIL IS OUR PROPERTY AND MUST NOT BE USED EXCEPT IN CONNECTION WITH OUR WORK. ALL RIGHTS OF DESIGN AND INVENTION ARE RESERVED. THIS IS AN ELECTRONICALLY GENERATED DOCUMENT - DO NOT SCALE THIS PRINT				RFP	CAD FILE	52A105383AA	SIZE	DRAWING NO.	REV.
				DIST			A	52A105383AA	5

