

PRODUCT INFORMATION PACKET

marathon[®]
Motors

Model No: 5KH33KN5594
Catalog No: H673
1/3,1425,DP,56Z,1/50/220
Open Drip Proof (ODP)



Regal and Marathon are trademarks of Regal Beloit Corporation or one of its affiliated companies.
©2018 Regal Beloit Corporation, All Rights Reserved. MC017097E

REGAL[®]

Product Information Packet: Model No: 5KH33KN5594, Catalog No:H673 1/3,1425,DP,56Z,1/50/220

Nameplate Specifications

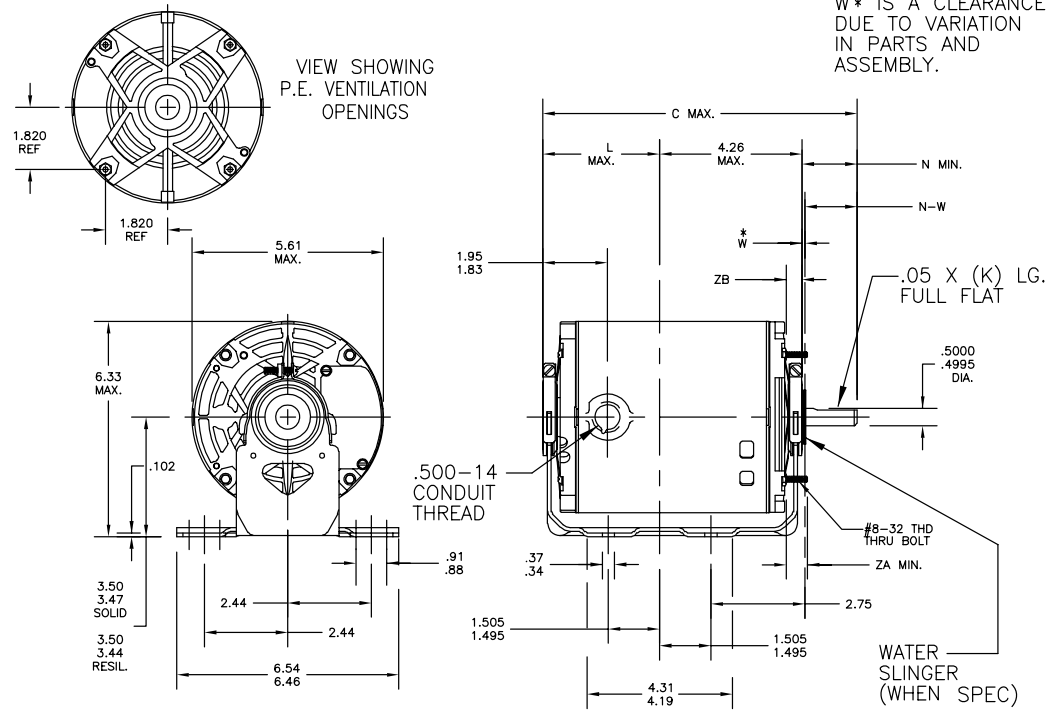
Output HP	1/3 Hp	Output KW	0.25 kW
Frequency	50 Hz	Voltage	220 V
Current	3.5 A	Speed	1425 rpm
Service Factor	1	Phase	1
Efficiency	59.5 %	Duty	Continuous
Insulation Class	B	KVA Code	S
Frame	56Z	Enclosure	Drip Proof
Overload Protector	NONE	Ambient Temperature	40 °C
Drive End Bearing Size	6203	Opp Drive End Bearing Size	6203
UL	Recognized	CSA	Yes
CE	N		

Technical Specifications

Electrical Type	Split Phase	Poles	4
Rotation	Counterclockwise/Clockwise	Mounting	Resilient Base
Motor Orientation	ANY	Drive End Bearing	BALL
Opp Drive End Bearing	BALL	Frame Material	Rolled Steel
Overall Length	9.19 in	Frame Length	5.41 in
Shaft Diameter	0.5 in	Shaft Extension	1.5 in
Outline Drawing	52A106985P4	Connection Diagram	52A105377AA

This is an uncontrolled document once printed or downloaded and is subject to change without notice. Date Created: 10/08/2018

52A106985



W* IS A CLEARANCE DUE TO VARIATION IN PARTS AND ASSEMBLY.

5	KH	38	56Z	11.61	1.50	5.23	2.00	2.13/1.91	.62	.55/.52
4	KH	33	56Z	9.19	1.16	3.48	1.50	1.63/1.41	.15	.55/.52
3	KH	35	56Z	10.18	1.50	3.80	2.00	2.13/1.91	.62	.55/.52
2	KH	37	56Z	11.01	1.50	4.63	2.00	2.13/1.91	.62	.55/.52
1	KH	33	56Z	9.19	1.16	3.48	1.50	1.63/1.41	.62	.55/.52
P	TYPE	RBC SIZE	NEMA FR	C	K	L	N	N-W	ZA	ZB

				TOLERANCES UNLESS SPECIFIED		DRAWN MAM 10/14/89	
				DEC.	INCHES	CHK	
				.X	±0.1	APPD DS 09/03/2014	
				.XX	±0.02	SCALE 1=1	
J	ECS DIMENSIONS ADDED PER ECO-0059212	JAH 09/3/2014	DS	.XXX	±0.005	TITLE OUTLINE	
8	CHG. TO RBC FORMAT PER ISO5-1777	ARC 02/15/06	ARC	.XXXX	±0.0005	FORM N - GENERAL PURPOSE MOTOR -DRIP	
NO.	REVISION	BY & DATE	CHK	ANG	±1.0	REF	
				RFP	CAD FILE	52A106985	SIZE DRAWING NO.
				DIST			A 52A106985
							REV. J



REGAL-BELOIT CORPORATION

THIS DRAWING IN DESIGN AND DETAIL IS OUR PROPERTY AND MUST NOT BE USED EXCEPT IN CONNECTION WITH OUR WORK ALL RIGHTS OF DESIGN AND INVENTION ARE RESERVED THIS IS AN ELECTRONICALLY GENERATED DOCUMENT - DO NOT SCALE THIS PRINT

