

# PRODUCT INFORMATION PACKET

**marathon**<sup>®</sup>  
Motors

Model No: 5KH32GNB815X  
Catalog No: H712  
1/3,1725/1425,DP,48Y,1/60/100-120/200-240  
Carbonator Pump



Regal and Marathon are trademarks of Regal Beloit Corporation or one of its affiliated companies.

©2018 Regal Beloit Corporation, All Rights Reserved. MC017097E

**REGAL**<sup>®</sup>

**Product Information Packet: Model No: 5KH32GNB815X, Catalog No:H712 1/3,1725/1425,DP,48Y,1/60/100-120/200-240**

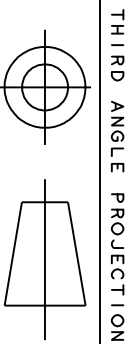
**Nameplate Specifications**

Output HP	<b>1/3 Hp</b>	Output KW	<b>0.25 kW</b>
Frequency	<b>60 Hz</b>	Voltage	<b>100-120/200-240 V</b>
Current	<b>5.5-5.6,2.7-2.8 A</b>	Speed	<b>1725/1425 rpm</b>
Service Factor	<b>1</b>	Phase	<b>1</b>
Efficiency	<b>63.7 %</b>	Duty	<b>Continuous</b>
Insulation Class	<b>B</b>	KVA Code	<b>L</b>
Frame	<b>48Y</b>	Enclosure	<b>Drip Proof</b>
Overload Protector	<b>AUTO</b>	Ambient Temperature	<b>40 °C</b>
Drive End Bearing Size	<b>6203</b>	Opp Drive End Bearing Size	<b>6203</b>
UL	<b>Recognized</b>	CSA	<b>Yes</b>
CE	<b>N</b>		

**Technical Specifications**

Electrical Type	<b>Split Phase</b>	Starting Method	<b>SM</b>
Poles	<b>4</b>	Rotation	<b>Counterclockwise/Clockwise</b>
Mounting	<b>Rigid Base</b>	Motor Orientation	<b>ANY</b>
Drive End Bearing	<b>BALL</b>	Opp Drive End Bearing	<b>BALL</b>
Frame Material	<b>Rolled Steel</b>	Overall Length	<b>9.38 in</b>
Frame Length	<b>5.16 in</b>	Shaft Diameter	<b>0.63 in</b>
Shaft Extension	<b>1.5 in</b>		
Outline Drawing	<b>52A111747P1</b>	Connection Diagram	<b>52A105383AA</b>

**This is an uncontrolled document once printed or downloaded and is subject to change without notice. Date Created: 10/08/2018**



THIRD ANGLE PROJECTION

REVISIONS

REV.

DESCRIPTION

DATE

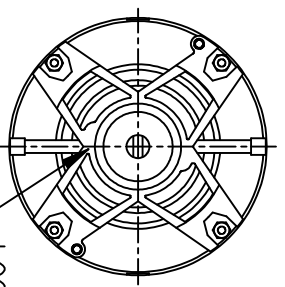
APPROVED

SHEET 1

REV 0

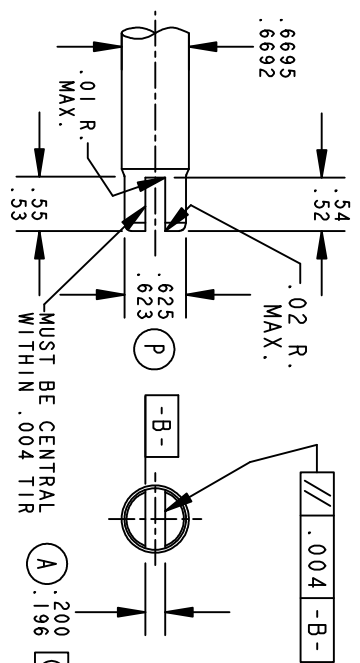
52A111747

SIZE A DRAWING NO.

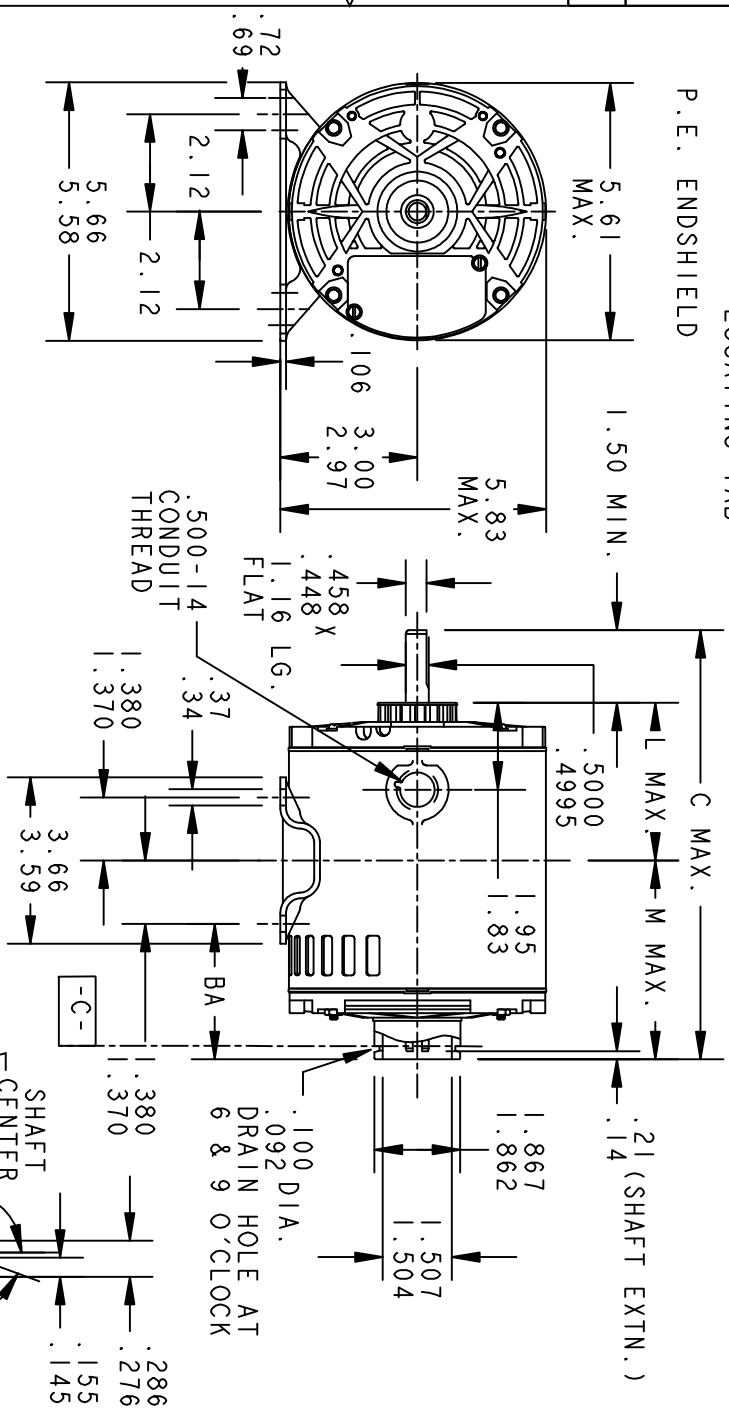


LOCATING TAB

P. E. ENDSHIELD



CONTROL SURFACES & DIMENSIONS  
 (P) PROC.  
 (E) ENG.  
 (A) APPL.  
 (R) REG.



I	KH	32	48Y	9.38	3.48	4.26	2.88/2.84	1.50
P	TYPE	GE	NEMA FR	C	L	M	BA	N
	SIZE							

**REGAL-BELOIT CORPORATION**

**OUTLINE**

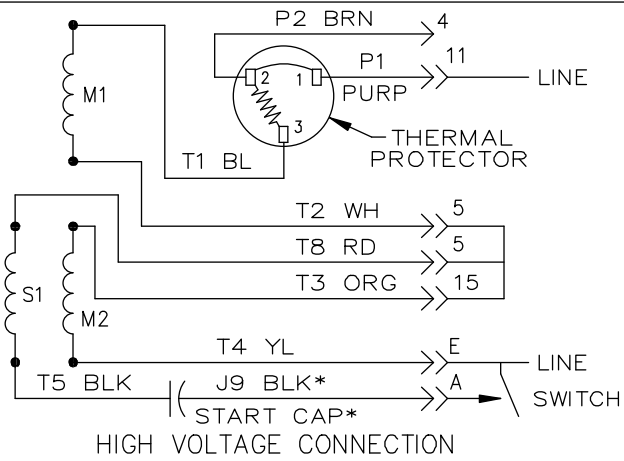
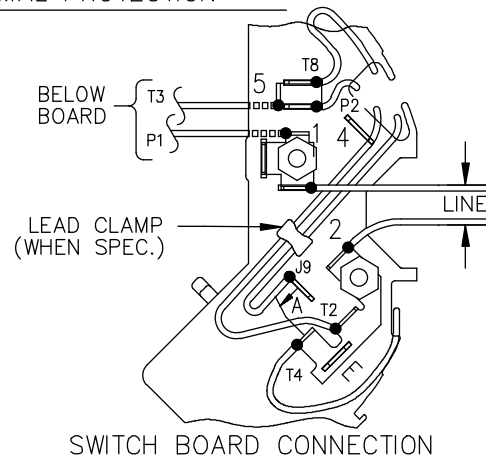
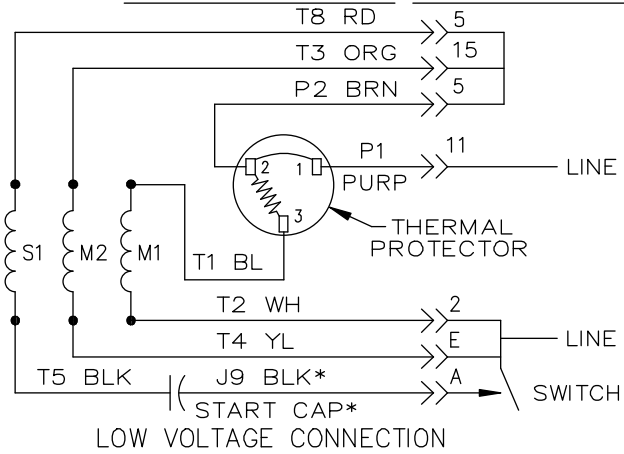
**CARBONATOR PUMP - DRIP PROOF - WELDED BASE - BALL BEARING**

FOR ADDITIONAL INFO REFER TO:	MODEL	DETAIL	CHECKED	ENGRG	MFG	QUALITY	ISSUED	SIGNATURES	DATE
APPLIED PRACTICES DIMENSIONS ARE IN INCHES	MADHU						06/13/06		06/13/06
	PRAVEEN.K								
	SOLID MODEL: 52A111747								

SCALE: 1.000 REF. No.: .  
 SIZE A DRAWING  
**52A111747**  
 REV 0

SHEET 1 of 1

EITHER ROTATION, DUAL VOLTAGE, TYPE KC OR KH, WITH THERMAL PROTECTION



NOTE #1 - START CAP & J9 WHEN SPECIFIED (\*). IF NO CAPACITOR (KH), CONNECT T5 DIRECTLY TO SWITCH (A). WHEN MORE THAN ONE CAPACITOR IS USED, CONNECT IN PARALLEL.

NOTE #2 - TO REVERSE ROTATION, INTER CHANGE RD(T8) AND BLK(J9-KC OR T5-KH) LEADS.

SWITCH REF. - 115D958AB	CONNECTION LABEL	CCW ROTATION: NP52X332051AA
		CW ROTATION: NP52X332051AC

				TOLERANCES UNLESS SPECIFIED		REGAL-BELOIT CORPORATION	DRAWN M.D.P 06/29/87			
				DEC.	INCHES		CHK			
				.X	±0.1	TITLE CONNECTION DIAGRAM 30 FRAME SWITCH REDESIGN	APPD M.D.P 03/26/96			
				.XX	±0.02		SCALE 1=1			
5	ADDED CONNECTION LABEL PER ECO-0030779	UD 02/06/13	PKG	.XXX	±0.005		MAT'L.	REF		
4	UPDATED PER ISO7-0150	MD 01/23/07		.XXXX	±0.0005			FMF		
NO.	REVISION	BY & DATE	CHK	ANG	±1.0	FINISH	PREV			
THIS DRAWING IN DESIGN AND DETAIL IS OUR PROPERTY AND MUST NOT BE USED EXCEPT IN CONNECTION WITH OUR WORK. ALL RIGHTS OF DESIGN AND INVENTION ARE RESERVED. THIS IS AN ELECTRONICALLY GENERATED DOCUMENT - DO NOT SCALE THIS PRINT				RFP		CAD FILE	52A105383AA	SIZE	DRAWING NO.	REV.
				DIST			A	52A105383AA	5	