

PRODUCT INFORMATION PACKET

marathon[®]
Motors

Model No: 5KH32GNB814X
Catalog No: HG681
1/3,1725/1425,DP,48Y,1/60/100-120/200-240
Carbonator Pump



Regal and Marathon are trademarks of Regal Beloit Corporation or one of its affiliated companies.
©2018 Regal Beloit Corporation, All Rights Reserved. MC017097E

REGAL[®]

Product Information Packet: Model No: 5KH32GNB814X, Catalog No:HG681 1/3,1725/1425,DP,48Y,1/60/100-120/200-240

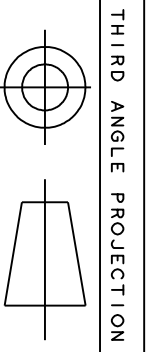
Nameplate Specifications

Output HP	1/3 Hp	Output KW	0.25 kW
Frequency	60 Hz	Voltage	100-120/200-240 V
Current	5.5-5.6,2.7-2.8 A	Speed	1725/1425 rpm
Service Factor	1	Phase	1
Efficiency	62 %	Duty	Continuous
Insulation Class	B	KVA Code	L
Frame	48Y	Enclosure	Drip Proof
Overload Protector	AUTO	Ambient Temperature	40 °C
Drive End Bearing Size	6203	Opp Drive End Bearing Size	6203
UL	Recognized	CSA	Yes
CE	N		

Technical Specifications

Electrical Type	Split Phase	Starting Method	SM
Poles	4	Rotation	Counterclockwise/Clockwise
Mounting	Rigid Base	Motor Orientation	ANY
Drive End Bearing	BALL	Opp Drive End Bearing	BALL
Frame Material	Rolled Steel	Overall Length	7.69 in
Frame Length	5.16 in	Shaft Diameter	0.63 in
Shaft Extension	0.17 in		
Outline Drawing	52A111746P1	Connection Diagram	52A105383AA

This is an uncontrolled document once printed or downloaded and is subject to change without notice. Date Created: 10/08/2018

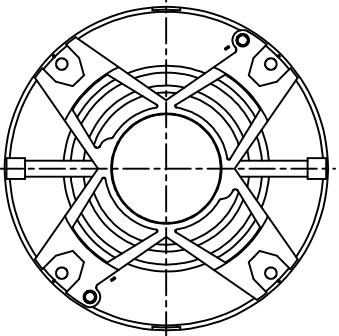


REVISIONS

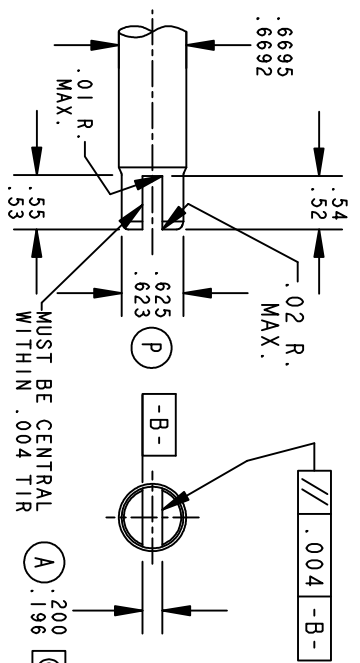
REV.	DESCRIPTION	DATE	APPROVED

SHEET 1

REV 0

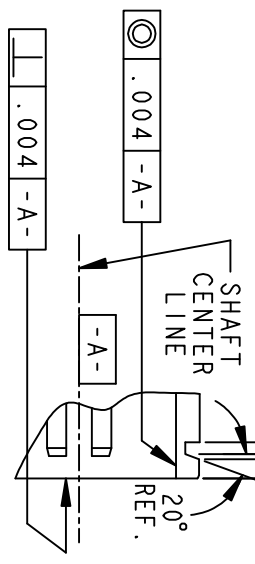
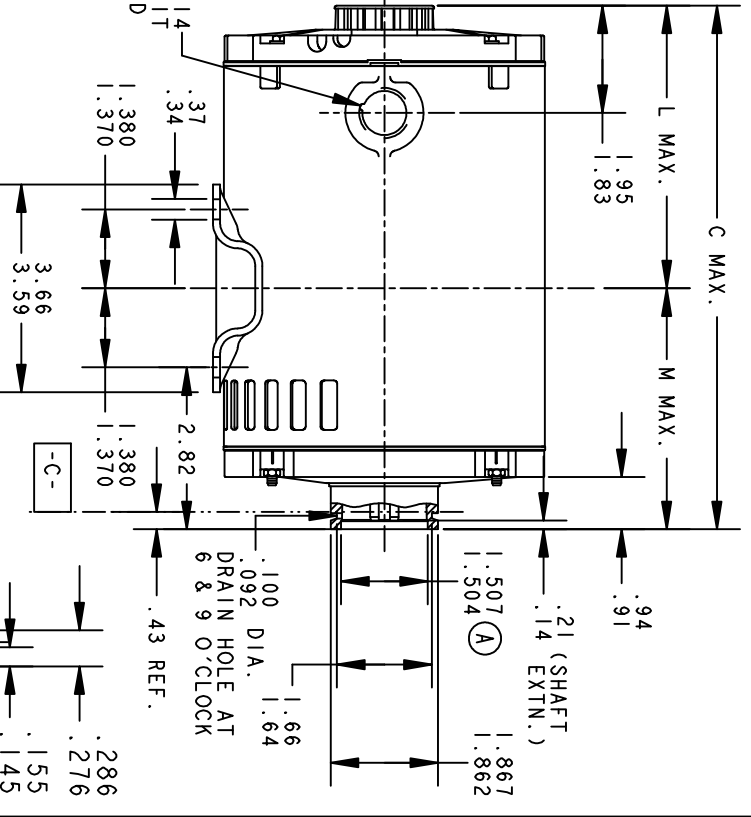
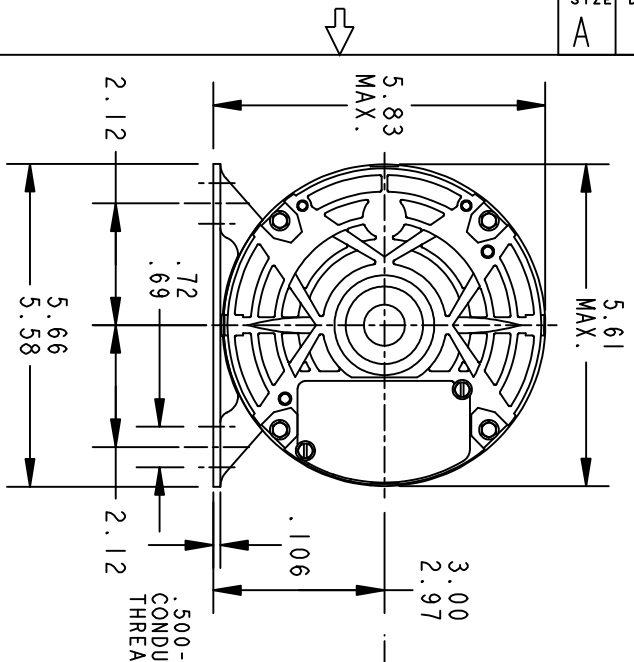


VIEW SHOWING P.E. VENTILATION OPENINGS



MUST BE CENTRAL WITHIN .004 TIR

CONTROL SURFACES & DIMENSIONS
 (P) PROC.
 (E) ENG.
 (A) APPL.
 (R) REG.



I	KH	32	48Y	7.69	3.55	4.28
P	TYPE	GE	NEMA	C	L	M
	SIZE	FR				

SIGNATURES		DATE
MODEL	SUDHA	06/09/06
DETAIL		
CHECKED		
ENGRG		
MFG		

REGAL-BELOIT CORPORATION

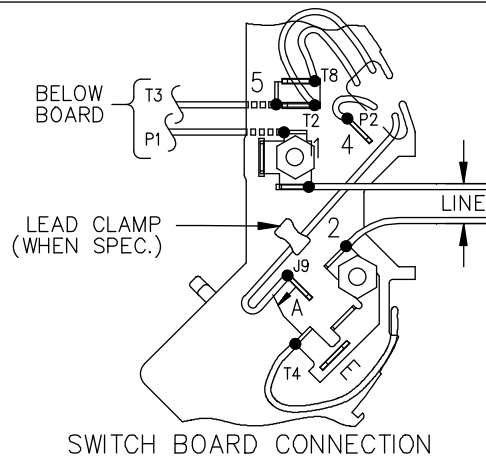
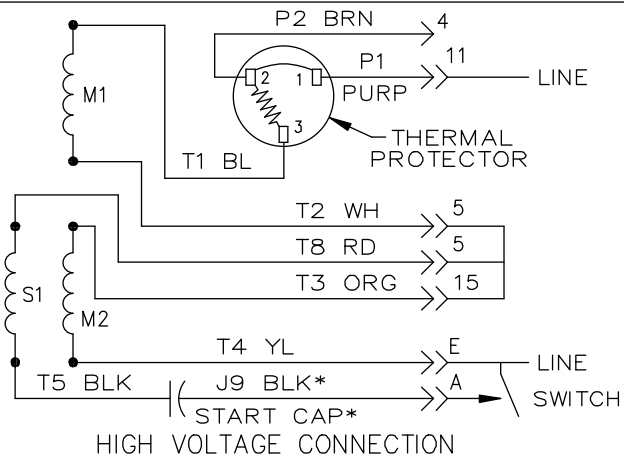
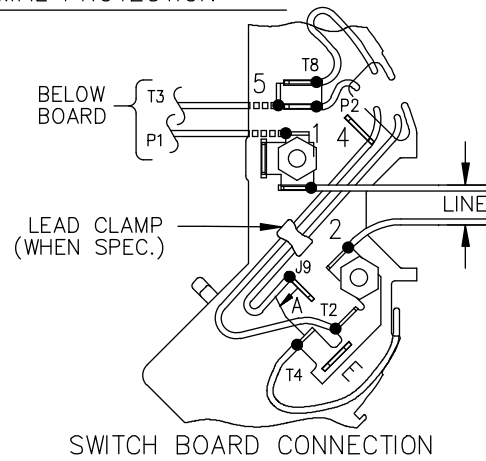
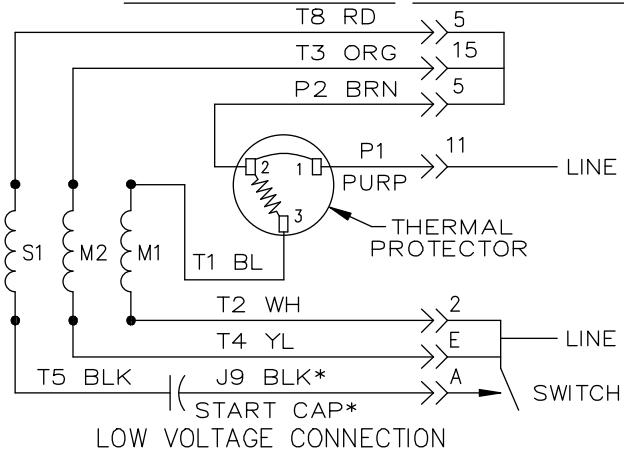
TITLE
OUTLINE
 CARBONATOR PUMP - OPEN -
 WELDED BASE - BALL BRG.

SIZE DRAWING
A

SCALE: 0.250 REF. No.: SHEET 1 OF 1

FOR ADDITIONAL INFO REFER TO:			
APPLIED PRACTICES	QUALITY	ISSUED	DURGA
DIMENSIONS ARE IN INCHES			06/09/06
MATERIAL	SOLID MODEL: 52A111746		

EITHER ROTATION, DUAL VOLTAGE, TYPE KC OR KH, WITH THERMAL PROTECTION



NOTE #1 - START CAP & J9 WHEN SPECIFIED (*). IF NO CAPACITOR (KH), CONNECT T5 DIRECTLY TO SWITCH (A). WHEN MORE THAN ONE CAPACITOR IS USED, CONNECT IN PARALLEL.

NOTE #2 - TO REVERSE ROTATION, INTER CHANGE RD(T8) AND BLK(J9-KC OR T5-KH) LEADS.

SWITCH REF. - 115D958AB	CONNECTION LABEL	CCW ROTATION: NP52X332051AA
		CW ROTATION: NP52X332051AC

				TOLERANCES UNLESS SPECIFIED		REGAL BELOIT	REGAL-BELOIT CORPORATION	DRAWN M.D.P 06/29/87		
				DEC.	INCHES			CHK		
				.X	±0.1			APPD M.D.P 03/26/96		
				.XX	±0.02	TITLE	CONNECTION DIAGRAM	SCALE 1=1		
5	ADDED CONNECTION LABEL PER ECO-0030779	UD 02/06/13	PKG	.XXX	±0.005		30 FRAME SWITCH REDESIGN	REF		
4	UPDATED PER ISO7-0150	MD 01/23/07		.XXXX	±0.0005	MAT'L.		FMF		
NO.	REVISION	BY & DATE	CHK	ANG	±1.0	FINISH		PREV		
THIS DRAWING IN DESIGN AND DETAIL IS OUR PROPERTY AND MUST NOT BE USED EXCEPT IN CONNECTION WITH OUR WORK. ALL RIGHTS OF DESIGN AND INVENTION ARE RESERVED. THIS IS AN ELECTRONICALLY GENERATED DOCUMENT - DO NOT SCALE THIS PRINT				RFP		CAD FILE	52A105383AA	SIZE	DRAWING NO.	REV.
				DIST				A	52A105383AA	5