

PRODUCT INFORMATION PACKET

marathon[®]
Motors

Model No: 5KH32EN5015U
Catalog No: 4785
1/4,3450,TENV,48N,1/60/115
Single Phase



Regal and Marathon are trademarks of Regal Beloit Corporation or one of its affiliated companies.

©2018 Regal Beloit Corporation, All Rights Reserved. MC017097E

REGAL



Nameplate Specifications

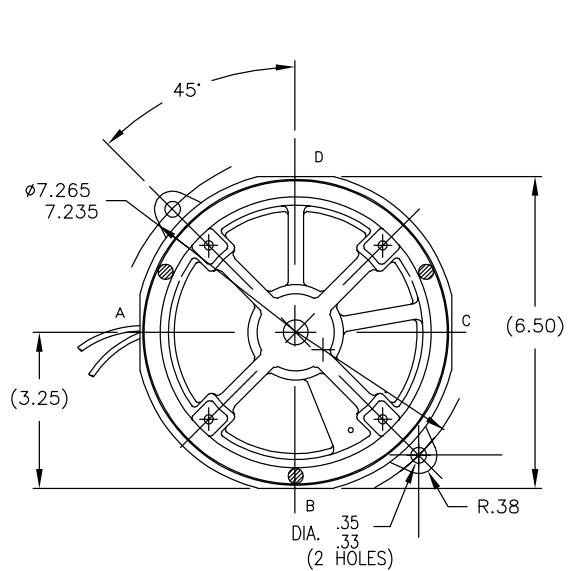
Output HP	0.25 Hp	Output KW	0.19 kW
Frequency	60 Hz	Voltage	115 V
Current	4.1 A	Speed	3450 rpm
Service Factor	1	Phase	1
Efficiency	56 %	Duty	Continuous
Insulation Class	B	KVA Code	P
Frame	48N	Enclosure	Totally Enclosed Non Ventilated
Overload Protector	MAN	Ambient Temperature	40 °C
Drive End Bearing Size	0.5	Opp Drive End Bearing Size	0.5
UL	Recognized	CSA	Yes
CE	N		

Technical Specifications

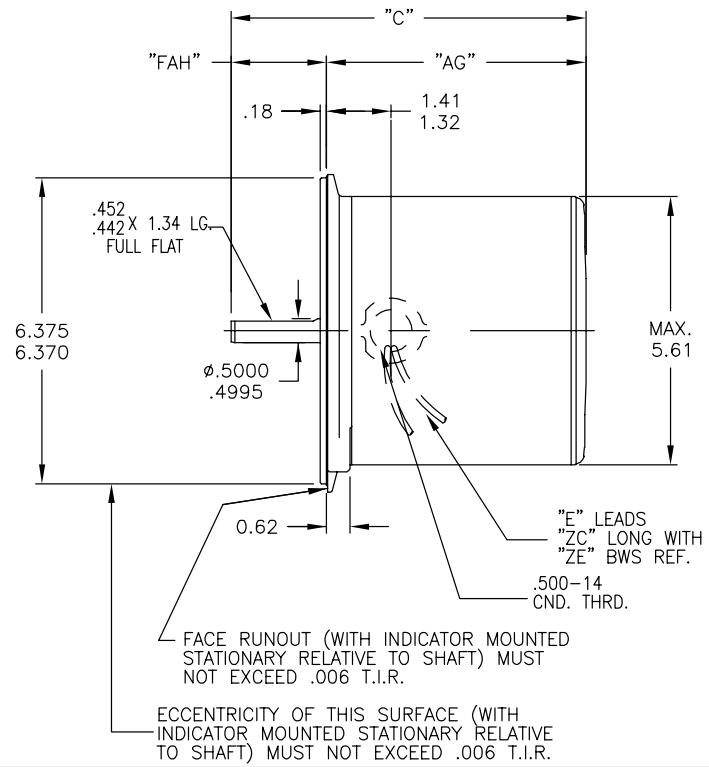
Electrical Type	Split Phase	Starting Method	SM
Poles	2	Rotation	Selective Clockwise
Mounting	Round	Motor Orientation	Any
Drive End Bearing	BALL	Opp Drive End Bearing	BALL
Frame Material	Rolled Steel	Overall Length	8.2 in
Frame Length	5.16 in	Shaft Diameter	0.500 in
Shaft Extension	1.88 in	Thru-bolts Extension	0
Outline Drawing	52A113117P1	Connection Diagram	52A105379AH

This is an uncontrolled document once printed or downloaded and is subject to change without notice. Date Created: 06/29/2018

52A113117



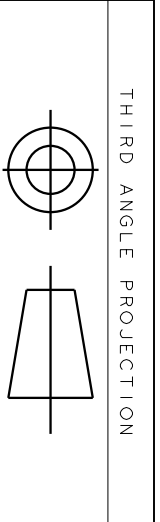
THESE HOLES FIT A GAGE HAVING A RABBET 6.375 DIA. AND 2 PINS .3309 DIA. LOCATED ON THE BASIC HOLE POSITIONS.



I	KH	32	48N	8.20	6.11	2	22/20	.69	2.09/1.97		5.16
P	TYPE	RBC SIZE	NEMA FR	"C"	"AG"	"E"	"ZC"	"ZE"	"FAH"		MIN. SHELL

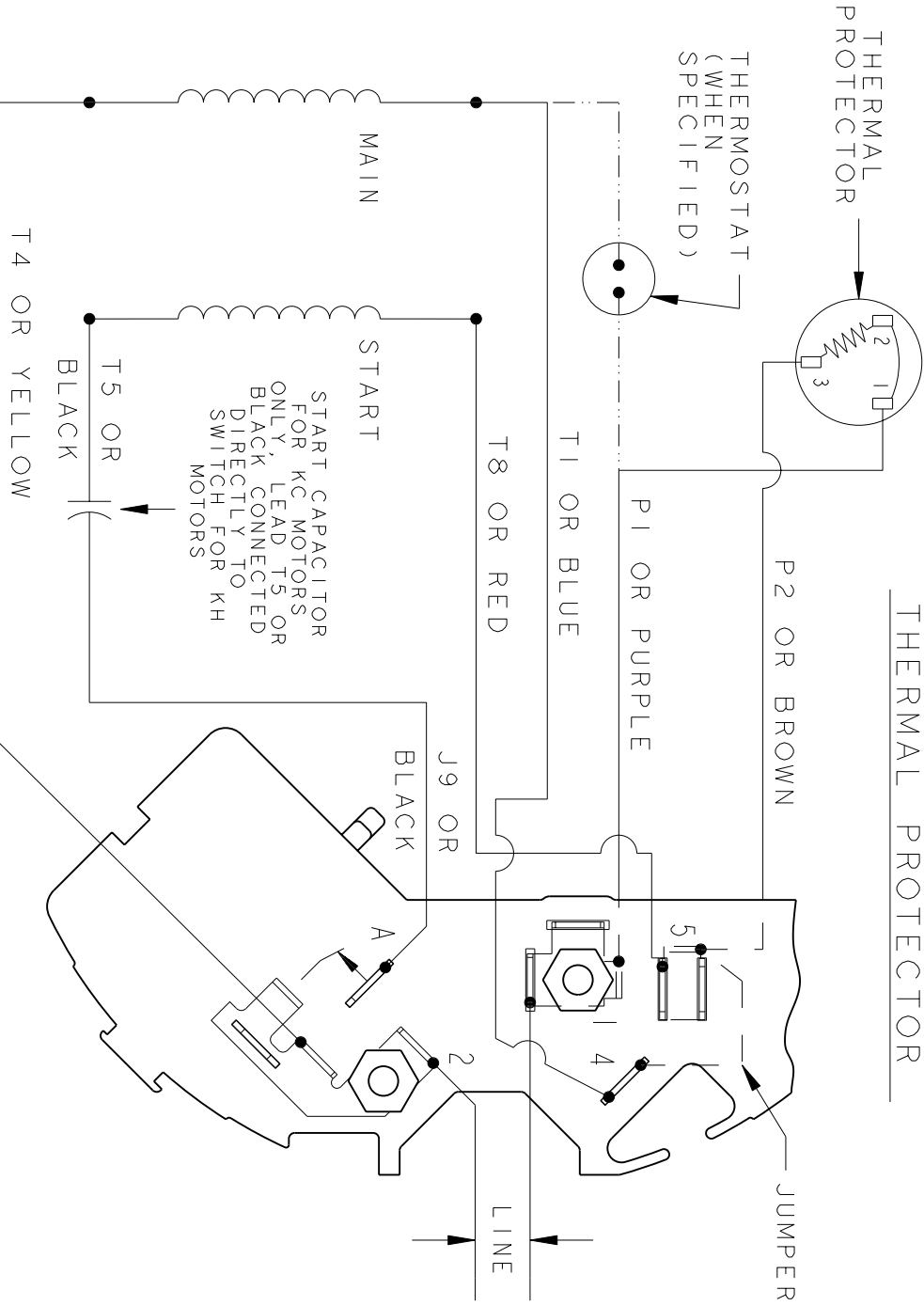


		TOLERANCES UNLESS SPECIFIED		DRAWN PVK 10/16/11						
		DEC.	INCHES	CHK						
		.X	±0.1	APPD PVK 10/16/11						
		.XX	±0.02	SCALE NTS						
		.XXX	±0.005	REF						
01	DIMENSIONS CHANGED PER ECO-0053332	PVR	06/11/14	DS	.XXXX ±0.0005	MAT'L.	FMF	5KH33GN5014Y		
NO.	REVISION	BY & DATE	CHK	ANG	±1.0	FINISH	PREV			
THIS DRAWING IN DESIGN AND DETAIL IS OUR PROPERTY AND MUST NOT BE USED EXCEPT IN CONNECTION WITH OUR WORK ALL RIGHTS OF DESIGN AND INVENTION ARE RESERVED THIS IS AN ELECTRONICALLY GENERATED DOCUMENT - DO NOT SCALE THIS PRINT		RFP	CAD FILE	52A113117	SIZE	DRAWING NO.	REV.			
		DIST			A	52A113117	01			



THIRD ANGLE PROJECTION		REVISIONS		
REV.	DESCRIPTION	DATE	APPROVED	
1	UPDATED FORMAT	12/01/05	MAM	

EITHER ROTATION - SINGLE VOLTAGE
TYPE KC OR KH WITH
THERMAL PROTECTOR



NOTE #1 - TO REVERSE ROTATION INTERCHANGE RED (T8) AND BLACK (J9-KC OR T5-KH) LEADS.
NOTE #2 - WHEN MORE THAN ONE CAPACITOR IS USED CONNECT IN PARALLEL.

REF. DIAGS. - 121A851 CONNECTION LABEL - NP52X332048

SIGNATURES	DATE
MODEL	M.D. PAPER
DETAIL	
CHECKED	
ENGRG	
MFG	
QUALITY	
ISSUED	M.D. P.
SOLID MODEL: 52A105379AH	08/18/88

REGAL-BELOTT CORPORATION

REGAL-BELOTT

CONNECTION DIAGRAM

FME: 30FR SWITCH REDESIGN (SIM TO 52A105379AA)

SIZE DRAWING A

SCALE: 1.000 REF. No.:

52A105379AH

REV 1

SHEET 1 of 1