

PRODUCT INFORMATION PACKET

marathon[®]
Motors

Model No: 5KCR49ZN2151U

Catalog No: 9038

5 HP Air Compressor Motor, 1 phase, 3600 RPM, 230 V, 56H Frame, ODP
Air Compressor Motors



Regal and Marathon are trademarks of Regal Beloit Corporation or one of its affiliated companies.
©2019 Regal Beloit Corporation, All Rights Reserved. MC017097E

REGAL



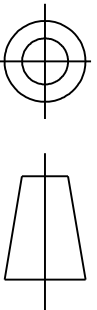
Nameplate Specifications

Output HP	5 Hp	Output KW	3.73 kW
Frequency	60 Hz	Voltage	230 V
Current	21.0 A	Speed	3450 rpm
Service Factor	1	Phase	1
Efficiency	0 %	Power Factor	0
Duty	Continuous	Insulation Class	F1
KVA Code	F	Frame	56H
Enclosure	Drip Proof	Thermal Protection	MAN
Ambient Temperature	40 °C	Drive End Bearing Size	6205
Opp Drive End Bearing Size	6203	UL	Recognized
CE	N		

Technical Specifications

Electrical Type	Capacitor Start Capacitor Run(CSCR)	Starting Method	SM
Poles	2	Rotation	Clockwise
Mounting	Rigid	Motor Orientation	ANY
Drive End Bearing	BALL	Opp Drive End Bearing	BALL
Overall Length	15.04 in	Frame Length	10.71 in
Shaft Extension	.625 X 1.88 - .188 X .188 KEY in		

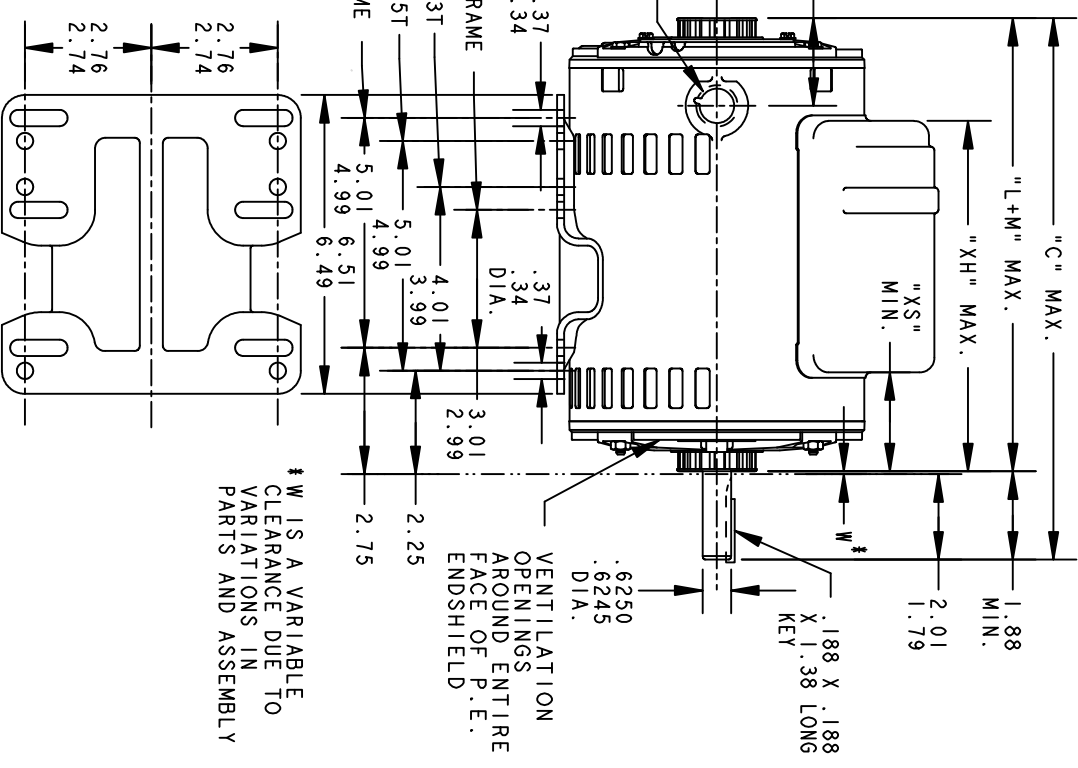
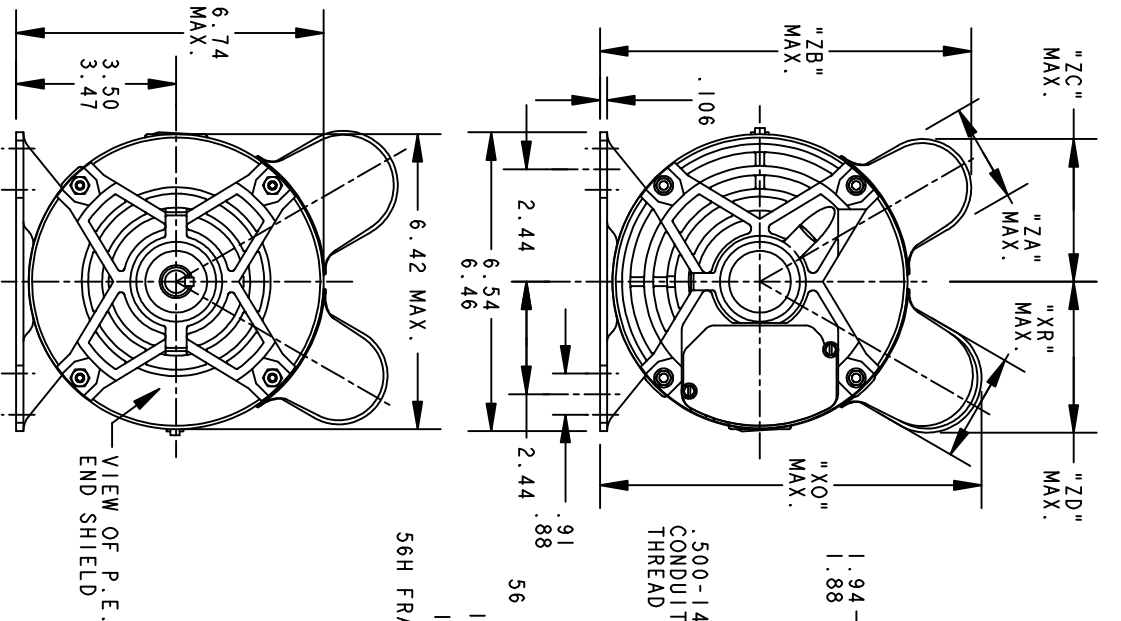
This is an uncontrolled document once printed or downloaded and is subject to change without notice. Date Created:01/11/2019



THIRD ANGLE PROJECTION

REVISIONS		REV.	DESCRIPTION	DATE	APPROVED
3	ADDED PART #3	3		03/01/07	MADHU
4	UPDATED AS PER SAMPLE REPORT DS-1914.	4		09/15/11	KARTHIK

SIZE A DRAWING NO. 52A109641 REV 4 SHEET 1



P	TYPE	RBC SIZE	NEMA FR	"C"	"L+M"	"XH"	"XO"	"XR"	"XS"	"ZA"	"ZB"	"ZC"	"ZD"	MIN. SHELL
3	KCR	49	56H	15.04	13.04	9.74	8.39	2.40	4.08	2.40	8.39	3.46	3.33	10.71
2	KCR	49	56H	15.04	13.04	9.74	8.39	2.40	4.05	2.10	8.16	3.15	3.33	10.71
1	KCR	49	56H	13.96	11.96	9.67	8.39	2.40	4.00	2.10	8.16	3.15	3.33	9.63

SIGNATURES		DATE
MODEL	M.D. PAPE	06/28/94
DETAIL		
CHECKED		
ENGRG		
MFG		
QUALITY		
ISSUED	M.D. PAPE	06/28/94

REGAL-BELOIT CORPORATION

OUTLINE

40 FRAME REDESIGN - GENERAL PURPOSE MOTOR - DRIP PROOF - BALL BEARING - WELDED BASE

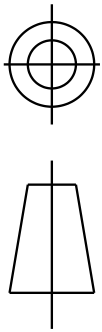
SIZE A DRAWING 52A109641 REV 4

FOR ADDITIONAL INFO REFER TO:		
APPLIED PRACTICES	QUALITY	
DIMENSIONS ARE IN INCHES	ISSUED	06/28/94
MATERIAL	SOLID MODEL: 52A109641	

SCALE: 0.250 REF. No.: SHEET 1 OF 1

This document is the property of REGAL-BELOIT CORPORATION ("RBC") including its subsidiaries and divisions and contains proprietary information of RBC. This document is loaned on the express condition that neither the recipient nor any other person shall make any copies of this document without the express written consent of RBC and that the information shall be used only for the purposes intended and shall be returned to RBC upon request. This document may be subject to certain restrictions under U.S. export control laws and regulations.

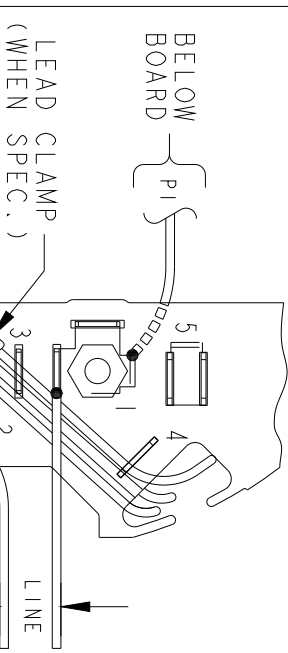
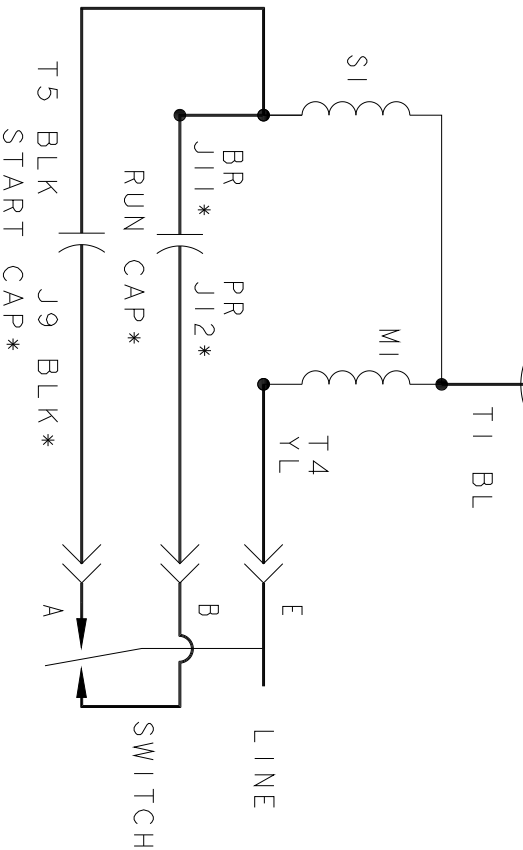
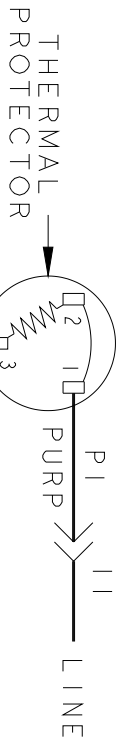
THIRD ANGLE PROJECTION



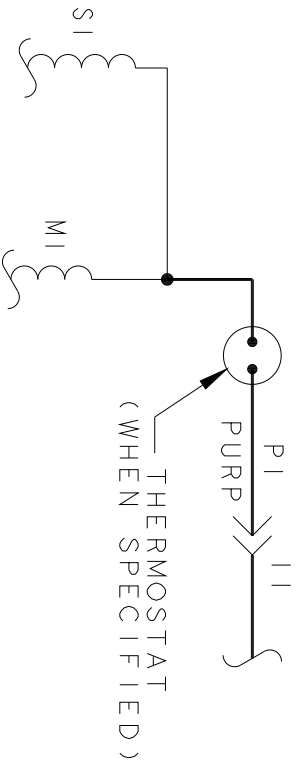
52A110594 0

DRAWING NO.

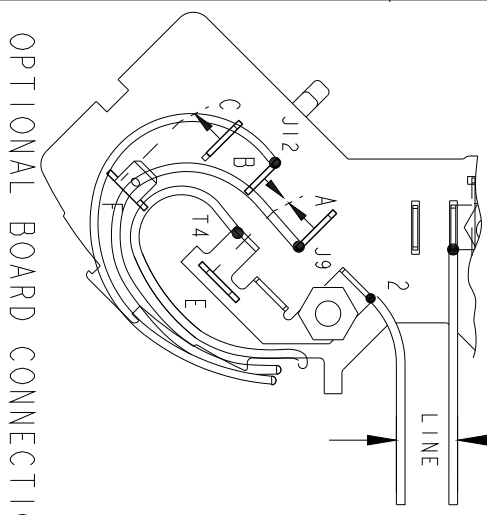
SIZE
A



SWITCH BOARD CONNECTION



(OPTIONAL PROTECTOR DESIGN)



OPTIONAL BOARD CONNECTION

SET ROTATION, SINGLE VOLTAGE, TYPE KC, KCR OR KH WITH THERMAL PROTECTION

NOTE #1 - START CAP & J9 WHEN SPECIFIED (*). IF NO CAPACITOR (KH), CONNECT T5 DIRECTLY TO SWITCH (A). WHEN MORE THAN ONE CAPACITOR IS USED, CONNECT IN PARALLEL.

NOTE #2 - EXTRA START (S2), RUN CAP, J11, & J12 WHEN SPECIFIED.

SWITCH (C) - 115D958BC

CONN. LABEL - 52X332046AA

FOR ADDITIONAL INFO REFER TO:

SIGNATURES

DATE

APPLIED PRACTICES

MODEL

02/06/06

DIMENSIONS ARE IN INCHES

DETAIL

.

TOLERANCE ON:

CHECKED

.

1 PL DECIMALS ± 0.1

ENGRG

.

2 PL DECIMALS ± 0.02

MFG

.

3 PL DECIMALS ± 0.005

QUALITY

.

FRACTIONS ±

ISSUED

.

FINISH

GOVARDAN

02/06/06

MATERIAL

SOLID MODEL: 52A110594



REGAL-BELOIT CORPORATION

TITLE
CONNECTION DIAGRAM

FMF : 30 FRAME SWITCH REDESIGN, 5KCR49ZN2151BU

SIZE: DRAWING

A

52A110594

REV
0

SCALE: 1.000 REF. No:

SHEET 1 of 1