

PRODUCT INFORMATION PACKET

marathon[®]
Motors

Model No: 5KCR49UN0079U
Catalog No: C1294
1,1725/1425,TEFC,56NY,1/60/115/208-230
Auger Drive



Regal and Marathon are trademarks of Regal Beloit Corporation or one of its affiliated companies.
©2018 Regal Beloit Corporation, All Rights Reserved. MC017097E

REGAL[®]

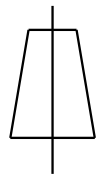
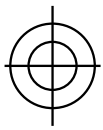
Nameplate Specifications

Output HP	1 Hp	Output KW	0.75 kW
Frequency	60 Hz	Voltage	115/208-230 V
Current	10.8,6.0-5.4 A	Speed	1725 rpm
Service Factor	1	Phase	1
Efficiency	74 %	Duty	Continuous
Insulation Class	B	KVA Code	M
Frame	56NY	Enclosure	Totally Enclosed Fan Cooled
Overload Protector	MAN	Ambient Temperature	40 °C
Drive End Bearing Size	6203	Opp Drive End Bearing Size	6203
UL	Recognized	CSA	Yes
CE	N		

Technical Specifications

Electrical Type	Capacitor Start Capacitor Run(CSCR)	Starting Method	SM
Poles	4	Rotation	Counterclockwise/Clockwise
Mounting	Round	Motor Orientation	Any
Drive End Bearing	BALL	Opp Drive End Bearing	BALL
Frame Material	Rolled Steel	Overall Length	14.51 in
Frame Length	8.99 in	Shaft Diameter	0.630 in
Shaft Extension	1.88 in		
Outline Drawing	52A107769P1	Connection Diagram	52A105383BA

This is an uncontrolled document once printed or downloaded and is subject to change without notice. Date Created: 06/29/2018

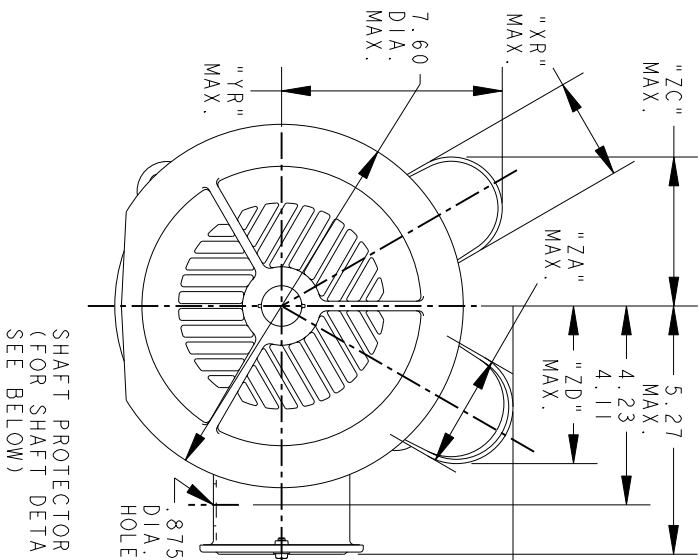


REV. 4

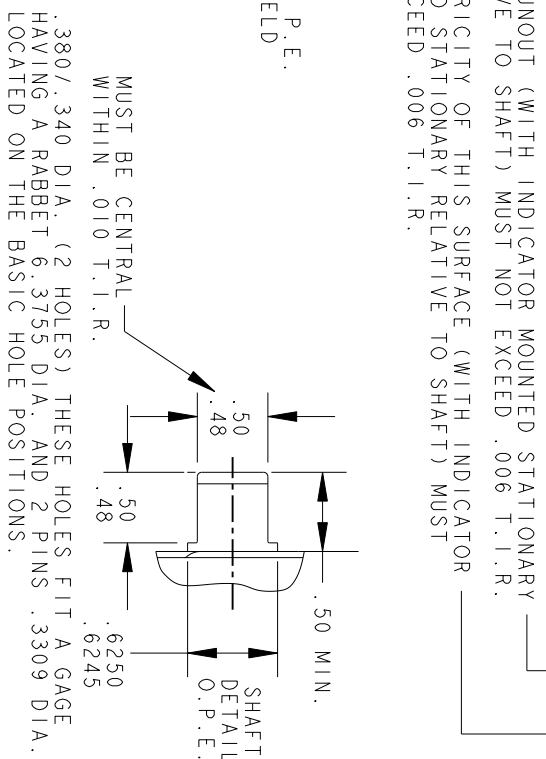
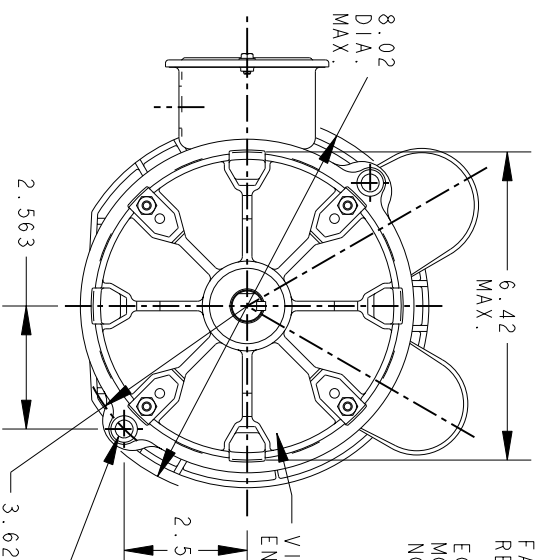
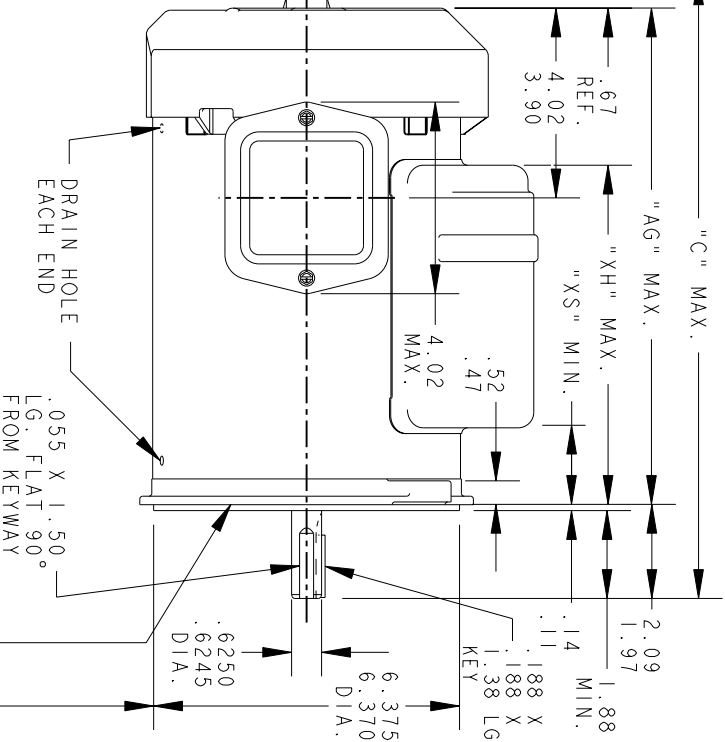
CHG TO RBC FORMAT PER IS05-1777

03/02/06

SUDHA



SHAFT PROTECTOR
(FOR SHAFT DETAIL
SEE BELOW)



FACE RUNOUT (WITH INDICATOR MOUNTED STATIONARY RELATIVE TO SHAFT) MUST NOT EXCEED .006 T.I.R.
ECCENTRICITY OF THIS SURFACE (WITH INDICATOR MOUNTED STATIONARY RELATIVE TO SHAFT) MUST NOT EXCEED .006 T.I.R.

MUST BE CENTRAL WITHIN .010 T.I.R.
.380/.340 DIA. (2 HOLES) THESE HOLES FIT A GAGE HAVING A RABBIT 6.3755 DIA. AND 2 PINS .3309 DIA. LOCATED ON THE BASIC HOLE POSITIONS.

ALL DIMENSIONS ARE IN INCHES

P	TYPE	GE	SIZE	FR.	"C"	"AG"	"XH"	"YR"	"XR"	"XS"	"ZA"	"ZB"	"ZC"	"ZD"	MIN. SHELL
1	KCR	49	56NY	14.51	11.73	7.77	4.68	2.15	2.02	2.72	5.27	3.20	3.66	8.99	

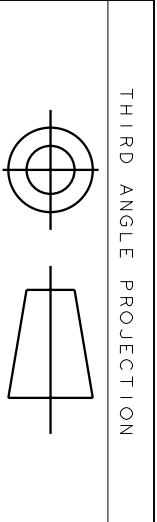
SIGNATURES		DATE
MODEL	M.D. PAPE	11/22/91
DETAIL		
CHECKED		
ENGRG		
MFG		
QUALITY		
ISSUED	M.A.M.	07/07/94
SOLID MODEL: 52A107769		

TITLE
REGAL-BELOIT CORPORATION
OUTLINE
SPECIAL PURPOSE MOTOR TEFC

BALL BEARING - 2 LUG FLANGE FWF: 5KCR49UN0079U

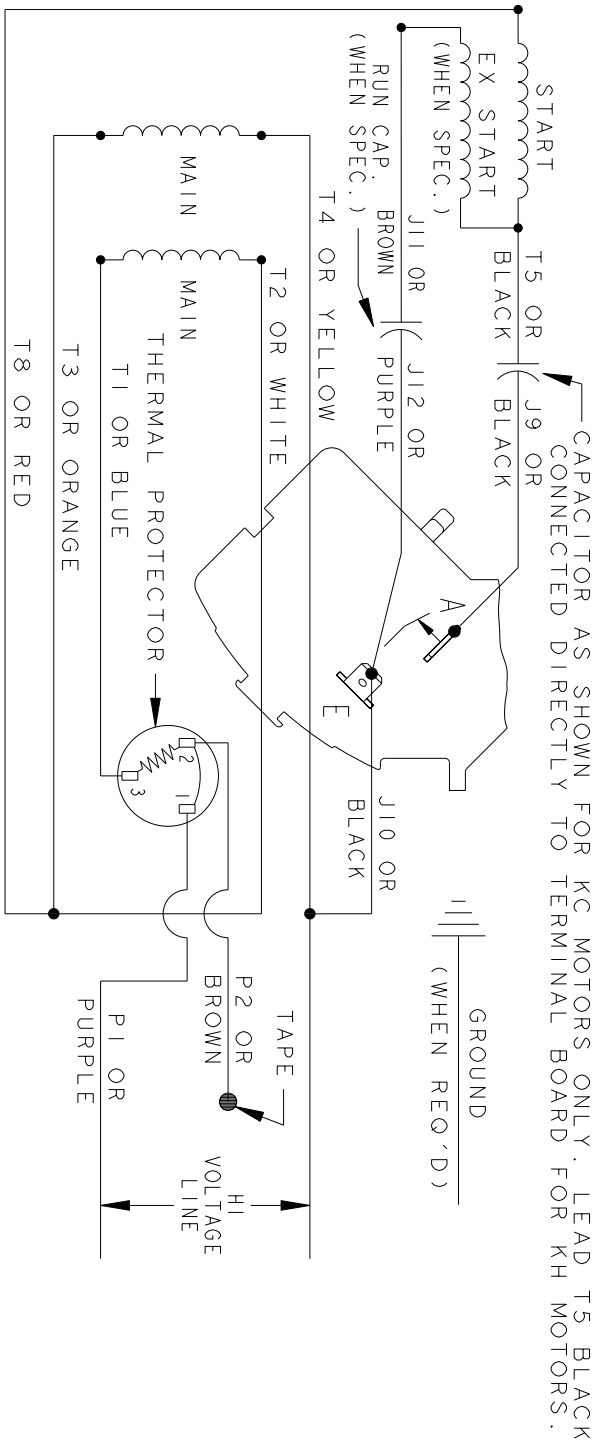
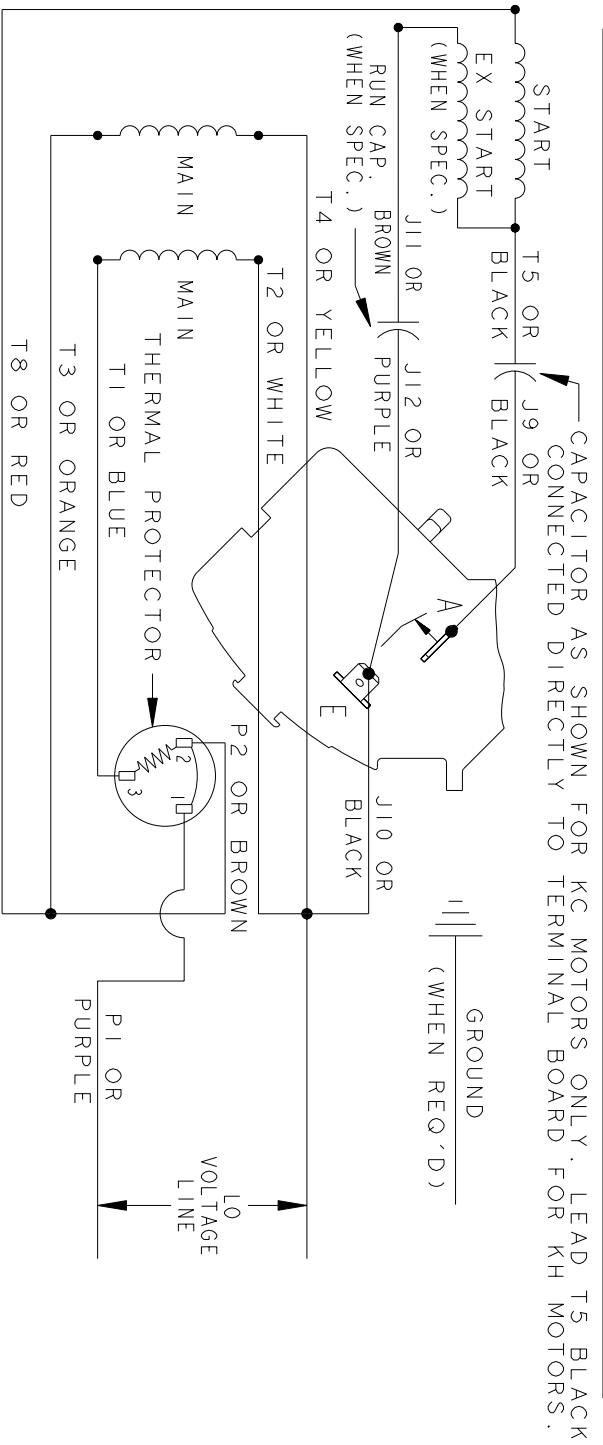
SCALE: 0.250 REF. No.:
52A107769
REV 4

SHEET 1 of 1



REV.	DESCRIPTION	DATE	APPROVED
7	UPDATED FORMAT	01/05/06	MAM

CCW/CW ROTATION - DUAL VOLTAGE
TYPE KC, KH OR KCR - WITH THERMAL PROTECTOR



NOTE#1 - TO REVERSE ROTATION, INTERCHANGE T8 RED AND J10 BLACK LEADS.
NOTE#2 - WHEN MORE THAN ONE CAPACITOR IS USED, CONNECT IN PARALLEL.
NOTE#3 - 115D958ABP5 - HIGH CURRENT CONTACTS.

SWITCH (C) - 115D958ABP5, SWITCH (H) - 115D958AA (USE 115D958DA FOR EP)

REF. DIAG. - 113A327, 119A9352 & 52A102102 CONNECTION LABEL - 52X332912

SIGNATURES		DATE
MODEL	M.D.P.	06/29/81
DETAIL		
CHECKED		
ENGRG		
MFG		
QUALITY		
ISSUED	M.D.P.	12/11/97
MATERIAL	SOLID MODEL: 52A105383BA	

REGAL-BELOIT CORPORATION

REGAL-BELOIT

CONNECTION DIAGRAM

FME: 30 FRAME SWITCH REDESIGN

SIZE DRAWING: A

SCALE: 1.000 REF. No.:

REV 7