

PRODUCT INFORMATION PACKET

marathon[®]
Motors

Model No: 5KCR49PN0098X
Catalog No: EG272
3/4,1725/1425,DP,56,1/60/100-120/200-240
Open Drip Proof (ODP)



Regal and Marathon are trademarks of Regal Beloit Corporation or one of its affiliated companies.
©2018 Regal Beloit Corporation, All Rights Reserved. MC017097E

REGAL[®]

Nameplate Specifications

Output HP	0.75 Hp	Output KW	0.56 kW
Frequency	60 Hz	Voltage	100-120/200-240 V
Current	9.0-8.8,4.5-4.4 A	Speed	1725 rpm
Service Factor	1	Phase	1
Efficiency	75.2 %	Duty	Continuous
Insulation Class	B	KVA Code	M
Frame	56	Enclosure	Drip Proof
Overload Protector	AUTO	Ambient Temperature	40 °C
Drive End Bearing Size	6203	Opp Drive End Bearing Size	6203
UL	Recognized	CSA	Yes
CE	N		

Technical Specifications

Electrical Type	Capacitor Start Capacitor Run(CSCR)	Starting Method	SM
Poles	4	Rotation	Selective Counterclockwise
Mounting	Resilient Base	Motor Orientation	Any
Drive End Bearing	BALL	Opp Drive End Bearing	BALL
Frame Material	Rolled Steel	Overall Length	11.37 in
Frame Length	7.15 in	Shaft Diameter	0.630 in
Shaft Extension	1.88 in		
Outline Drawing	52A107705P4	Connection Diagram	52A105383AC

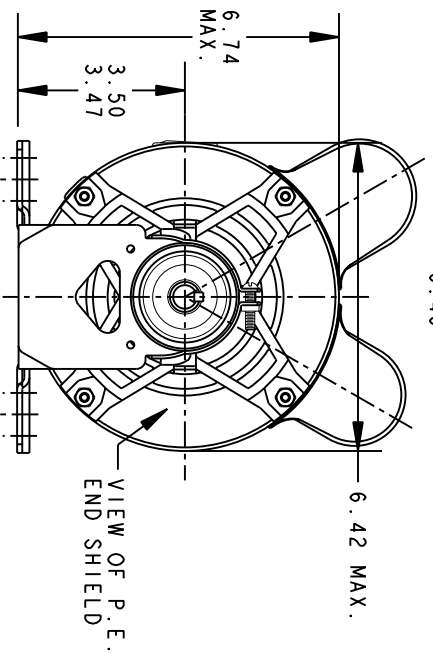
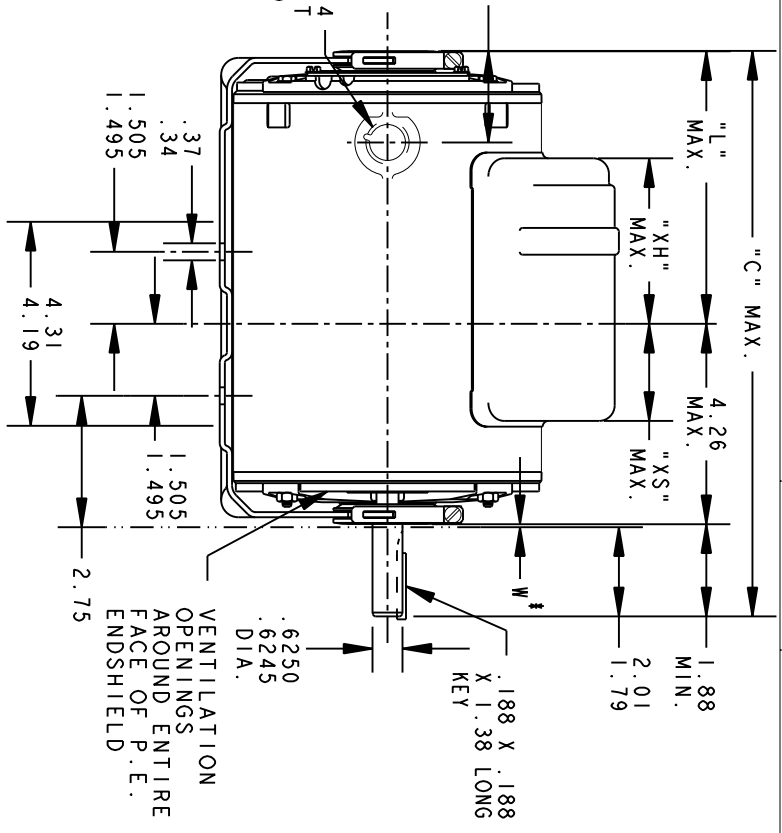
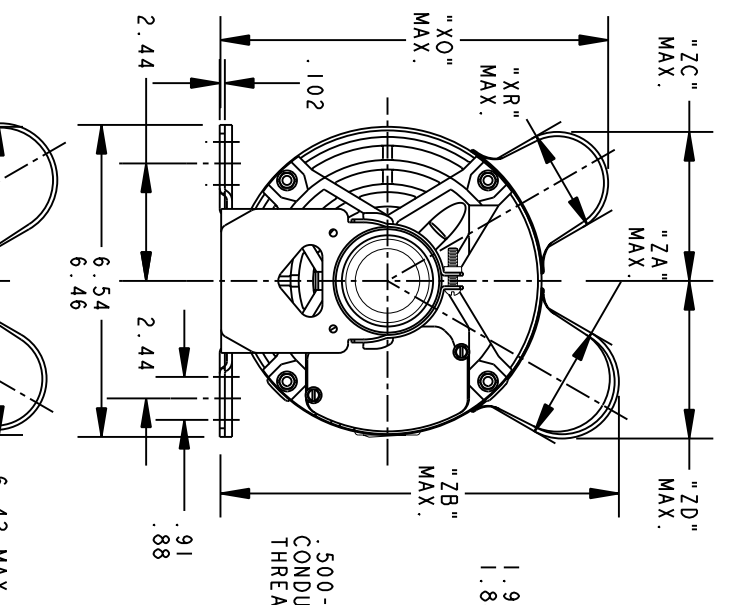
This is an uncontrolled document once printed or downloaded and is subject to change without notice. Date Created: 07/02/2018

THIRD ANGLE PROJECTION



REVISIONS

REV.	DESCRIPTION	DATE	APPROVED
12	CHG TO RBC FORMAT PER IS05-1777	03/01/06	SUDHA



* W IS A VARIABLE CLEARANCE DUE TO VARIATIONS IN PARTS AND ASSEMBLY

7	6	5	4	3	2	1	P	GE	NEMA	"C"	"L"	"XH"	"XO"	"XR"	"XS"	"ZA"	"ZB"	"ZC"	"ZD"	MIN. SHELL
KCR	KCR	KCR	KCR	KCR/KC	KCR	KCR	KCR	48	56	12.66	6.50	3.58	8.18	2.15	2.17	2.40	8.40	3.20	3.38	8.43
49	49	49	49	46	49	49	49	56	56	11.91	5.75	3.58	8.18	2.15	2.17	1.60	7.81	3.20	2.86	7.68
49	49	49	49	56	56	56	56	56	56	10.37	4.23	2.86	8.18	2.15	2.89	1.60	7.72	3.20	2.97	6.15
49	49	49	49	56	56	56	56	56	56	11.37	5.23	3.52	8.18	2.15	2.23	2.40	8.40	3.20	3.38	7.15
49	49	49	49	56	56	56	56	56	56	10.77	4.63	2.92	8.18	2.15	2.83	2.40	8.40	3.20	3.38	6.55
49	49	49	49	56	56	56	56	56	56	11.91	5.75	3.58	8.18	2.15	2.17	2.72	8.77	3.20	3.66	7.68
49	49	49	49	56	56	56	56	56	56	11.91	5.75	3.58	8.18	2.15	2.17	2.40	8.40	3.20	3.38	7.68



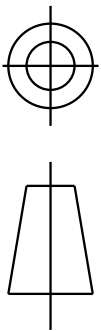
REGAL-BELOTT CORPORATION

OUTLINE

40 FRAME REDESIGN - GENERAL PURPOSE MOTOR - DRIP PROOF - BALL BEARING - RESILIENT BASE

SIGNATURES	DATE
MODEL M.D. PAPER	05/24/91
DETAIL	
CHECKED	
ENGRG	
MFG	
QUALITY	
ISSUED	M.D. PAPER 05/04/95
SOLID MODEL: 52A107705	

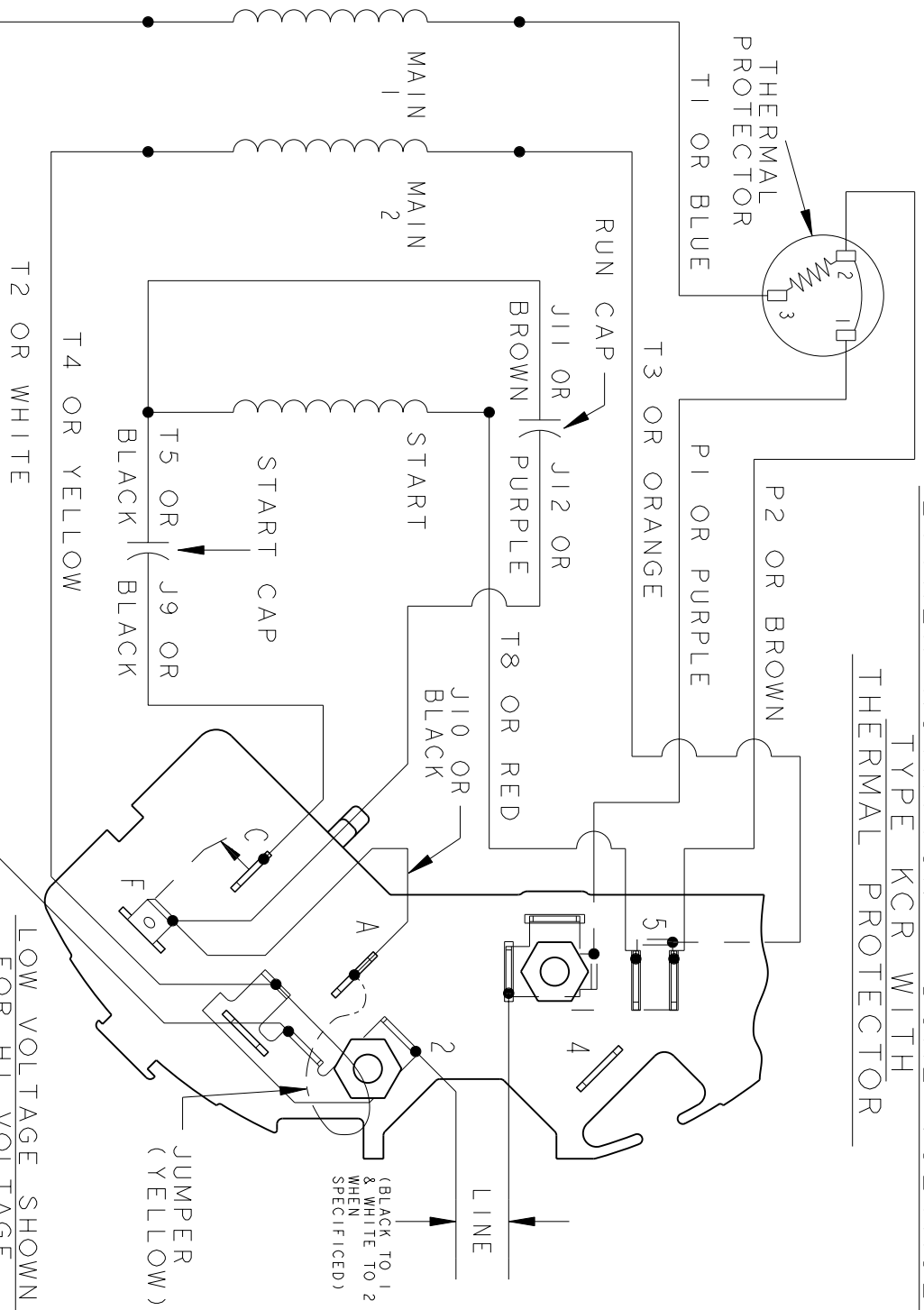
TITLE	SCALE	REF. No.	SHEET 1 of 1
40 FRAME REDESIGN - GENERAL PURPOSE MOTOR - DRIP PROOF - BALL BEARING - RESILIENT BASE	0.250		
SIZE DRAWING A			
REV 12			



REV.	DESCRIPTION	DATE	APPROVED
4	ADDED NOTE FOR LINE LEAD PER DS09-1045	07/15/09	ARCHANA

EITHER ROTATION - DUAL VOLTAGE
TYPE KCR WITH
THERMAL PROTECTOR

52A105383AC



- NOTE #1 - FOR HI VOLTAGE REMOVE BROWN (P2) FROM TERMINAL #5 AND PLACE ON TERMINAL #4, REMOVE WHITE (T2) FROM TERMINAL #2 AND PLACE ON TERMINAL #5.
- NOTE #2 - TO REVERSE ROTATION INTERCHANGE BLACK (J10) AND RED (T8) LEADS.
- NOTE #3 - WHEN MORE THAN ONE CAPACITOR IS USED CONNECT IN PARALLEL.

REF. DIAG. - NONE
SWITCH - 115D958AC
CONNECTION LABEL - 52X332051

SIGNATURES	DATE
MODEL M.D. PAPE	03/03/88
DETAIL	.
CHECKED	.
ENGRG	.
MFG	.
FOR ADDITIONAL INFO REFER TO:	
APPLIED PRACTICES	ISSUED
DIMENSIONS ARE IN INCHES	M.D.P.
MATERIAL	SOLID MODEL: 52A105383AC

REGAL-BELOIT CORPORATION

REGAL-BELOIT

CONNECTION DIAGRAM

30 FRAME SWITCH REDESIGN

SCALE: 1.000 REF. No. .

SIZE DRAWING A

REV 4