

# PRODUCT INFORMATION PACKET

**marathon**<sup>®</sup>  
Motors

Model No: 5KCR49PN0095X

Catalog No: E270

.75 HP General Purpose Motor, 1 phase, 1800 RPM, 100-120/200-240 V, 56C Frame, ODP  
Single Phase ODP Motors



Regal and Marathon are trademarks of Regal Beloit Corporation or one of its affiliated companies.

©2019 Regal Beloit Corporation, All Rights Reserved. MC017097E

**REGAL**



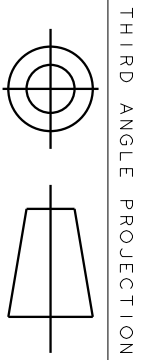
**Nameplate Specifications**

Output HP	.75 Hp	Output KW	.56 kW
Frequency	60 Hz	Voltage	100-120/200-240 V
Current	9.0-8.8 A	Speed	1725 rpm
Service Factor	1.25	Phase	1
Efficiency	78.1 %	Power Factor	0
Duty	CONT	Insulation Class	B
KVA Code	M	Frame	56C
Enclosure	DP	Thermal Protection	AUTO
Ambient Temperature	40 °C	Drive End Bearing Size	6203
Opp Drive End Bearing Size	6203	UL	Recognized
CSA	Y	CE	N

**Technical Specifications**

Electrical Type	Capacitor Start Capacitor Run(CSCR)	Starting Method	SM
Poles	4	Rotation	CCW/CW
Mounting	WB	Motor Orientation	ANY
Drive End Bearing	LOCKED	Opp Drive End Bearing	BALL
Overall Length	11.37 in	Frame Length	7.15 in
Shaft Extension	.625 X 1.88 - .188 X .188 KEY in		

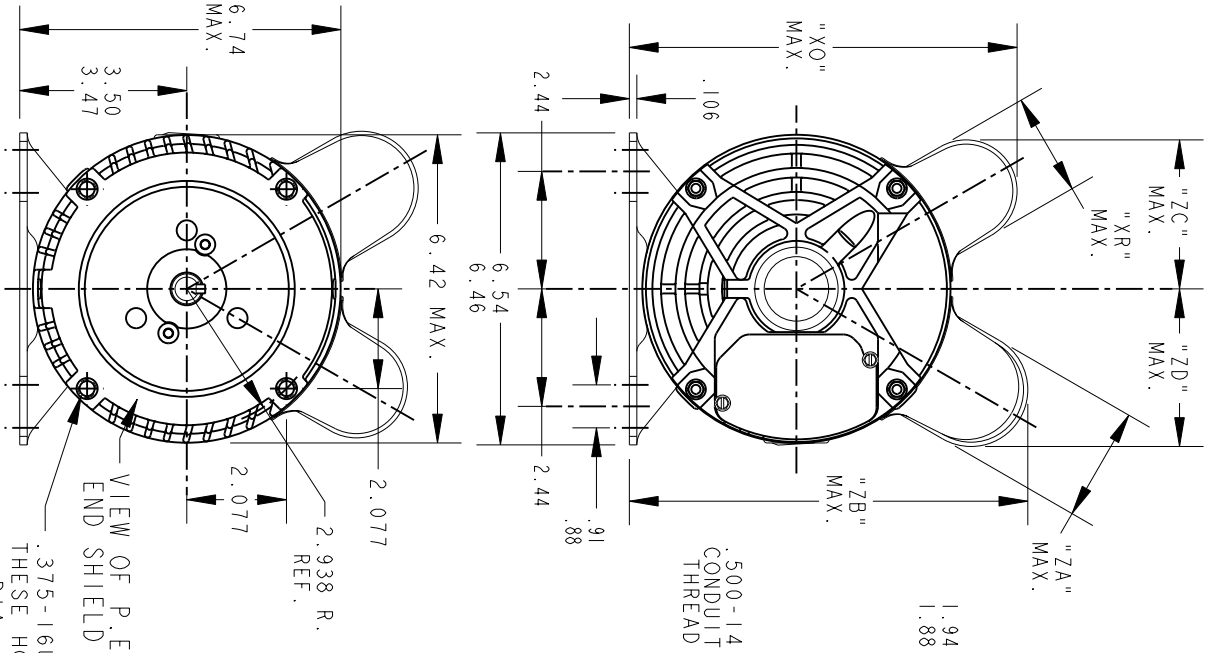
This is an uncontrolled document once printed or downloaded and is subject to change without notice. Date Created:01/11/2019



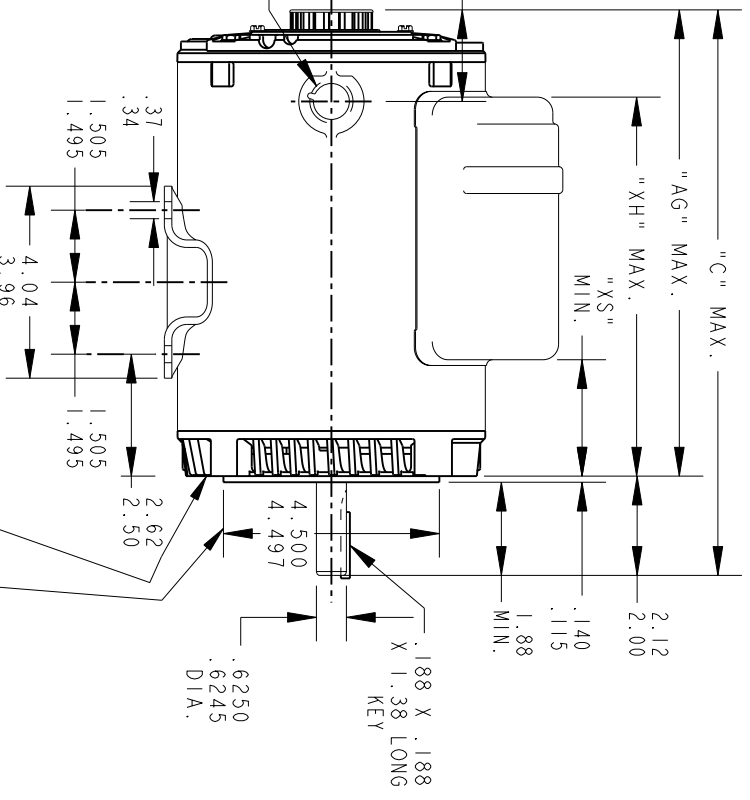
THIRD ANGLE PROJECTION

REVISIONS

REV.	DESCRIPTION	DATE	APPROVED
4	CHG TO RBC FORMAT PER IS05-1777	03/02/06	SUDHA



VIEW OF P.E. END SHIELD



ECCENTRICITY OF THIS SURFACE (WITH INDICATOR MOUNTED STATIONARY, RELATIVE TO SHAFT) MUST NOT EXCEED .004 T.I.R.

ALL DIMENSIONS ARE IN INCHES

P	TYPE	GE	NEMA	"C"	"AG"	"XH"	"XO"	"XR"	"XS"	"ZA"	"ZB"	"ZC"	"ZD"	MIN. SHELL
2	KCR	49	56CY	11.38	9.26	7.54	8.18	2.15	1.79	2.40	8.40	3.20	3.38	7.15
1	KCR	46	56CY	10.78	8.66	6.94	8.18	2.15	1.19	2.40	8.40	3.20	3.38	6.55

SIGNATURES		DATE
MODEL	M.D. PAPER	02/27/92
DETAIL		
CHECKED		
ENGRG		
MFG		
QUALITY		
ISSUED	M.D. PAPER	02/27/92



REGAL-BELOIT CORPORATION

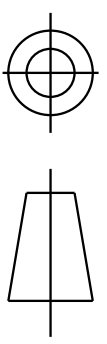
OUTLINE

GENERAL PURPOSE MOTOR DRIP PROOF - BALL BEARING  
 - WELDED BASE R2 END MOUNTED FME - 5KCR46JN0083Y & 5KCR49PN0095Y

FOR ADDITIONAL INFO REFER TO:	
APPLIED PRACTICES	ISSUED
DIMENSIONS ARE IN INCHES	
MATERIAL	SOLID MODEL: 52A107779

TITLE	SCALE: 0.250	REF. No.:	SHEET 1 of 1
SIZE DRAWING	A		
REV	4		

THIRD ANGLE PROJECTION



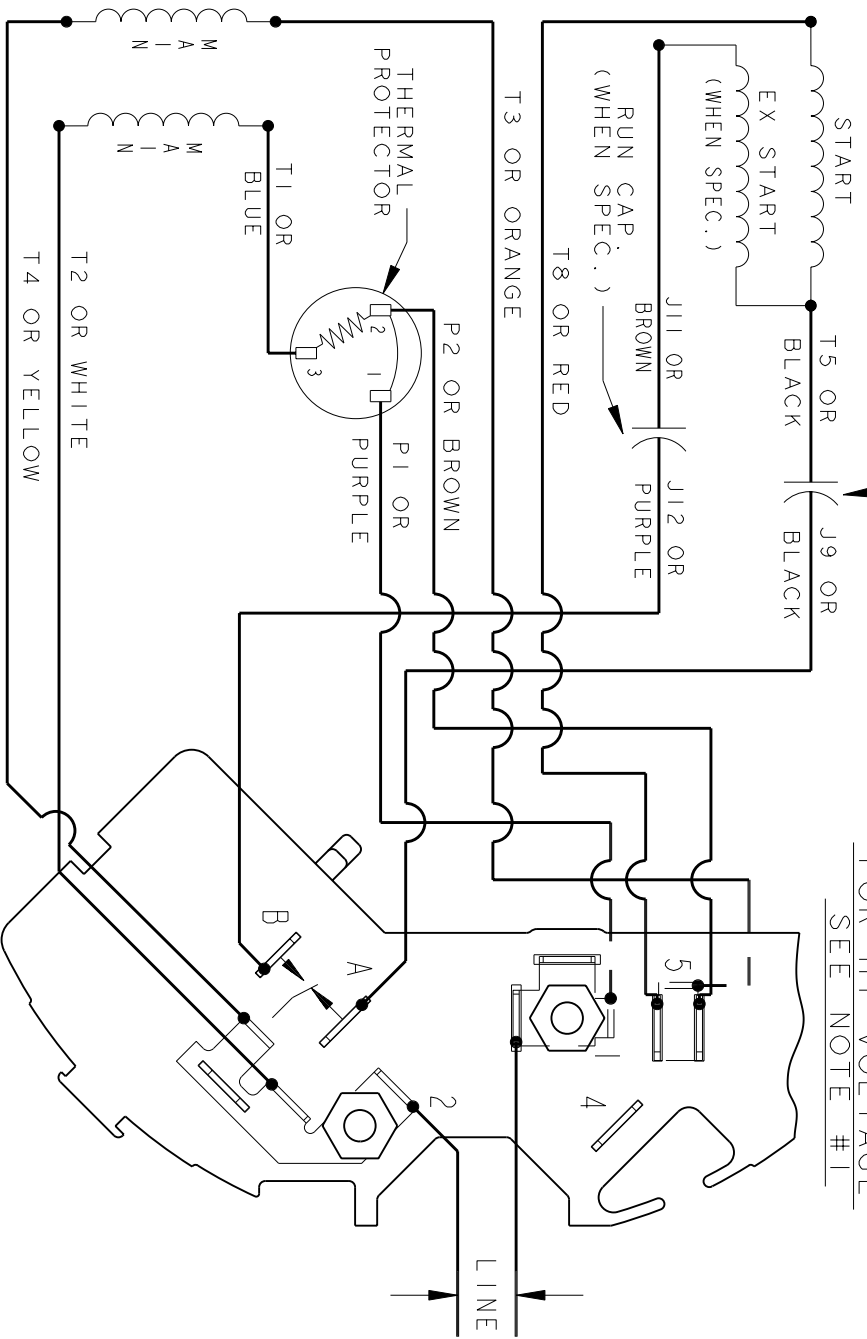
REVISIONS

REV.	DESCRIPTION	DATE	APPROVED
2	UPDATED FORMAT	01/05/06	MAM

TYPE KC, KH OR KCR - WITH THERMAL PROTECTOR  
 EITHER ROTATION - DUAL VOLTAGE

CAPACITOR AS SHOWN FOR KC MOTORS ONLY. LEAD T5 BLACK CONNECTED DIRECTLY TO TERMINAL BOARD FOR KH MOTORS.

LOW VOLTAGE SHOWN FOR HI VOLTAGE SEE NOTE #1



- NOTE #1 - FOR HI VOLTAGE REMOVE BROWN (P2) FROM TERMINAL #5 AND PLACE ON TERMINAL #4, REMOVE WHITE (T2) FROM TERMINAL #2 AND PLACE ON TERMINAL #5.
- NOTE #2 - TO REVERSE ROTATION INTERCHANGE RED (T8) AND BLACK (J9-KC OR T5-KH) LEADS.
- NOTE #3 - WHEN MORE THAN ONE CAPACITOR IS USED CONNECT IN PARALLEL.

REF. DIAG. - NONE SWITCH - 115D958CB CONNECTION LABEL - 52X332051AA

SIGNATURES	DATE
MODEL M.A. MARKS	03/06/00
DETAIL	
CHECKED	
ENGRG	
MFG	
QUALITY	
ISSUED	M.A.M. 03/06/00
SOLID MODEL: 52A105383AF	

**REGAL-BELOIT CORPORATION**

**REGAL-BELOIT**

**CONNECTION DIAGRAM**

**FME: 30 FRAME SWITCH REDESIGN (T100-25,164)**

SIZE DRAWING A

SCALE: 1.000 REF. No.:

REV 2