

# PRODUCT INFORMATION PACKET

**marathon**<sup>®</sup>  
Motors

Model No: 5KCR48UN2654Y  
Catalog No: 9040  
SPL,3600,DP,56,1/60/230  
Air Compressor



Regal and Marathon are trademarks of Regal Beloit Corporation or one of its affiliated companies.  
©2018 Regal Beloit Corporation, All Rights Reserved. MC017097E

**REGAL**<sup>®</sup>



### Nameplate Specifications

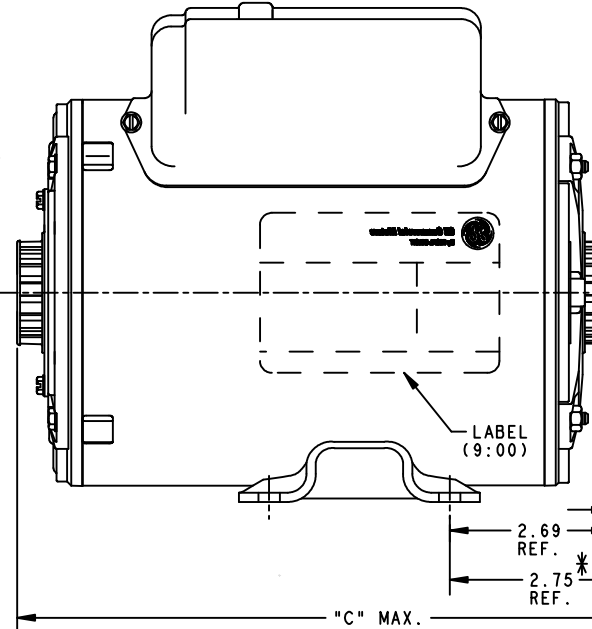
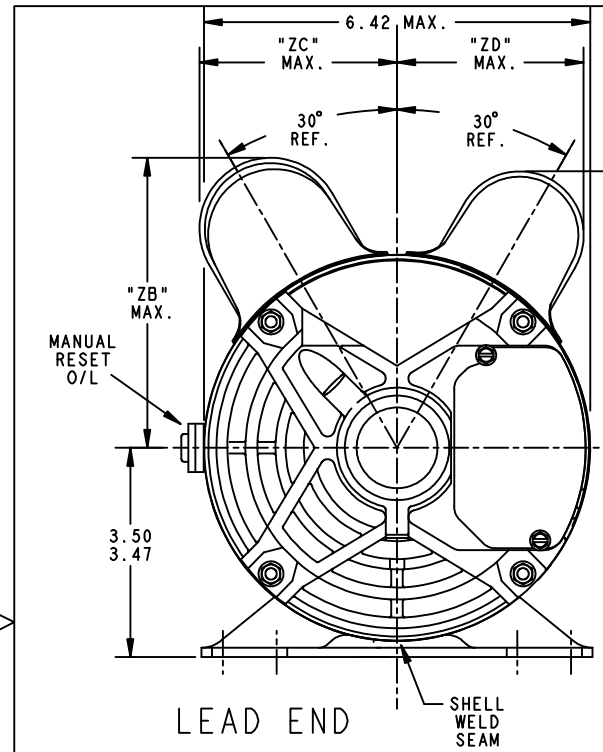
|                        |                   |                            |                   |
|------------------------|-------------------|----------------------------|-------------------|
| Output HP              | <b>3 Hp</b>       | Output KW                  | <b>2.2 kW</b>     |
| Frequency              | <b>60 Hz</b>      | Voltage                    | <b>230 V</b>      |
| Current                | <b>14 A</b>       | Speed                      | <b>3450 rpm</b>   |
| Service Factor         | <b>1</b>          | Phase                      | <b>1</b>          |
| Efficiency             | <b>79.4 %</b>     | Duty                       | <b>Continuous</b> |
| Insulation Class       | <b>B</b>          | KVA Code                   | <b>J</b>          |
| Frame                  | <b>56</b>         | Enclosure                  | <b>Drip Proof</b> |
| Overload Protector     | <b>MAN</b>        | Ambient Temperature        | <b>40 °C</b>      |
| Drive End Bearing Size | <b>6203</b>       | Opp Drive End Bearing Size | <b>6203</b>       |
| UL                     | <b>Recognized</b> | CSA                        | <b>Yes</b>        |
| CE                     | <b>N</b>          |                            |                   |

### Technical Specifications

|                   |  |                       |                  |
|-------------------|--|-----------------------|------------------|
| Electrical Type   | <b>Capacitor Start Capacitor Run(CSCR)</b> | Starting Method       | <b>SM</b>        |
| Poles             | <b>2</b>                                   | Rotation              | <b>Clockwise</b> |
| Mounting          | <b>Rigid base</b>                          | Motor Orientation     | <b>Any</b>       |
| Drive End Bearing | <b>BALL</b>                                | Opp Drive End Bearing | <b>BALL</b>      |
| Frame Material    | <b>Rolled Steel</b>                        | Overall Length        | <b>12.64 in</b>  |
| Frame Length      | <b>8.43 in</b>                             | Shaft Diameter        | <b>0.630 in</b>  |
| Shaft Extension   | <b>1.88 in</b>                             |                       |                  |
| Outline Drawing   | <b>52B206998P2</b>                         | Connection Diagram    | <b>52A109213</b> |

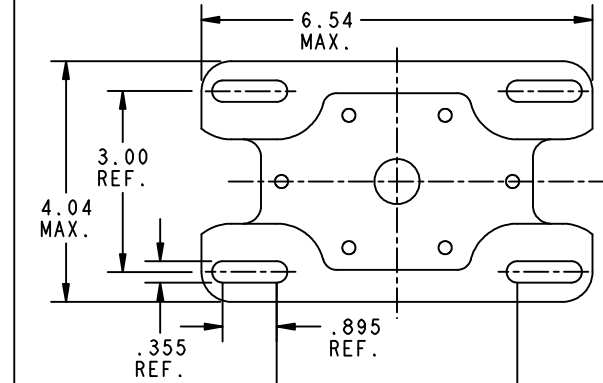
This is an uncontrolled document once printed or downloaded and is subject to change without notice. Date Created: 06/29/2018

| REVISIONS |                                 |          |          |
|-----------|---------------------------------|----------|----------|
| REV.      | DESCRIPTION                     | DATE     | APPROVED |
| 11        | REVRSO CAP CVRS R1200-270       | 11/22/00 | R.P.C    |
| 12        | CHG TO RBC FORMAT PER IS05-1777 | 05/03/06 | MADHU    |



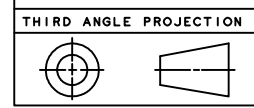
FOR .188 X .188 X 1.38 KEY  
(A BAG OF KEYS IS ENCLOSED WITH EACH PALLET OF MOTORS)

\* NOMINAL NEMA DIM. "W" IS VARIABLE CLEARANCE DUE TO VARIATION IN PARTS & ASSEMBLY.



- NOTES:  
 1. ENDPLAY .002-.010 (E1-115A321AAP2).  
 2. MINIMUM CLAMPBOLT TORQUE IS 32 IN.-LBS.

|   |      |         |              |       |      |      |      |      |
|---|------|---------|--------------|-------|------|------|------|------|
| 5 | KCR  | 49      | 7.68         | 11.89 | 4.66 | 4.66 | 3.17 | 3.17 |
| 4 | KCR  | 48      | 8.43         | 12.64 | 4.66 | 4.66 | 3.17 | 3.17 |
| 3 | KCR  | 48      | 8.43         | 12.64 | 4.27 | 4.66 | 3.17 | 2.82 |
| 2 | KCR  | 48      | 8.43         | 12.64 | 4.90 | 4.90 | 3.38 | 3.38 |
| 1 | KCR  | 49      | 7.68         | 11.89 | 4.27 | 4.66 | 3.17 | 2.82 |
| P | TYPE | GE SIZE | SHELL (MIN.) | "C"   | "YR" | "ZB" | "ZC" | "ZD" |



| SIGNATURES               |                        | DATE               |
|--------------------------|------------------------|--------------------|
| MODEL                    | M.W.E                  | 03/04/93           |
| DETAIL                   | .                      | .                  |
| CHECKED                  | .                      | .                  |
| ENGRG                    | .                      | .                  |
| NFG                      | .                      | .                  |
| APPLIED PRACTICES        | QUALITY                | .                  |
| DIMENSIONS ARE IN INCHES | ISSUED                 | M.W. PAPE 03/09/99 |
| MATERIAL                 | SOLID MODEL: 52B206998 |                    |

**REGAL-BELOIT CORPORATION**

TITLE: **OUTLINE**  
**FMF - 40 FRAME 5KCR49SN2021Y**

SIZE DRAWING: **52B206998** REV **12**

SCALE: 0.500 REF. No. . SHEET 1 of 1

