

PRODUCT INFORMATION PACKET

marathon[®]
Motors

Model No: 5KCR48UN0105X
Catalog No: E281
1,1725/1425,DP,56H,1/60/100-120/200-240
Open Drip Proof (ODP)



Regal and Marathon are trademarks of Regal Beloit Corporation or one of its affiliated companies.
©2018 Regal Beloit Corporation, All Rights Reserved. MC017097E

REGAL[®]

Nameplate Specifications

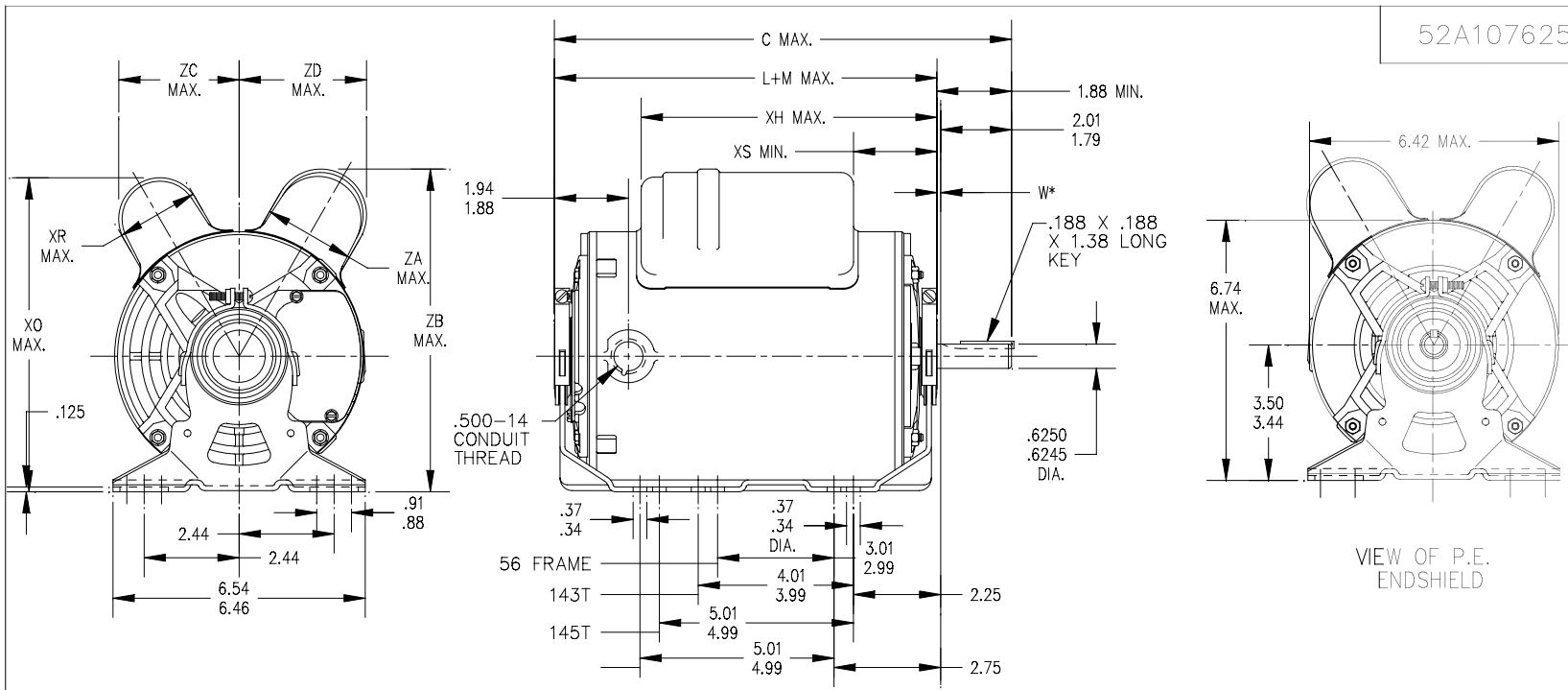
Output HP	1 Hp	Output KW	0.75 kW
Frequency	60 Hz	Voltage	100-120/200-240 V
Current	11.8-11.4,5.9-5.7 A	Speed	1725 rpm
Service Factor	1.15	Phase	1
Efficiency	77.4 %	Duty	Continuous
Insulation Class	B	KVA Code	L
Frame	56H	Enclosure	Drip Proof
Overload Protector	AUTO	Ambient Temperature	40 °C
Drive End Bearing Size	6203	Opp Drive End Bearing Size	6203
UL	Recognized	CSA	Yes
CE	N		

Technical Specifications

Electrical Type	Capacitor Start Capacitor Run(CSCR)	Starting Method	SM
Poles	4	Rotation	Selective Counterclockwise
Mounting	Resilient Base	Motor Orientation	Any
Drive End Bearing	BALL	Opp Drive End Bearing	BALL
Frame Material	Rolled Steel	Overall Length	12.66 in
Frame Length	8.43 in	Shaft Diameter	0.630 in
Shaft Extension	1.88 in		
Outline Drawing	52A107625P3	Connection Diagram	52A105383AC

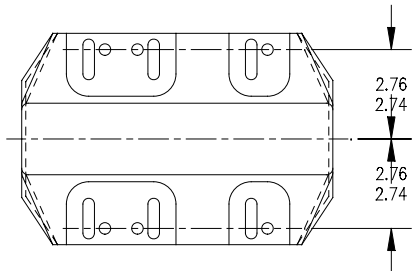
This is an uncontrolled document once printed or downloaded and is subject to change without notice. Date Created: 06/29/2018

52A107625



VIEW OF P.E. ENDSHIELD

W* IS A VARIABLE CLEARANCE DUE TO VARIATIONS IN PARTS AND ASSEMBLY.

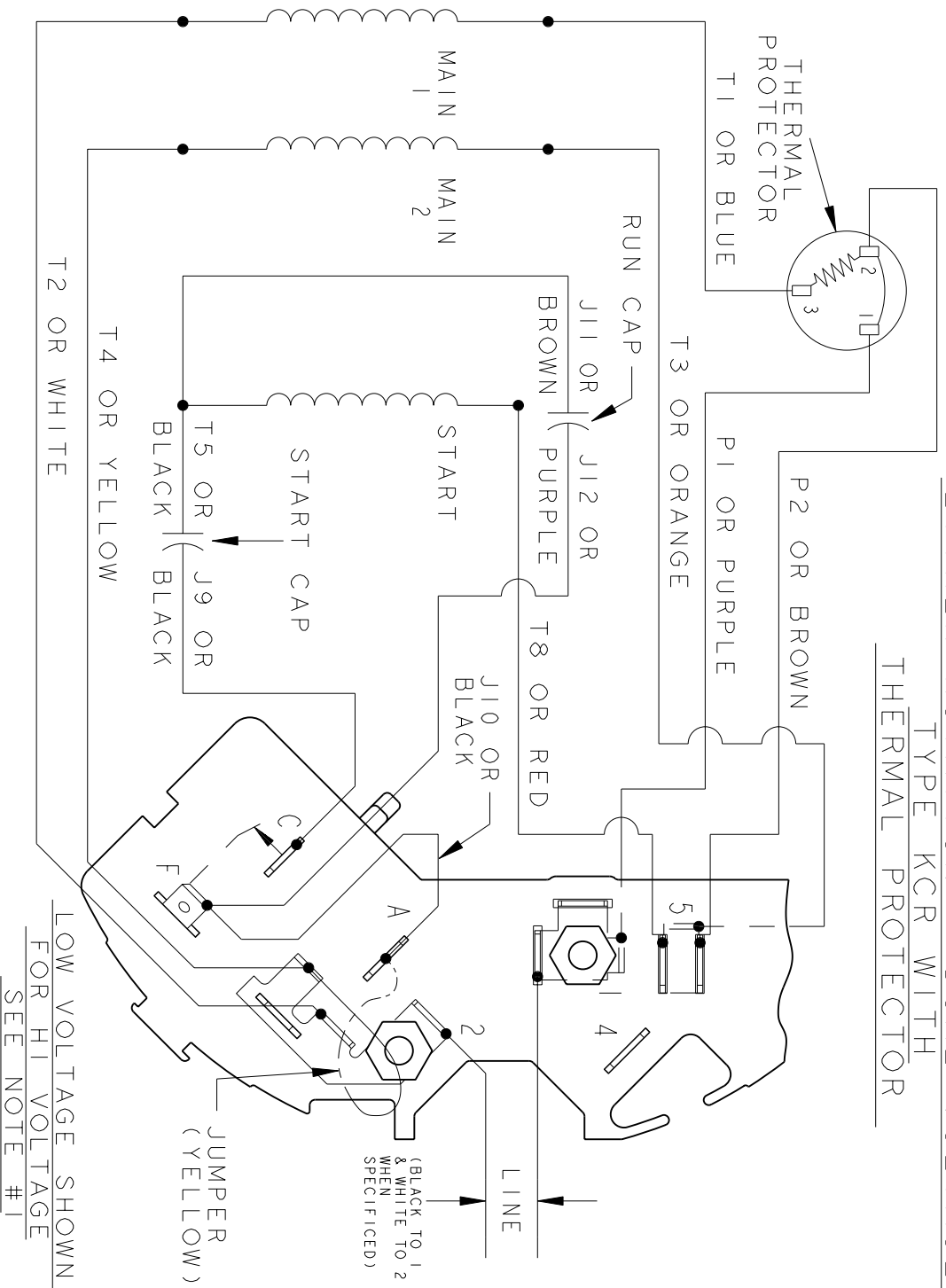


7	KCR	49	56H	13.96	11.96	10.15	8.18	2.15	2.01	1.60	7.63	3.20	3.16	9.63
6	KCR	49	56H	13.96	11.96	8.30	8.16	2.10	2.63	2.40	8.39	3.14	3.33	9.63
5	KCR	49	56H	13.96	11.96	9.67	8.16	2.10	4.00	2.40	8.39	3.14	3.33	9.63
4	KCR	48	56H	12.66	10.76	7.76	8.18	2.15	2.01	2.40	8.40	3.20	3.38	8.43
3	KCR	48	56H	12.66	10.76	7.76	8.18	2.15	2.01	2.72	8.77	3.20	3.68	8.43
2	KCR	49	56H	11.91	10.01	7.76	8.18	2.15	2.01	1.60	7.81	3.20	3.07	7.68
1	KCR	49	56H	11.91	10.01	7.76	8.18	2.15	2.01	2.40	8.40	3.20	3.38	7.68
P	TYPE	GE SIZE	NEMA FR	C	L+M	XH	XO	XR	XS	ZA	ZB	ZC	ZD	MIN. SHELL

				TOLERANCES UNLESS SPECIFIED		REGAL-BELOIT CORPORATION					DRAWN KK 06/18/15			
				DEC.	INCHES	REGAL-BELOIT					CHK			
				.X	±0.1	TITLE					APPD KK 06/18/15			
				.XX	±0.02	OUTLINE					SCALE 1=1			
				.XXX	±0.005	DP- RESIL BASE - BALL -40 FR					REF XXXXXXXX			
				.XXXX	±0.0005	MAT'L.					FMF			
				ANG	±1.0	FINISH					PREV			
9	ADDED PART #7 PER DS05-1253	RJ 11/10/15												
NO.	REVISION	BY & DATE	CHK	ANG	RFP	CAD FILE	52A107625	SIZE	A	DRAWING NO.	52A107625	REV.		
THIS DRAWING IN DESIGN AND DETAIL IS OUR PROPERTY AND MUST NOT BE USED EXCEPT IN CONNECTION WITH OUR WORK. ALL RIGHTS OF DESIGN AND INVENTION ARE RESERVED. THIS IS AN ELECTRONICALLY GENERATED DOCUMENT - DO NOT SCALE THIS PRINT.														

REVISIONS		DATE	APPROVED
REV.	DESCRIPTION		
4	ADDED NOTE FOR LINE LEAD PER DS09-1045	07/15/09	ARCHANA

EITHER ROTATION - DUAL VOLTAGE
TYPE KCR WITH
THERMAL PROTECTOR



- NOTE #1 - FOR HI VOLTAGE REMOVE BROWN (P2) FROM TERMINAL #5 AND PLACE ON TERMINAL #4, REMOVE WHITE (T2) FROM TERMINAL #2 AND PLACE ON TERMINAL #5.
- NOTE #2 - TO REVERSE ROTATION INTERCHANGE BLACK (J10) AND RED (T8) LEADS.
- NOTE #3 - WHEN MORE THAN ONE CAPACITOR IS USED CONNECT IN PARALLEL.

REF. DIAG. - NONE
SWITCH - 115D958AC
CONNECTION LABEL - 52X332051

SIGNATURES		DATE
MODEL	M.D. PAPE	03/03/88
DETAIL	.	.
CHECKED	.	.
ENGRG	.	.
MFG	.	.
FOR ADDITIONAL INFO REFER TO:	QUALITY	
APPLIED PRACTICES	ISSUED	M.D.P. 03/03/88
DIMENSIONS ARE IN INCHES	SOLID MODEL:	52A105383AC

REGAL-BELOIT CORPORATION

CONNECTION DIAGRAM

TITLE	30 FRAME SWITCH REDESIGN	REV	4
SIZE	DRAWING A	SHEET	1 of 1
SCALE	1.000	REF. No.	.