

PRODUCT INFORMATION PACKET

marathon[®]
Motors

Model No: 5KCR46MN0090Y

Catalog No: E259

.5 HP General Purpose Motor, 1 phase, 1800 RPM, 100-120/200-240 V, 56C Frame, ODP
Single Phase ODP Motors



Regal and Marathon are trademarks of Regal Beloit Corporation or one of its affiliated companies.
©2019 Regal Beloit Corporation, All Rights Reserved. MC017097E

REGAL



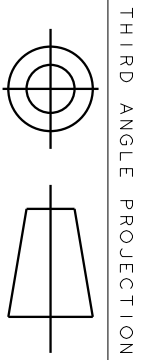
Nameplate Specifications

Output HP	.5 Hp	Output KW	.37 kW
Frequency	60 Hz	Voltage	100-120/200-240 V
Current	5.8-5.6 A	Speed	1725 rpm
Service Factor	1.25	Phase	1
Efficiency	74 %	Power Factor	0
Duty	CONT	Insulation Class	B
KVA Code	N	Frame	56C
Enclosure	DP	Thermal Protection	MAN
Ambient Temperature	40 °C	Drive End Bearing Size	6203
Opp Drive End Bearing Size	6203	UL	Recognized
CSA	Y	CE	N

Technical Specifications

Electrical Type	Capacitor Start Capacitor Run(CSCR)	Starting Method	SM
Poles	4	Rotation	CCW/CW
Mounting	WB	Motor Orientation	ANY
Drive End Bearing	LOCKED	Opp Drive End Bearing	BALL
Overall Length	10.77 in	Frame Length	6.55 in
Shaft Extension	.625 X 1.88 - .188 X .188 KEY in		

This is an uncontrolled document once printed or downloaded and is subject to change without notice. Date Created:01/11/2019



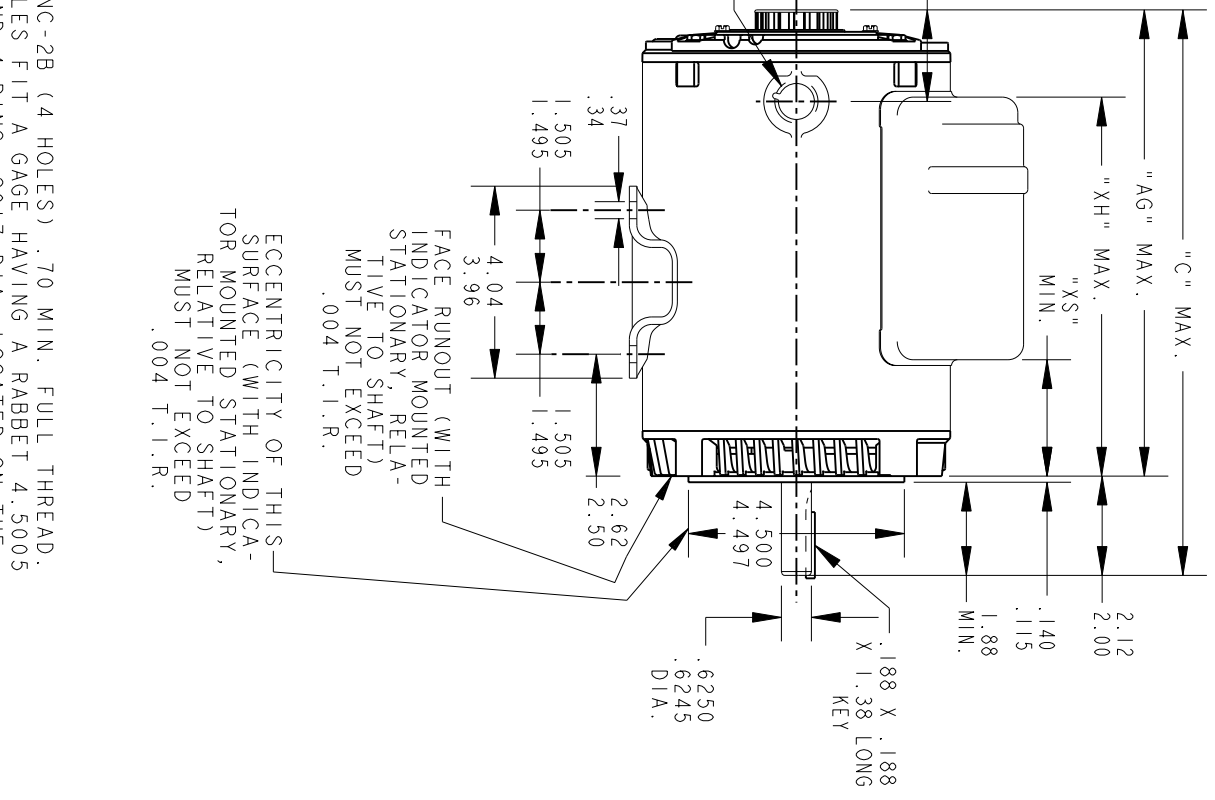
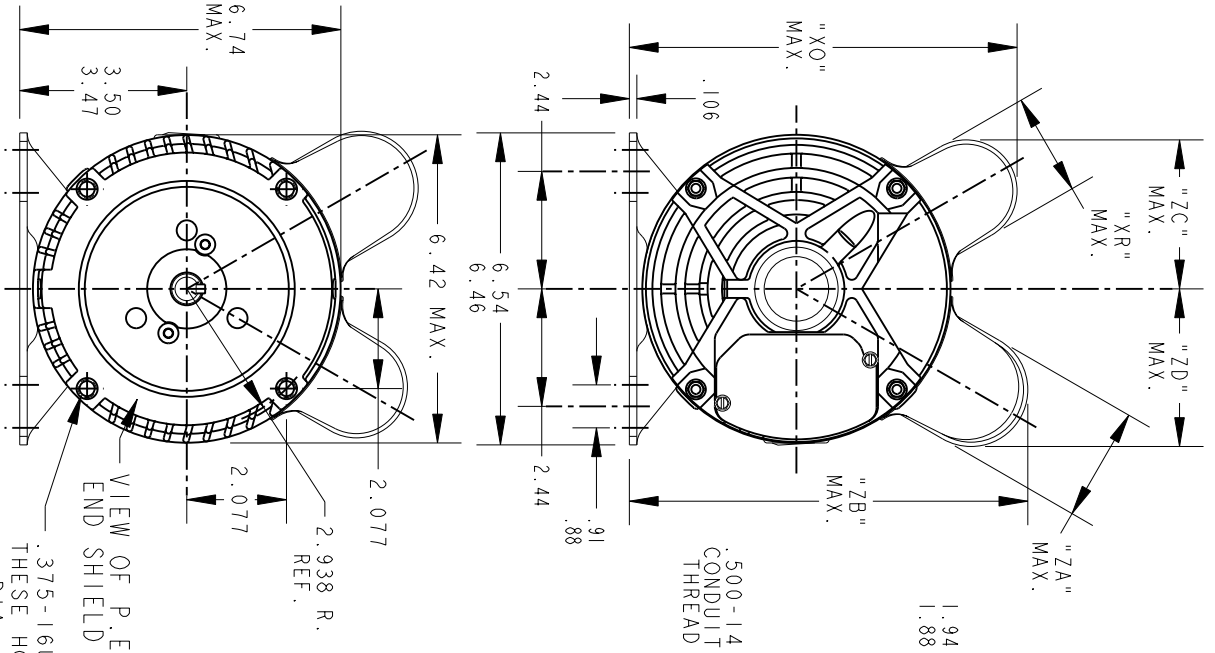
THIRD ANGLE PROJECTION

REVISIONS

REV.	DESCRIPTION	DATE	APPROVED
4	CHG TO RBC FORMAT PER IS05-1777	03/02/06	SUDHA

52A107779 4

SIZE DRAWING NO. A



ALL DIMENSIONS ARE IN INCHES

2	KCR	49	56CY	11.38	9.26	7.54	8.18	2.15	1.79	2.40	8.40	3.20	3.38	7.15
1	KCR	46	56CY	10.78	8.66	6.94	8.18	2.15	1.19	2.40	8.40	3.20	3.38	6.55
P	TYPE	GE	NEMA	"C"	"AG"	"XH"	"XO"	"XR"	"XS"	"ZA"	"ZB"	"ZC"	"ZD"	MIN. SHELL



REGAL-BELOIT CORPORATION

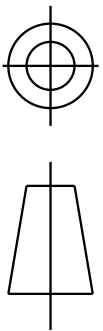
OUTLINE

GENERAL PURPOSE MOTOR DRIP PROOF - BALL BEARING
 - WELDED BASE R2 END MOUNTED FME - 5KCR46JN0083Y & 5KCR49PN0095Y

SIGNATURES		DATE
MODEL	M.D. PAPER	02/27/92
DETAIL		
CHECKED		
ENGRG		
MFG		
QUALITY		
ISSUED	M.D. PAPER	02/27/92
SOLID MODEL: 52A107779		

TITLE	SIZE	SCALE	REF. No.	SHEET
GENERAL PURPOSE MOTOR DRIP PROOF - BALL BEARING - WELDED BASE R2 END MOUNTED FME - 5KCR46JN0083Y & 5KCR49PN0095Y	DRAWING A	0.250		1 of 1

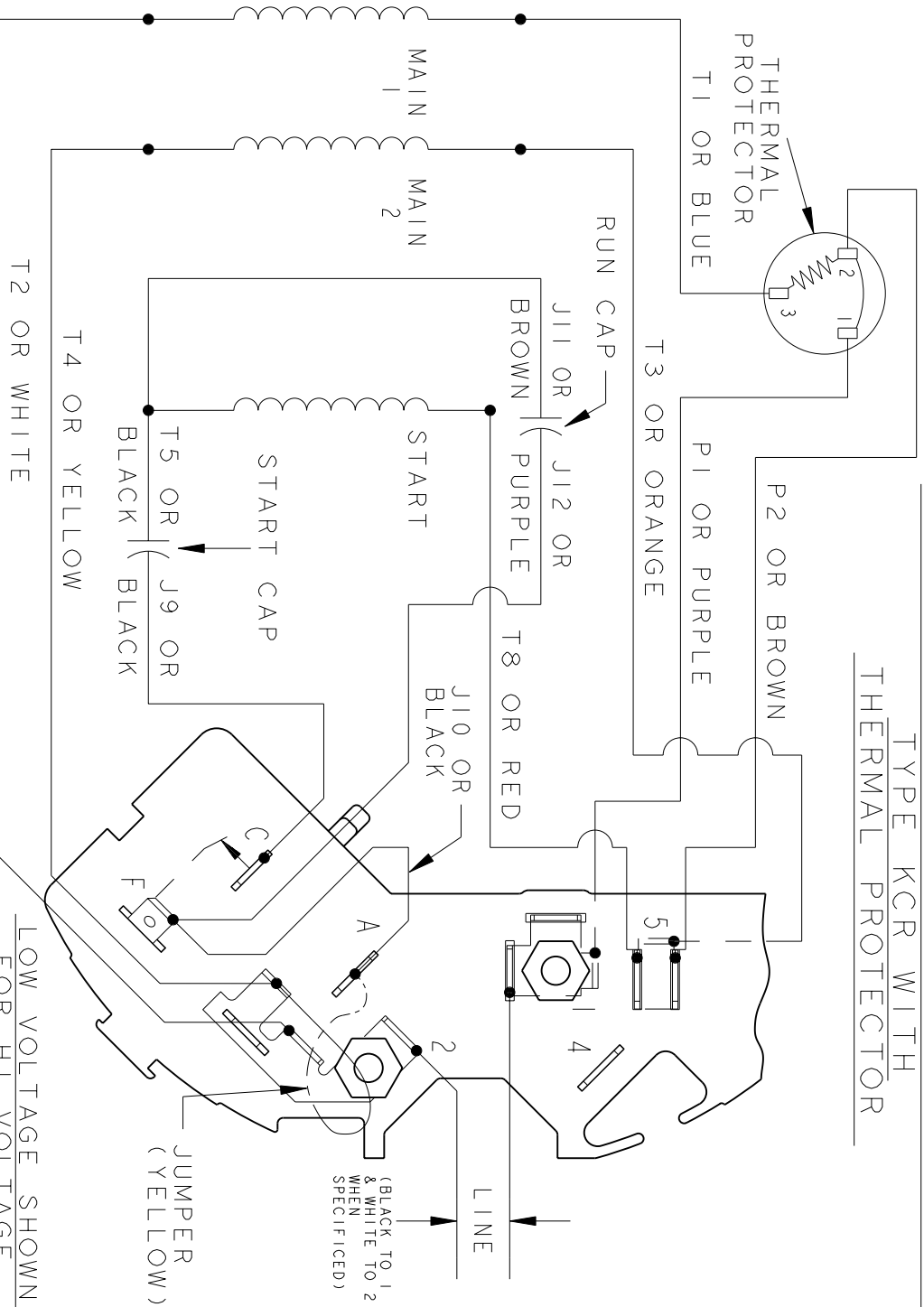
52A107779 4



REV.	DESCRIPTION	DATE	APPROVED
4	ADDED NOTE FOR LINE LEAD PER DS09-1045	07/15/09	ARCHANA

EITHER ROTATION - DUAL VOLTAGE
TYPE KCR WITH
THERMAL PROTECTOR

52A105383AC



LOW VOLTAGE SHOWN
FOR HI VOLTAGE
SEE NOTE #1

- NOTE #1 - FOR HI VOLTAGE REMOVE BROWN (P2) FROM TERMINAL #5 AND PLACE ON TERMINAL #4, REMOVE WHITE (T2) FROM TERMINAL #2 AND PLACE ON TERMINAL #5.
- NOTE #2 - TO REVERSE ROTATION INTERCHANGE BLACK (J10) AND RED (T8) LEADS.
- NOTE #3 - WHEN MORE THAN ONE CAPACITOR IS USED CONNECT IN PARALLEL.

REF. DIAG. - NONE

SWITCH - 115D958AC

CONNECTION LABEL - 52X332051

SIGNATURES	DATE
MODEL M.D. PAPE	03/03/88
DETAIL	.
CHECKED	.
ENGRG	.
MFG	.
FOR ADDITIONAL INFO REFER TO:	
APPLIED PRACTICES	QUALITY
DIMENSIONS ARE IN INCHES	ISSUED
MATERIAL	SOLID MODEL: 52A105383AC



REGAL-BELOTT CORPORATION

TITLE CONNECTION DIAGRAM

FMF: 30 FRAME SWITCH REDESIGN

SIZE DRAWING A

SCALE: 1.000 REF. No. .

52A105383AC

REV 4

SHEET 1 of 1