

PRODUCT INFORMATION PACKET

marathon[®]
Motors

Model No: 5KCR46MN0054X
Catalog No: E263
1/2,1725/1425,DP,56,1/60/100-120/200-240
Open Drip Proof (ODP)



Regal and Marathon are trademarks of Regal Beloit Corporation or one of its affiliated companies.
©2018 Regal Beloit Corporation, All Rights Reserved. MC017097E

REGAL

Nameplate Specifications

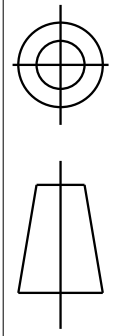
Output HP	0.50 Hp	Output KW	0.37 kW
Frequency	60 Hz	Voltage	100-120/200-240 V
Current	5.8-5.6,2.9-2.8 A	Speed	1725 rpm
Service Factor	1.25	Phase	1
Efficiency	74 %	Duty	Continuous
Insulation Class	B	Design Code	-
KVA Code	N	Frame	56
Enclosure	Drip Proof	Overload Protector	AUTO
Ambient Temperature	40 °C	Drive End Bearing Size	6203
Opp Drive End Bearing Size	6203	UL	Recognized
CSA	Yes	CE	N

Technical Specifications

Electrical Type	Capacitor Start Capacitor Run(CSCR)	Starting Method	SM
Poles	4	Rotation	Selective Counterclockwise
Mounting	Resilient Base	Motor Orientation	Any
Drive End Bearing	BALL	Opp Drive End Bearing	BALL
Frame Material	Rolled Steel	Overall Length	10.77 in
Frame Length	6.55 in	Shaft Diameter	0.630 in
Shaft Extension	1.88 in		
Outline Drawing	52A107705P3	Connection Diagram	52A105383AC

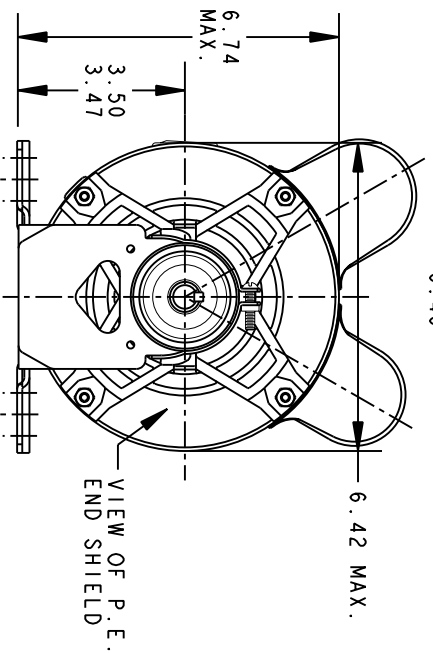
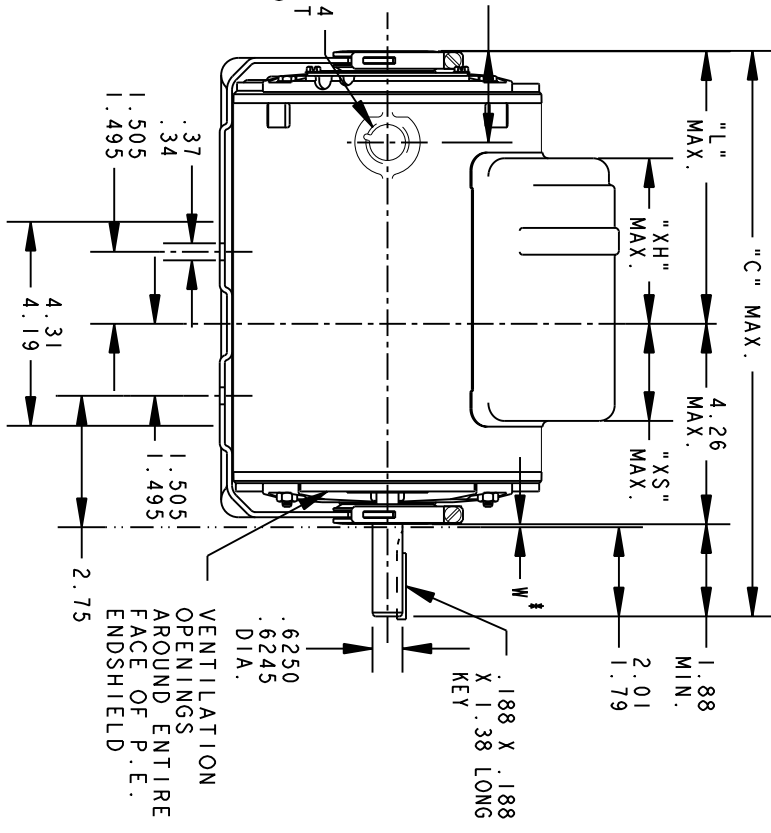
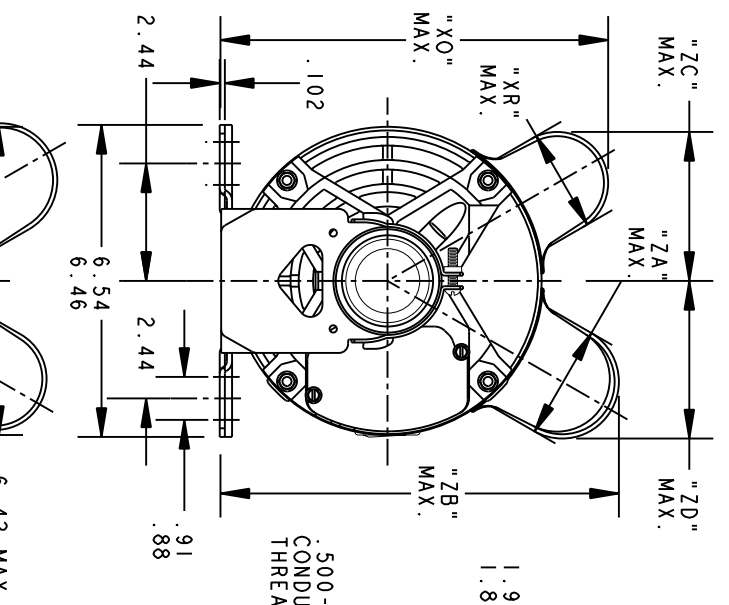
This is an uncontrolled document once printed or downloaded and is subject to change without notice. Date Created: 07/02/2018

THIRD ANGLE PROJECTION



REVISIONS

REV.	DESCRIPTION	DATE	APPROVED
12	CHG TO RBC FORMAT PER IS05-1777	03/01/06	SUDHA



* W IS A VARIABLE CLEARANCE DUE TO VARIATIONS IN PARTS AND ASSEMBLY

7	6	5	4	3	2	1	P	GE	NEMA	"C"	"L"	"XH"	"XO"	"XR"	"XS"	"ZA"	"ZB"	"ZC"	"ZD"	MIN. SHELL
KCR	KCR	KCR	KCR	KCR/KC	KCR	KCR	TYPE	SIZE	FR											
48	49	49	49	46	49	49														
12.66	11.91	10.37	11.37	10.77	11.91	11.91														
6.50	5.75	4.23	5.23	4.63	5.75	5.75														
3.58	3.58	2.86	3.52	2.92	3.58	3.58														
8.18	8.18	8.18	8.18	8.18	8.18	8.18														
2.15	2.15	2.15	2.15	2.15	2.15	2.15														
2.17	2.17	2.89	2.23	2.83	2.17	2.17														
2.40	1.60	1.60	2.40	2.40	2.72	2.40														
8.40	7.81	7.72	8.40	8.40	8.77	8.40														
3.20	3.20	3.20	3.20	3.20	3.20	3.20														
3.38	2.86	2.97	3.38	3.38	3.66	3.38														
8.43	7.68	6.15	7.15	6.55	7.68	7.68														



REGAL-BELOIT CORPORATION

OUTLINE

40 FRAME REDESIGN - GENERAL PURPOSE MOTOR - DRIP PROOF - BALL BEARING - RESILIENT BASE

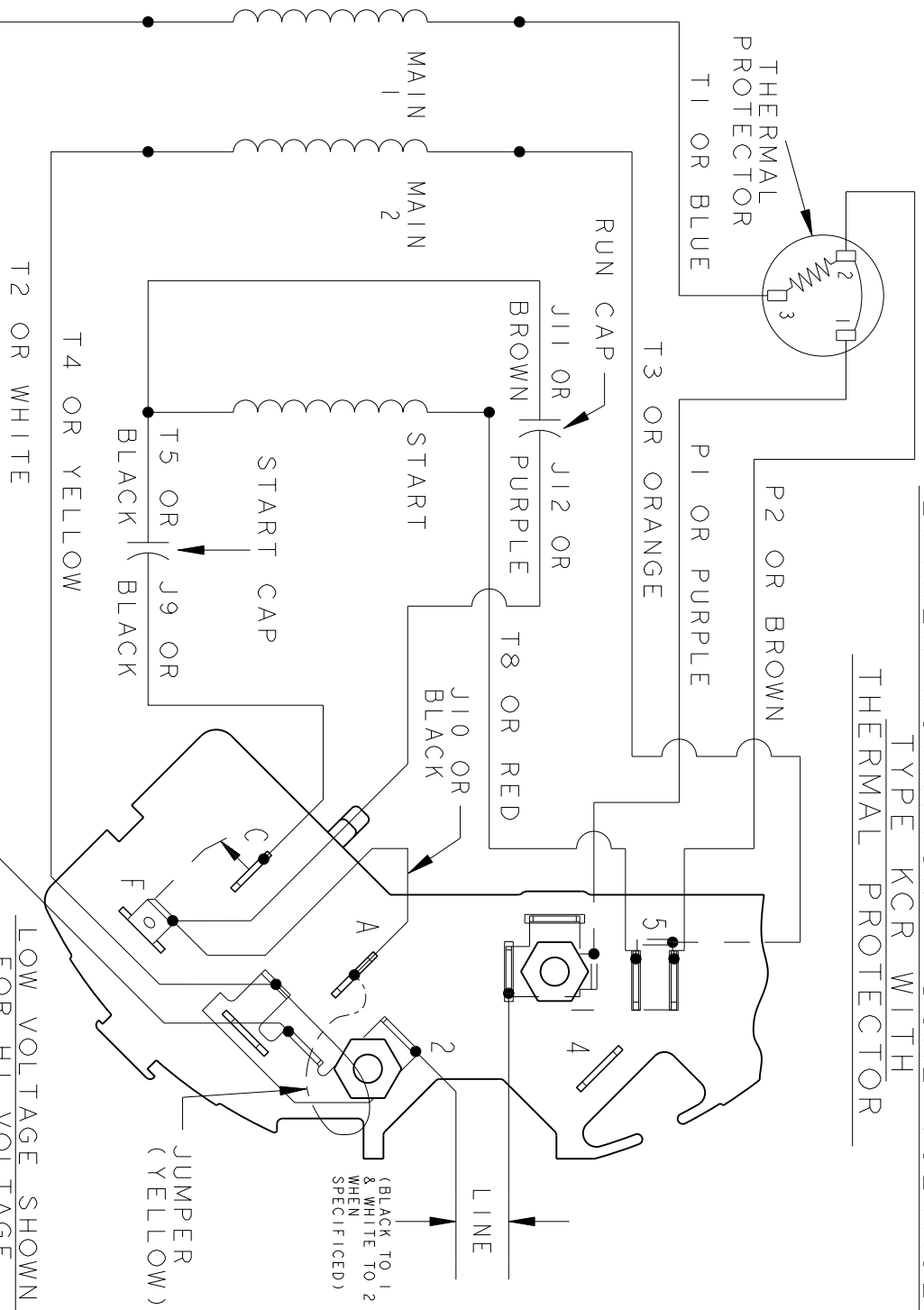
SIGNATURES		DATE
MODEL	M.D. PAPE	05/24/91
DETAIL		
CHECKED		
ENGRG		
MFG		
QUALITY		
ISSUED	M.D. PAPE	05/04/95
SOLID MODEL	52A107705	

TITLE	SIZE	SCALE	REF. No.	SHEET
40 FRAME REDESIGN - GENERAL PURPOSE MOTOR - DRIP PROOF - BALL BEARING - RESILIENT BASE	A	0.250		1 of 1

52A107705 12

REVISIONS		DATE	APPROVED
REV.	DESCRIPTION		
4	ADDED NOTE FOR LINE LEAD PER DS09-1045	07/15/09	ARCHANA

EITHER ROTATION - DUAL VOLTAGE
TYPE KCR WITH
THERMAL PROTECTOR



- NOTE #1 - FOR HI VOLTAGE REMOVE BROWN (P2) FROM TERMINAL #5 AND PLACE ON TERMINAL #4, REMOVE WHITE (T2) FROM TERMINAL #2 AND PLACE ON TERMINAL #5.
- NOTE #2 - TO REVERSE ROTATION INTERCHANGE BLACK (J10) AND RED (T8) LEADS.
- NOTE #3 - WHEN MORE THAN ONE CAPACITOR IS USED CONNECT IN PARALLEL.

REF. DIAG. - NONE
SWITCH - 115D958AC
CONNECTION LABEL - 52X332051

SIGNATURES	DATE
MODEL M.D. PAPE	03/03/88
DETAIL	
CHECKED	
ENGRG	
MFG	
QUALITY	
ISSUED	M.D.P. 03/03/88
SOLID MODEL: 52A105383AC	

REGAL-BELOIT CORPORATION

REGAL-BELOIT

CONNECTION DIAGRAM

30 FRAME SWITCH REDESIGN

SCALE: 1.000 REF. No. .

SIZE DRAWING A

REV 4