

# PRODUCT INFORMATION PACKET

**marathon**<sup>®</sup>  
Motors

Model No: 5KCR46JN0086X  
Catalog No: E254  
1/3,1725/1425,DP,56,1/60/100-120/200-240  
Open Drip Proof (ODP)



Regal and Marathon are trademarks of Regal Beloit Corporation or one of its affiliated companies.

©2018 Regal Beloit Corporation, All Rights Reserved. MC017097E

**REGAL**

### Nameplate Specifications

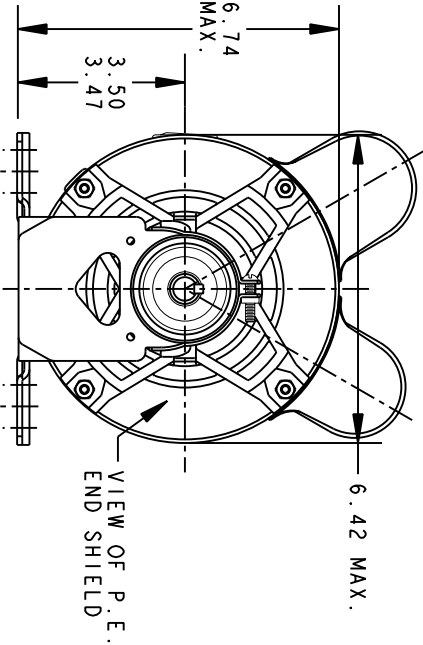
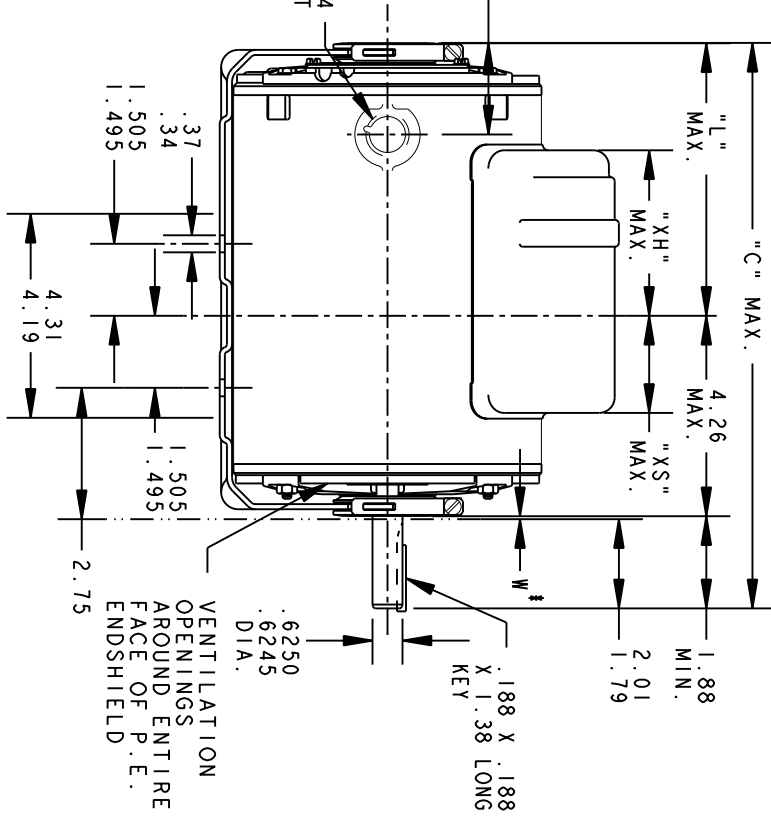
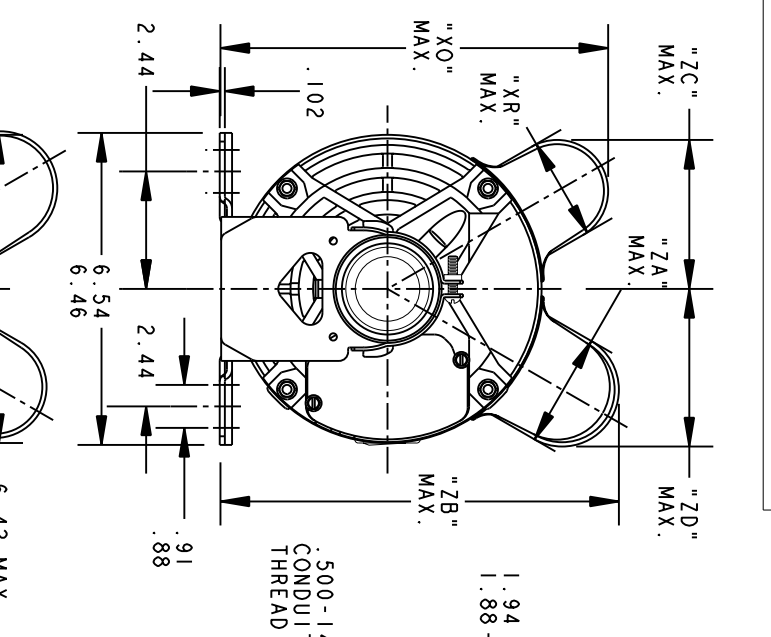
Output HP	<b>0.33 Hp</b>	Output KW	<b>0.25 kW</b>
Frequency	<b>60 Hz</b>	Voltage	<b>100-120/200-240 V</b>
Current	<b>4.0-3.8,2.0-1.9 A</b>	Speed	<b>1725 rpm</b>
Service Factor	<b>1.35</b>	Phase	<b>1</b>
Efficiency	<b>70.2 %</b>	Duty	<b>Continuous</b>
Insulation Class	<b>B</b>	KVA Code	<b>R</b>
Frame	<b>56</b>	Enclosure	<b>Drip Proof</b>
Overload Protector	<b>AUTO</b>	Ambient Temperature	<b>40 °C</b>
Drive End Bearing Size	<b>6203</b>	Opp Drive End Bearing Size	<b>6203</b>
UL	<b>Recognized</b>	CSA	<b>Yes</b>
CE	<b>N</b>	IP Code	<b>22</b>

### Technical Specifications

Electrical Type	<b>Capacitor Start Capacitor Run(CSCR)</b>	Starting Method	<b>SM</b>
Poles	<b>4</b>	Rotation	<b>Selective Counterclockwise</b>
Mounting	<b>Resilient Base</b>	Motor Orientation	<b>Any</b>
Drive End Bearing	<b>BALL</b>	Opp Drive End Bearing	<b>BALL</b>
Frame Material	<b>Rolled Steel</b>	Overall Length	<b>10.77 in</b>
Frame Length	<b>6.55 in</b>	Shaft Diameter	<b>0.630 in</b>
Shaft Extension	<b>1.88 in</b>		
Outline Drawing	<b>52A107705P3</b>	Connection Diagram	<b>52A105383AC</b>

This is an uncontrolled document once printed or downloaded and is subject to change without notice. Date Created: 06/29/2018

REV.	DESCRIPTION	DATE	APPROVED
12	CHG TO RBC FORMAT PER IS05-1777	03/01/06	SUDHA



\* W IS A VARIABLE CLEARANCE DUE TO VARIATIONS IN PARTS AND ASSEMBLY

P	TYPE	GE SIZE	NEMA "C"	"L"	"XH"	"XO"	"XR"	"XS"	"ZA"	"ZB"	"ZC"	"ZD"	MIN. SHELL	
7	KCR	48	56	12.66	6.50	3.58	8.18	2.15	2.17	2.40	8.40	3.20	3.38	8.43
6	KCR	49	56	11.91	5.75	3.58	8.18	2.15	2.17	1.60	7.81	3.20	2.86	7.68
5	KCR	49	56	10.37	4.23	2.86	8.18	2.15	2.89	1.60	7.72	3.20	2.97	6.15
4	KCR	49	56	11.37	5.23	3.52	8.18	2.15	2.23	2.40	8.40	3.20	3.38	7.15
3	KCR/KC	46	56	10.77	4.63	2.92	8.18	2.15	2.83	2.40	8.40	3.20	3.38	6.55
2	KCR	49	56	11.91	5.75	3.58	8.18	2.15	2.17	2.72	8.77	3.20	3.66	7.68
1	KCR	49	56	11.91	5.75	3.58	8.18	2.15	2.17	2.40	8.40	3.20	3.38	7.68

SIGNATURES	DATE
MODEL M.D. PAPER	05/24/91
DETAIL	
CHECKED	
ENGRG	
MFG	
QUALITY	
ISSUED	M.D. PAPER 05/04/95

**REGAL-BELOIT CORPORATION**

**OUTLINE**

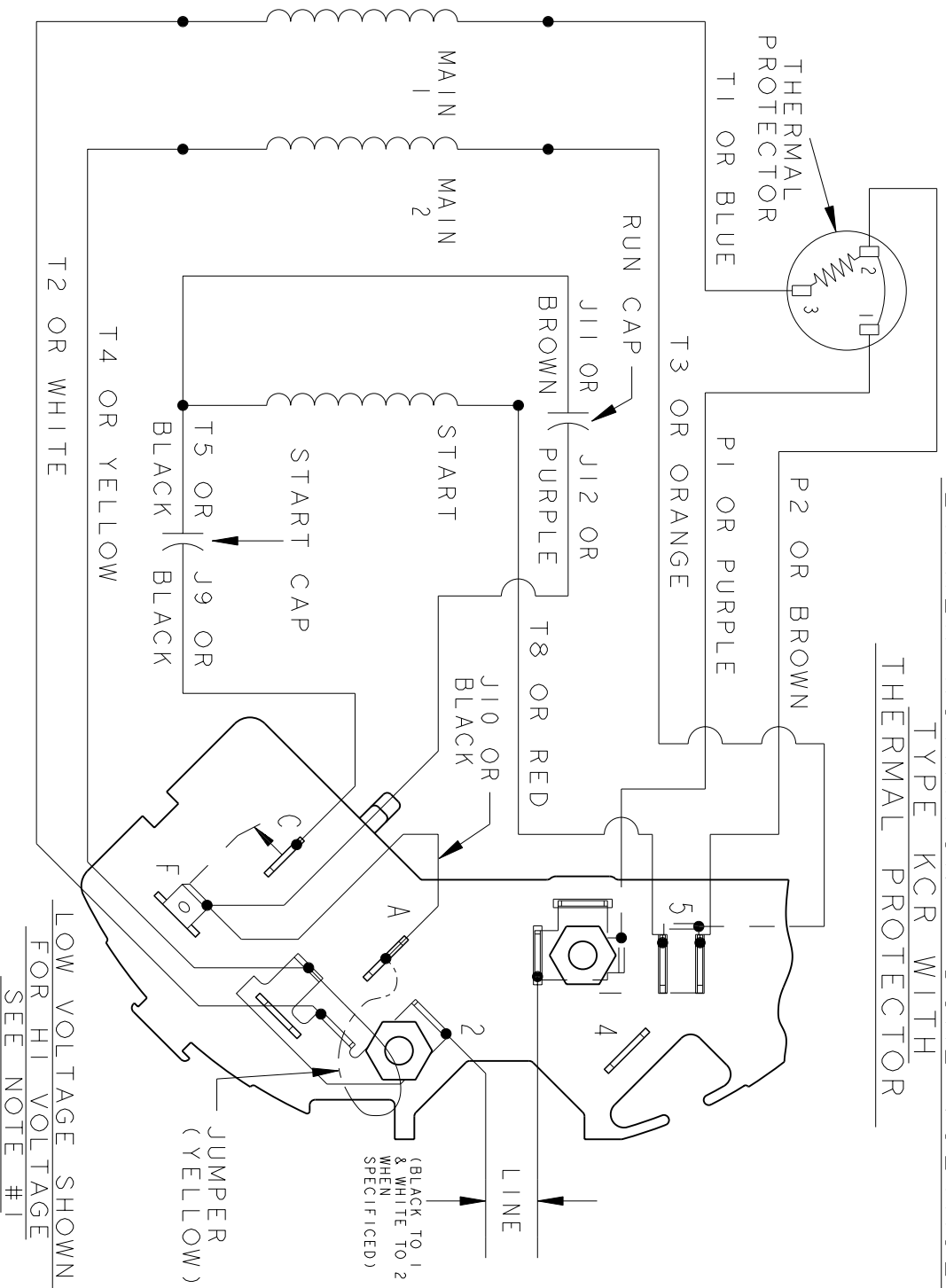
**40 FRAME REDESIGN - GENERAL PURPOSE MOTOR - DRIP PROOF - BALL BEARING - RESILIENT BASE**

FOR ADDITIONAL INFO REFER TO:	
APPLIED PRACTICES	QUALITY
DIMENSIONS ARE IN INCHES	ISSUED
MATERIAL	SOLID MODEL: 52A107705

TITLE	SCALE: 0.250	REF. No.:	SHEET 1 of 1
SIZE DRAWING	A		
REV	52A107705	12	

REVISIONS		DATE	APPROVED
REV.	DESCRIPTION		
4	ADDED NOTE FOR LINE LEAD PER DS09-1045	07/15/09	ARCHANA

EITHER ROTATION - DUAL VOLTAGE  
TYPE KCR WITH  
THERMAL PROTECTOR



- NOTE #1 - FOR HI VOLTAGE REMOVE BROWN (P2) FROM TERMINAL #5 AND PLACE ON TERMINAL #4, REMOVE WHITE (T2) FROM TERMINAL #2 AND PLACE ON TERMINAL #5.
- NOTE #2 - TO REVERSE ROTATION INTERCHANGE BLACK (J10) AND RED (T8) LEADS.
- NOTE #3 - WHEN MORE THAN ONE CAPACITOR IS USED CONNECT IN PARALLEL.

REF. DIAG. - NONE  
SWITCH - 115D958AC  
CONNECTION LABEL - 52X332051

SIGNATURES	DATE
MODEL M.D. PAPE	03/03/88
DETAIL	
CHECKED	
ENGRG	
MFG	
FOR ADDITIONAL INFO REFER TO:	
APPLIED PRACTICES	QUALITY
DIMENSIONS ARE IN INCHES	ISSUED
MATERIAL	M.D.P.
	03/03/88
	SOLID MODEL: 52A105383AC

**REGAL-BELOIT CORPORATION**

**REGAL-BELOIT**

**CONNECTION DIAGRAM**

**30 FRAME SWITCH REDESIGN**

SIZE DRAWING A

SCALE: 1.000 REF. No.:

SHEET 1 of 1