

PRODUCT INFORMATION PACKET

marathon[®]
Motors

Model No: 5KCR46JN0083X

Catalog No: E252

.33 HP General Purpose Motor, 1 phase, 1800 RPM, 100-120/200-240 V, 56C Frame, ODP
Single Phase ODP Motors



Regal and Marathon are trademarks of Regal Beloit Corporation or one of its affiliated companies.

©2019 Regal Beloit Corporation, All Rights Reserved. MC017097E

REGAL



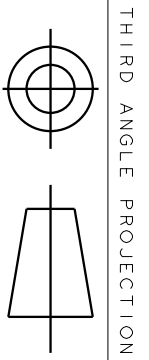
Nameplate Specifications

| | | | |
|----------------------------|------------------|------------------------|--------------------------|
| Output HP | .33 Hp | Output KW | .25 kW |
| Frequency | 60 Hz | Voltage | 100-120/200-240 V |
| Current | 4.0-3.8 A | Speed | 1725 rpm |
| Service Factor | 1.35 | Phase | 1 |
| Efficiency | 69.5 % | Power Factor | 0 |
| Duty | CONT | Insulation Class | B |
| KVA Code | R | Frame | 56C |
| Enclosure | DP | Thermal Protection | AUTO |
| Ambient Temperature | 40 °C | Drive End Bearing Size | 6203 |
| Opp Drive End Bearing Size | 6203 | UL | Recognized |
| CSA | Y | CE | N |

Technical Specifications

| | | | |
|-------------------|--|-----------------------|----------------|
| Electrical Type | Capacitor Start Capacitor Run(CSCR) | Starting Method | SM |
| Poles | 4 | Rotation | CCW/CW |
| Mounting | WB | Motor Orientation | ANY |
| Drive End Bearing | LOCKED | Opp Drive End Bearing | BALL |
| Overall Length | 10.77 in | Frame Length | 6.55 in |
| Shaft Extension | .625 X 1.88 - .188 X .188 KEY in | | |

This is an uncontrolled document once printed or downloaded and is subject to change without notice. Date Created:01/11/2019



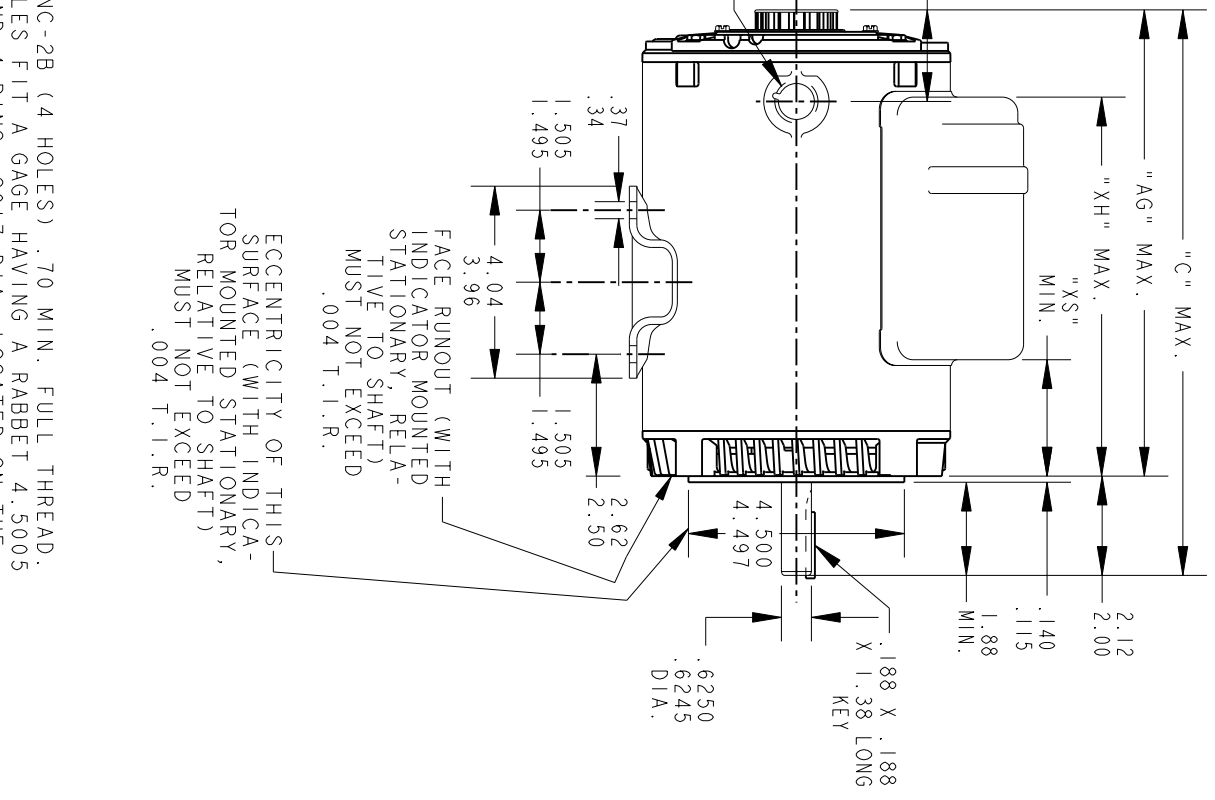
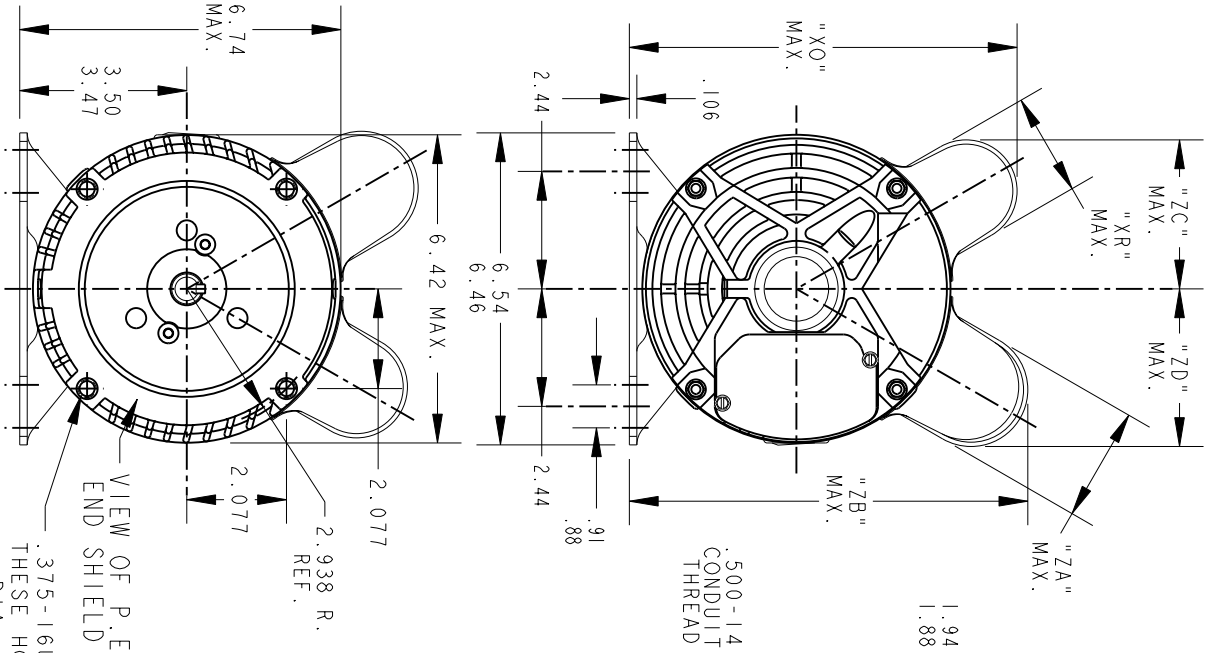
THIRD ANGLE PROJECTION

REVISIONS

| REV. | DESCRIPTION | DATE | APPROVED |
|------|---------------------------------|----------|----------|
| 4 | CHG TO RBC FORMAT PER IS05-1777 | 03/02/06 | SUDHA |

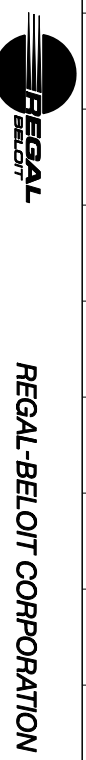
52A107779 4

SIZE DRAWING NO. A



ALL DIMENSIONS ARE IN INCHES

| 2 | KCR | 49 | 56CY | 11.38 | 9.26 | 7.54 | 8.18 | 2.15 | 1.79 | 2.40 | 8.40 | 3.20 | 3.38 | 7.15 |
|---|------|----|------|-------|------|------|------|------|------|------|------|------|------|------------|
| 1 | KCR | 46 | 56CY | 10.78 | 8.66 | 6.94 | 8.18 | 2.15 | 1.19 | 2.40 | 8.40 | 3.20 | 3.38 | 6.55 |
| P | TYPE | GE | NEMA | "C" | "AG" | "XH" | "XO" | "XR" | "XS" | "ZA" | "ZB" | "ZC" | "ZD" | MIN. SHELL |



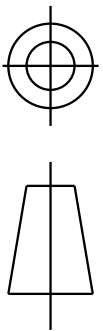
OUTLINE

GENERAL PURPOSE MOTOR DRIP PROOF - BALL BEARING
- WELDED BASE R2 END MOUNTED FME - 5KCR46JN0083Y & 5KCR49PN0095Y

| SIGNATURES | | DATE |
|-------------------------------|------------------------|----------|
| MODEL | M.D. PAPE | 02/27/92 |
| DETAIL | | |
| CHECKED | | |
| ENGRG | | |
| MFG | | |
| QUALITY | | |
| ISSUED | M.D. PAPE | 02/27/92 |
| FOR ADDITIONAL INFO REFER TO: | | |
| APPLIED PRACTICES | | |
| DIMENSIONS ARE IN INCHES | | |
| MATERIAL | SOLID MODEL: 52A107779 | |

| TITLE | SIZE | SCALE | REF. No. | SHEET |
|---|--------------|-------|----------|--------|
| GENERAL PURPOSE MOTOR DRIP PROOF - BALL BEARING - WELDED BASE R2 END MOUNTED FME - 5KCR46JN0083Y & 5KCR49PN0095Y | DRAWING A | 0.250 | | 1 of 1 |

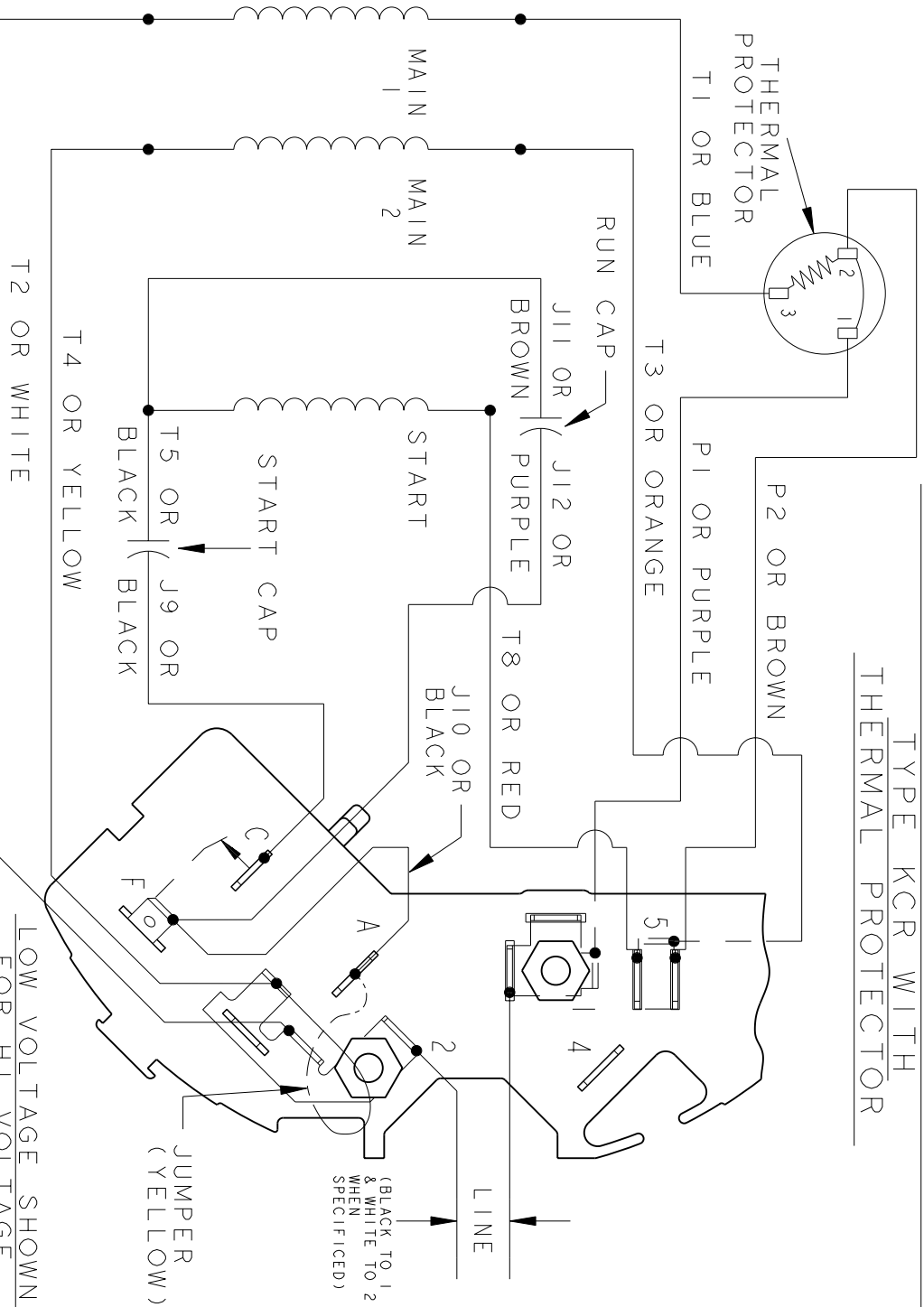
52A107779 4



| REV. | DESCRIPTION | DATE | APPROVED |
|------|--|----------|----------|
| 4 | ADDED NOTE FOR LINE LEAD PER DS09-1045 | 07/15/09 | ARCHANA |

EITHER ROTATION - DUAL VOLTAGE
TYPE KCR WITH
THERMAL PROTECTOR

52A105383AC



LOW VOLTAGE SHOWN
FOR HI VOLTAGE
SEE NOTE #1

- NOTE #1 - FOR HI VOLTAGE REMOVE BROWN (P2) FROM TERMINAL #5 AND PLACE ON TERMINAL #4, REMOVE WHITE (T2) FROM TERMINAL #2 AND PLACE ON TERMINAL #5.
- NOTE #2 - TO REVERSE ROTATION INTERCHANGE BLACK (J10) AND RED (T8) LEADS.
- NOTE #3 - WHEN MORE THAN ONE CAPACITOR IS USED CONNECT IN PARALLEL.

REF. DIAG. - NONE

SWITCH - 115D958AC

CONNECTION LABEL - 52X332051

| SIGNATURES | DATE |
|-------------------------------|--------------------------|
| MODEL M.D. PAPE | 03/03/88 |
| DETAIL | . |
| CHECKED | . |
| ENGRG | . |
| MFG | . |
| FOR ADDITIONAL INFO REFER TO: | |
| APPLIED PRACTICES | QUALITY |
| DIMENSIONS ARE IN INCHES | ISSUED |
| MATERIAL | SOLID MODEL: 52A105383AC |



REGAL-BELOTT CORPORATION

TITLE CONNECTION DIAGRAM

FMF: 30 FRAME SWITCH REDESIGN

| SIZE DRAWING | SCALE: 1.000 | REF. No.: | SHEET 1 of 1 |
|--------------|--------------|-----------|--------------|
| A | | | |

52A105383AC

REV 4