

PRODUCT INFORMATION PACKET

marathon[®]
Motors

Model No: 5KCP36RNA491S
Catalog No: P241
1/3,1075/900,TENV,56Z,1/60/115/200-230
Single Phase



Regal and Marathon are trademarks of Regal Beloit Corporation or one of its affiliated companies.
©2018 Regal Beloit Corporation, All Rights Reserved. MC017097E

REGAL[®]

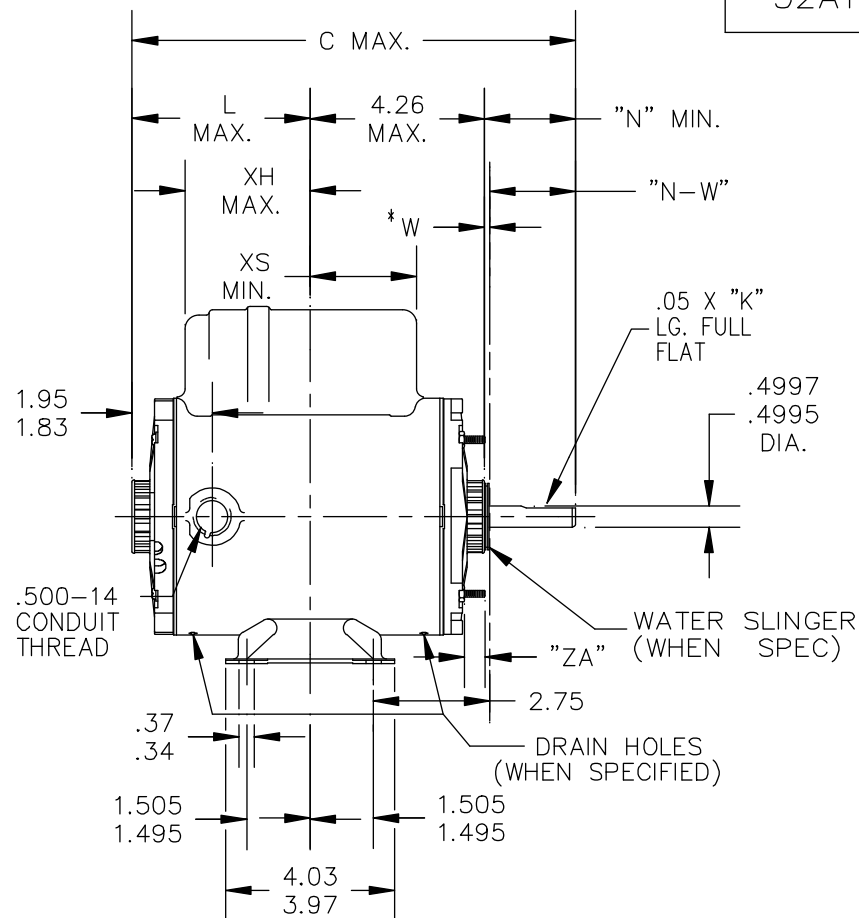
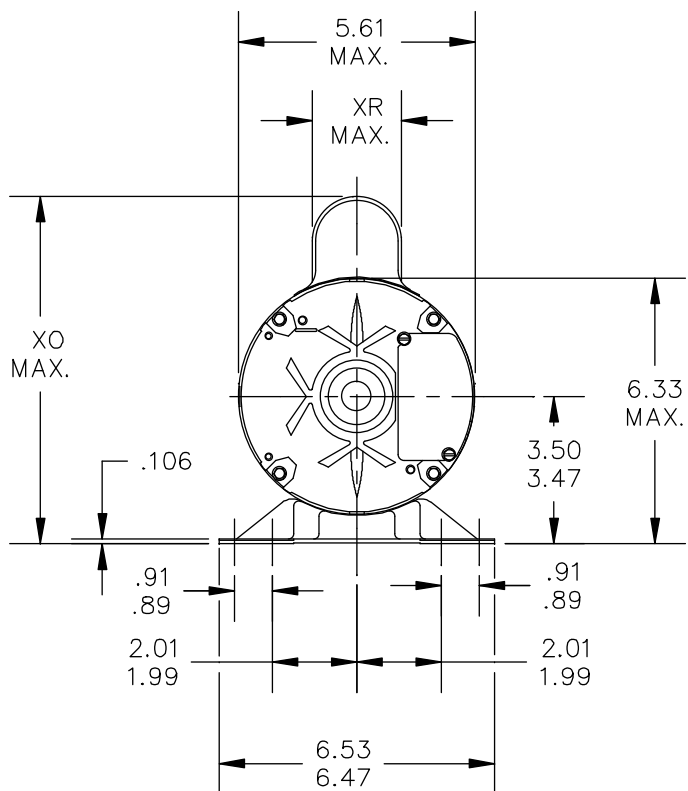
Nameplate Specifications

Output HP	0.33 Hp	Output KW	0.25 kW
Frequency	60 Hz	Voltage	115/200-230 V
Current	4.4,2.1-2.2 A	Speed	1075 rpm
Service Factor	1.5	Phase	1
Efficiency	61.5 %	Duty	Continous
Insulation Class	B	KVA Code	E
Frame	56Z	Enclosure	Totally Enclosed Non Ventilated
Overload Protector	AUTO	Ambient Temperature	65 °C
Drive End Bearing Size	6203	Opp Drive End Bearing Size	6203
UL	Recognized	CSA	Yes
CE	N		

Technical Specifications

Electrical Type	Permanent Split Capacitor(PSC)	Starting Method	N/R
Poles	6	Rotation	Selective Counterclockwise
Mounting	Rigid base	Motor Orientation	Any
Drive End Bearing	BALL	Opp Drive End Bearing	BALL
Frame Material	Rolled Steel	Overall Length	10.75 in
Frame Length	6.22 in	Shaft Diameter	0.500 in
Shaft Extension	2.25 in	Thru-bolts Extension	0
Outline Drawing	52A109368P1	Connection Diagram	52A105383CD

This is an uncontrolled document once printed or downloaded and is subject to change without notice. Date Created: 07/02/2018

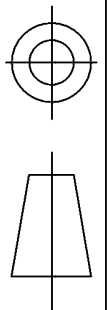


* W IS A CLEARNCE DUE TO VARIATION IN PARTS AND ASSEMBLY.

1	KCP	36	56Z	10.75	4.29	2.25	2.38/2.16	1.91	3.05	2.63	2.22	8.43	.62	
P	TYPE	RBC SIZE	NEMA FR	C	L	"N" MIN.	"N-W"	K	XH	XS	XR	XO	ZA MIN.	

				TOLERANCES UNLESS SPECIFIED		REGAL-BELOIT CORPORATION				DRAWN M.D.P 11/09/93			
				DEC.	INCHES					CHK			
				.X	±0.1	APPD M.D.P 11/09/93							
3	REDRAWN IN DRAFT SIGHT NO CHANGES	UD	10/18/12	PKG	.XX	±0.02	TITLE				SCALE 1=1		
2	CHG TO RBC FORMAT PER ISO5-1777	SD	03/13/06		.XXX	±0.005	OUTLINE				REF		
1	TAB DIM K & ZA , REV C,N & N-W	M.A.M02	17/94		.XXXX	±0.0005	SPECIAL PURPOSE MOTOR - TENV -WELDED BASE				FMF		
NO.	REVISION	BY & DATE	CHK	ANG	±1.0	FINISH	PREV						
THIS DRAWING IN DESIGN AND DETAIL IS OUR PROPERTY AND MUST NOT BE USED EXCEPT IN CONNECTION WITH OUR WORK ALL RIGHTS OF DESIGN AND INVENTION ARE RESERVED THIS IS AN ELECTRONICALLY GENERATED DOCUMENT - DO NOT SCALE THIS PRINT				RFP	CAD FILE			52A109368		SIZE	DRAWING NO.		REV.
				DIST				A	52A109368		3		

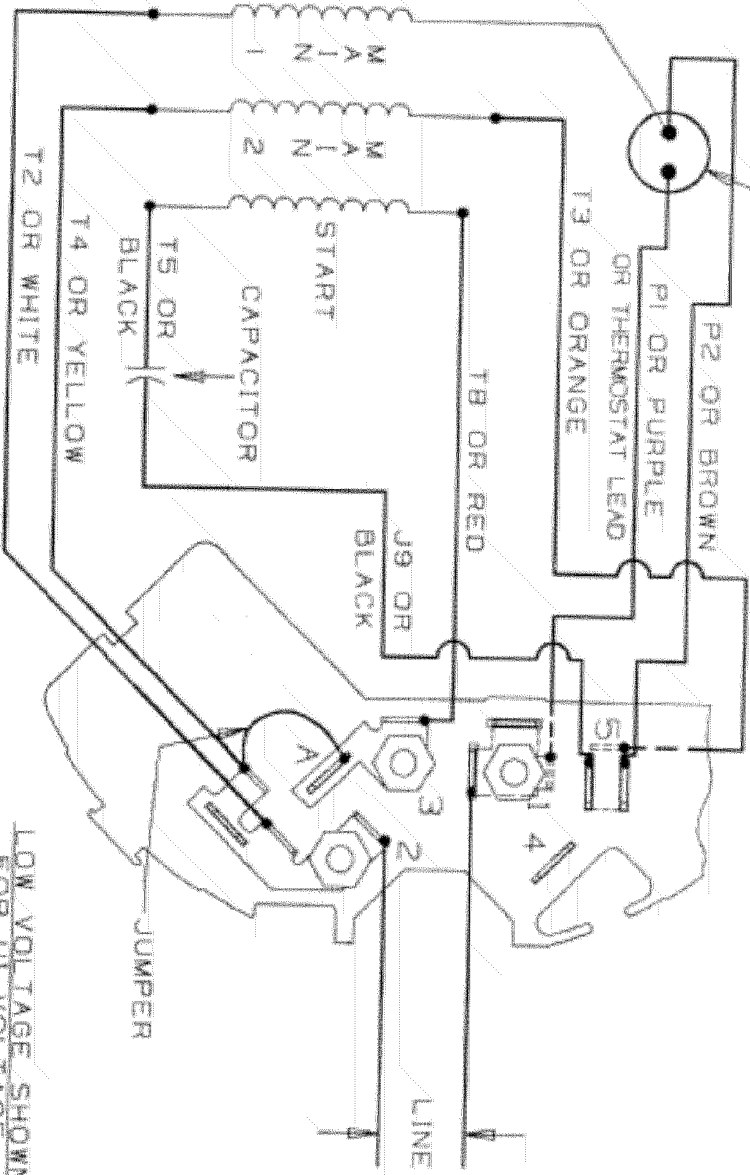
RBC PROPRIETARY AND CONFIDENTIAL INFORMATION
 This document is the property of REGAL-BELOIT CORPORATION ("RBC") including its subsidiaries and divisions and contains proprietary information of RBC. It is to be used only for the specific application and purpose for which it was prepared. RBC does not warrant, represent, or guarantee that the information contained herein is accurate, complete, or that the information shall be held by the recipient only for the purpose represented by RBC. This document shall be controlled by RBC and its information shall be restricted to the recipient under U.S. export control laws and regulations.



THIRD ANGLE PROJECTION

REVISIONS		DATE	APPROVED
REV. 1	DESCRIPTION	05/24/06	SHIRISH
1	FORMAT CHG TO RBC PER ISO5-1777		

ITHER ROTATION DUAL VOLTAGE
 TYPE KCP WITH
 THERMOSTAT



LOW VOLTAGE SHOWN
 FOR HI VOLTAGE
 SEE NOTE #1

- NOTE #1 - FOR HI VOLTAGE REMOVE BROWN (P2) FROM TERMINAL #5 AND PLACE ON TERMINAL #4 REMOVE WHITE (T2) FROM TERMINAL #2 AND PLACE ON TERMINAL #5.
- NOTE #2 - TO REVERSE ROTATION/INTERCHANGE RED (T8) AND BLACK (J9) LEADS.
- NOTE #3 - WHEN MORE THAN ONE CAPACITOR IS USED CONNECT IN PARALLEL

REF. DIAG. - IHA391
 TERM. BD. & PARTS - IISD95BAT
 CONNECTION LABEL - 52X332956

FOR ADDITIONAL INFO REFER TO:	SIGNATURES	DATE
APPLIED PRACTICES	MODEL M.D.PAPE	03/02/89
DIMENSIONS ARE IN INCHES	DETAIL	
TOLERANCE ON:	CHECKED	
1 PL DECIMALS ± 0.1	ENGRG	
2 PL DECIMALS ± 0.01	MFG	
3 PL DECIMALS ± 0.005	QUALITY	
ANGLES ± 0.5	ISSUED	03/02/89
FRACTIONS ±	QUALITY	
FINISH	ISSUED	M.D.PAPE
	SOLID MODEL: MODEL NAME	



REGAL-BELOIT CORPORATION

CONNECTION DIAGRAM

First made for - 5KCP33KN18GT

TITLE	SIZE	DRAWING	REV
CONNECTION DIAGRAM	A	52A105383CD	1
SCALE: DRAWING SCALE			SHEET 1 of 1