

PRODUCT INFORMATION PACKET

marathon[®]
Motors

Model No: 5KCP36NNB671U
Catalog No: P253
1/2 Hp , 1 Ph , 115 V , 1625/1325 RPM , AC Motor
Instant Reversing



Regal and Marathon are trademarks of Regal Beloit Corporation or one of its affiliated companies.
©2018 Regal Beloit Corporation, All Rights Reserved. MC017097E

REGAL

Product Information Packet: Model No: 5KCP36NNB671U, Catalog No:P253 1/2 Hp ,1 Ph , 115 V ,1625/1325 RPM , AC Motor

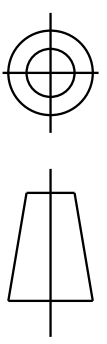
Nameplate Specifications

Output HP	1/2 Hp	Output KW	0.37 kW
Frequency	60 Hz	Voltage	115 V
Current	5.4 A	Speed	1625/1325 rpm
Service Factor	1	Phase	1
Efficiency	57 %	Duty	Continuous
Insulation Class	B	KVA Code	A
Frame	56	Enclosure	Drip Proof
Overload Protector	MANUAL	Ambient Temperature	40 °C
Drive End Bearing Size	6203	Opp Drive End Bearing Size	6203
UL	Recognized	CSA	Yes
CE	N		

Technical Specifications

Electrical Type	Permanent Split Capacitor(PSC)	Starting Method	N/R
Poles	4	Rotation	Instant Reversible
Mounting	Rigid Base	Motor Orientation	ANY
Drive End Bearing	BALL	Opp Drive End Bearing	BALL
Frame Material	Rolled Steel	Overall Length	9.85 in
Frame Length	6.22 in	Shaft Diameter	0.63 in
Shaft Extension	1.88 in		
Outline Drawing	52A111716P1	Connection Diagram	52A109207

This is an uncontrolled document once printed or downloaded and is subject to change without notice. Date Created: 10/08/2018

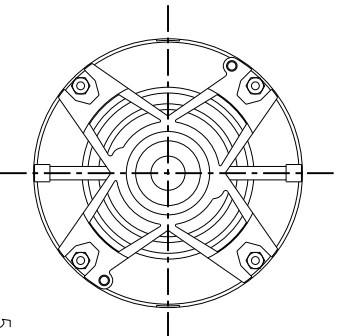


THIRD ANGLE PROJECTION

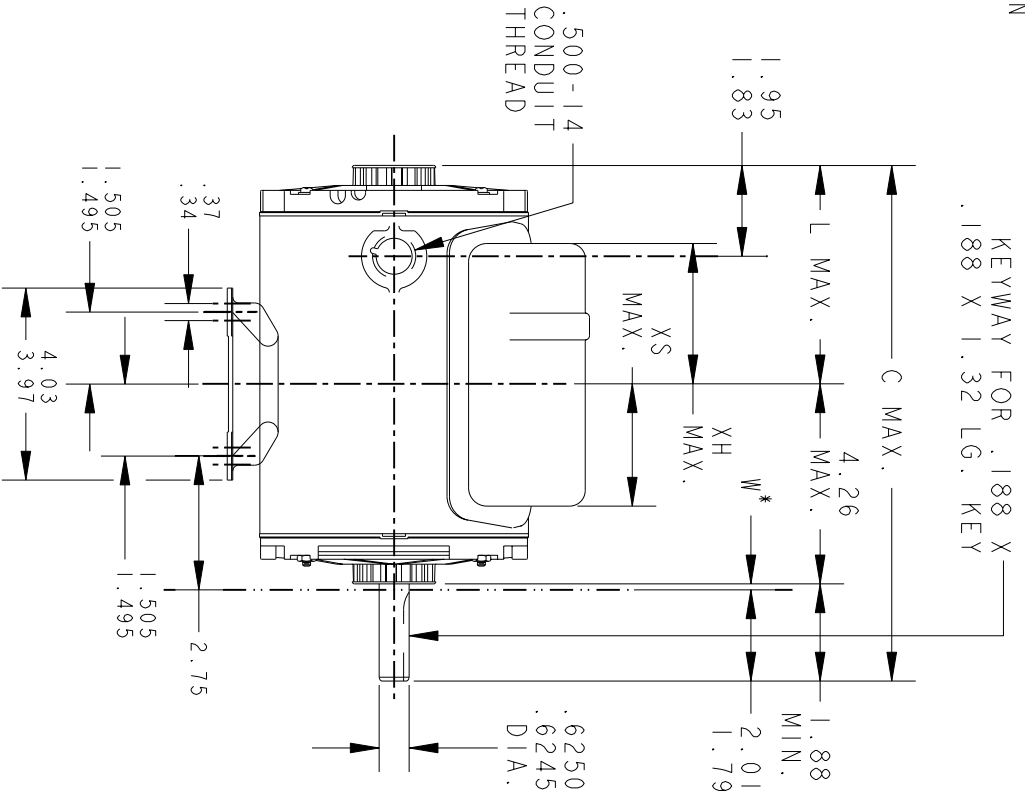
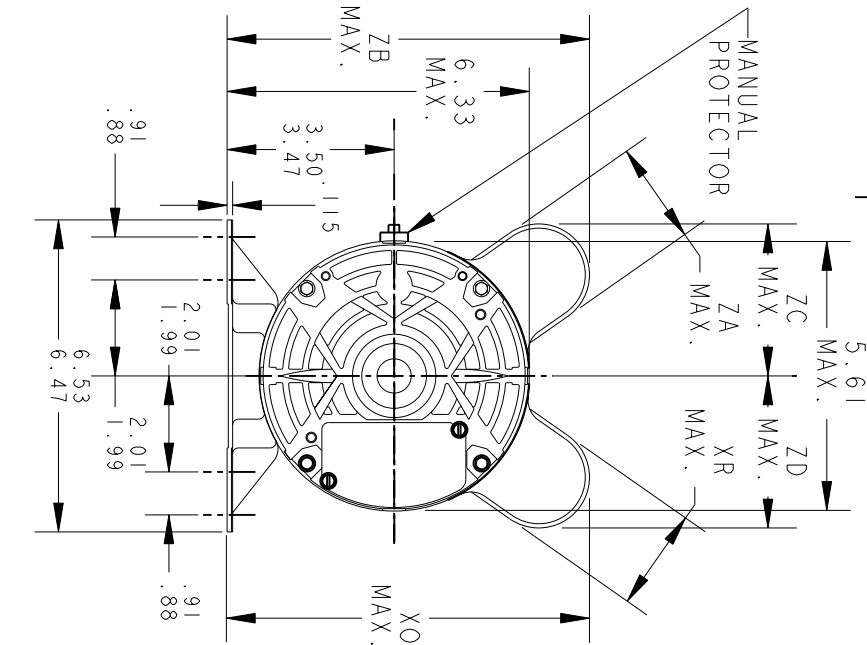
REVISIONS

REV.	DESCRIPTION	DATE	APPROVED
1	UPDATED AS PER ISAAC 05-2750	10/27/05	PRAVEEN.K

52A111716 1



VIEW SHOWING P.E. VENTILATION OPENINGS



W * IS A CLEARANCE DUE TO VARIATION IN PARTS AND ASSEMBLY.

P	TYPE	GE SIZE	NEMA FR	C	L	XH	XS	XR	XO	ZD	ZA	ZB	ZC	SHELL REF.
1	KCP	36	56	10.30	4.23	3.09	2.61	2.22	7.81	3.38	2.22	7.81	3.38	6.22



REGAL-BELOLT CORPORATION

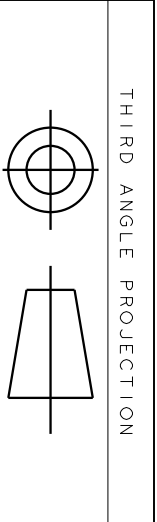
TITLE OUTLINE

FORM N-GENERAL PURPOSE MOTOR-DRIP PROOF- RIGID BASE- BALL OR SLEEVE BEARING FME-5KCP36NNB67U

SIZE DRAWING A

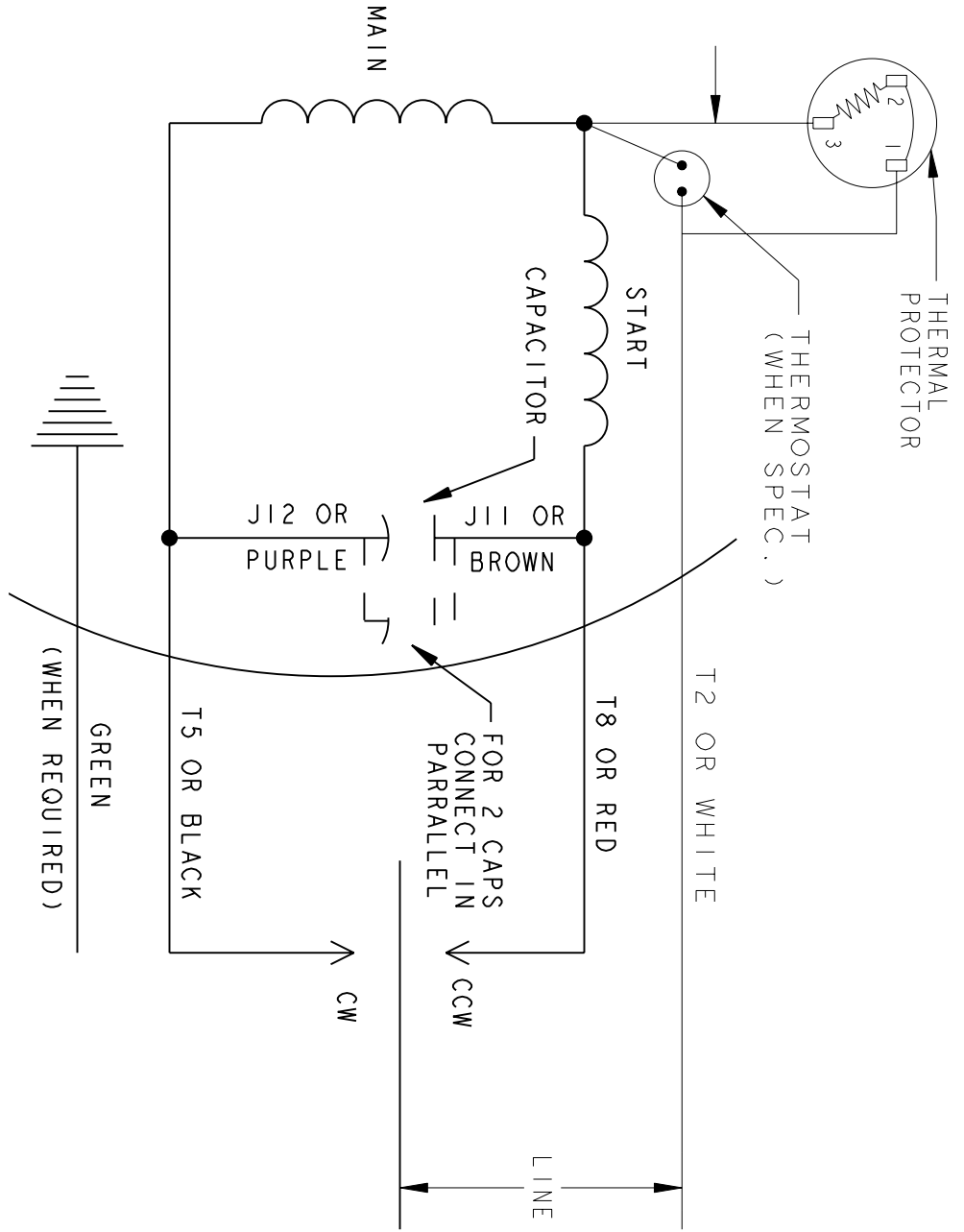
SCALE: 0.003 REF. No: .

FOR ADDITIONAL INFO REFER TO:	MFG	
APPLIED PRACTICES	QUALITY	
DIMENSIONS ARE IN INCHES	ISSUED	DEBRAJ
MATERIAL	SOLID MODEL:	52A111716



REVISIONS		DESCRIPTION	DATE	APPROVED
REV.	6	UPDATED TO RBC FORMAT	01/12/06	MAM

REVERSIBLE ROTATION - SINGLE VOLTAGE - TYPE KCP WITH CAPACITOR



REF. DIAG. - NONE

CONNECTION LABEL - 52X333135

SIGNATURES	DATE
MODEL B.L.J.	04/14/93
DETAIL	
CHECKED	
ENGRG	
MFG	
QUALITY	
ISSUED B.L.J.	04/14/93
APPLIED PRACTICES	
DIMENSIONS ARE IN INCHES	
MATERIAL	

REGAL-BELOIT CORPORATION

CONNECTION DIAGRAM

FME: 5KCP33GNA335AX

SCALE: 1.000 REF. No: .

SIZE DRAWING A

52A109207

REV 6