

PRODUCT INFORMATION PACKET

marathon[®]
Motors

Model No: 5KCP36NNB670U
Catalog No: PG252
1/2, 1625/1325, DP, 56, 1/60/115
Instant Reversing



Regal and Marathon are trademarks of Regal Beloit Corporation or one of its affiliated companies.
©2018 Regal Beloit Corporation, All Rights Reserved. MC017097E

REGAL[®]

Product Information Packet: Model No: 5KCP36NNB670U, Catalog No:PG252 1/2,1625/1325,DP,56,1/60/115

Nameplate Specifications

Output HP	1/2 Hp	Output KW	0.37 kW
Frequency	60 Hz	Voltage	115 V
Current	5.4 A	Speed	1625/1325 rpm
Service Factor	1	Phase	1
Efficiency	59.1 %	Duty	Continuous
Insulation Class	B	KVA Code	A
Frame	56	Enclosure	Drip Proof
Overload Protector	MANUAL	Ambient Temperature	40 °C
Drive End Bearing Size	6203	Opp Drive End Bearing Size	6203
UL	Recognized	CSA	Yes
CE	N		

Technical Specifications

Electrical Type	Permanent Split Capacitor(PSC)	Starting Method	N/R
Poles	4	Rotation	Instant Reversible
Mounting	Resilient Base	Motor Orientation	ANY
Drive End Bearing	BALL	Opp Drive End Bearing	BALL
Frame Material	Rolled Steel	Overall Length	9.85 in
Frame Length	6.22 in	Shaft Diameter	0.63 in
Shaft Extension	1.88 in		
Outline Drawing	52A111713P1	Connection Diagram	52A109207

This is an uncontrolled document once printed or downloaded and is subject to change without notice. Date Created: 10/08/2018



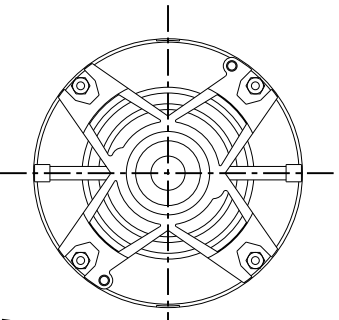
THIRD ANGLE PROJECTION

REVISIONS

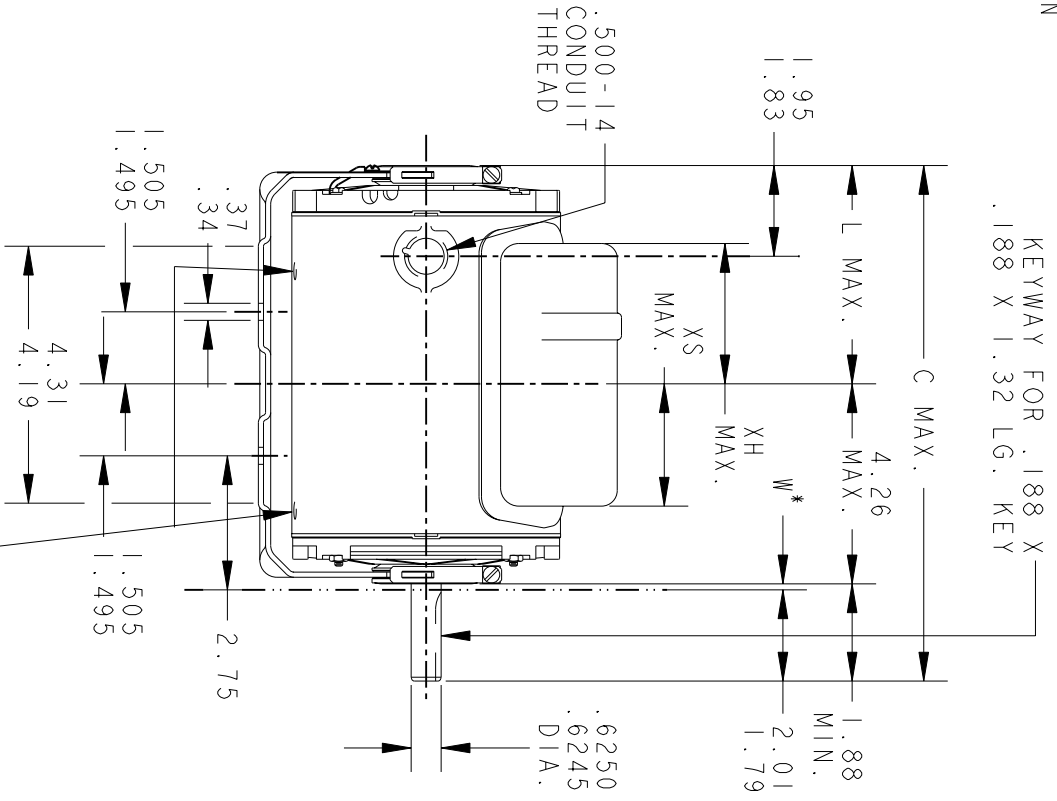
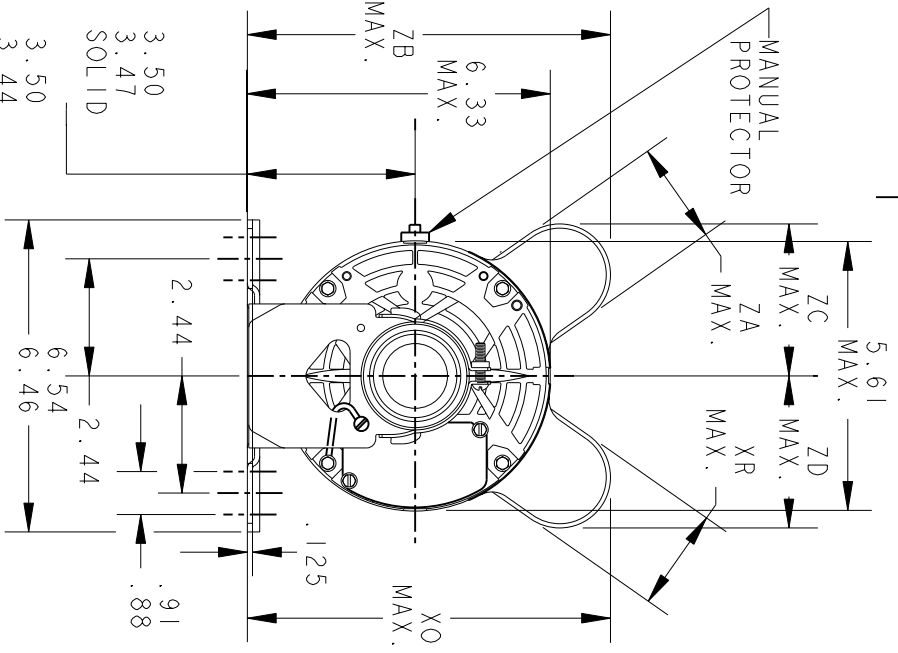
REV.	DESCRIPTION	DATE	APPROVED
1	UPDATED OE E/S TO SHOW TBC IS09-4038	10/01/09	DURGA

52A111713 1

SIZE A DRAWING NO.



VIEW SHOWING P.E. VENTILATION OPENINGS



* IS A CLEARANCE DUE TO VARIATION IN PARTS AND ASSEMBLY.

P	TYPE	RBC SIZE	NEMA FR	C	L	XH	XS	XR	XO	ZD	ZA	ZB	ZC	SHELL REF.
1	KCP	36	56	9.85	4.23	3.09	2.61	2.22	7.81	3.38	2.22	7.81	3.38	6.22

SIGNATURES		DATE
MODEL	PRAVEEN K	07/12/05
DETAIL		
CHECKED		
ENGRG		



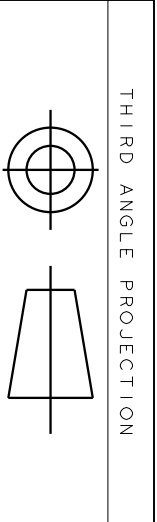
REGAL-BELOTT CORPORATION

TITLE OUTLINE

FORM N - GENERAL PURPOSE MOTOR - DRIP PROOF - SOLID OR RESIL. BASE - BALL OR SLEEVE BEARING

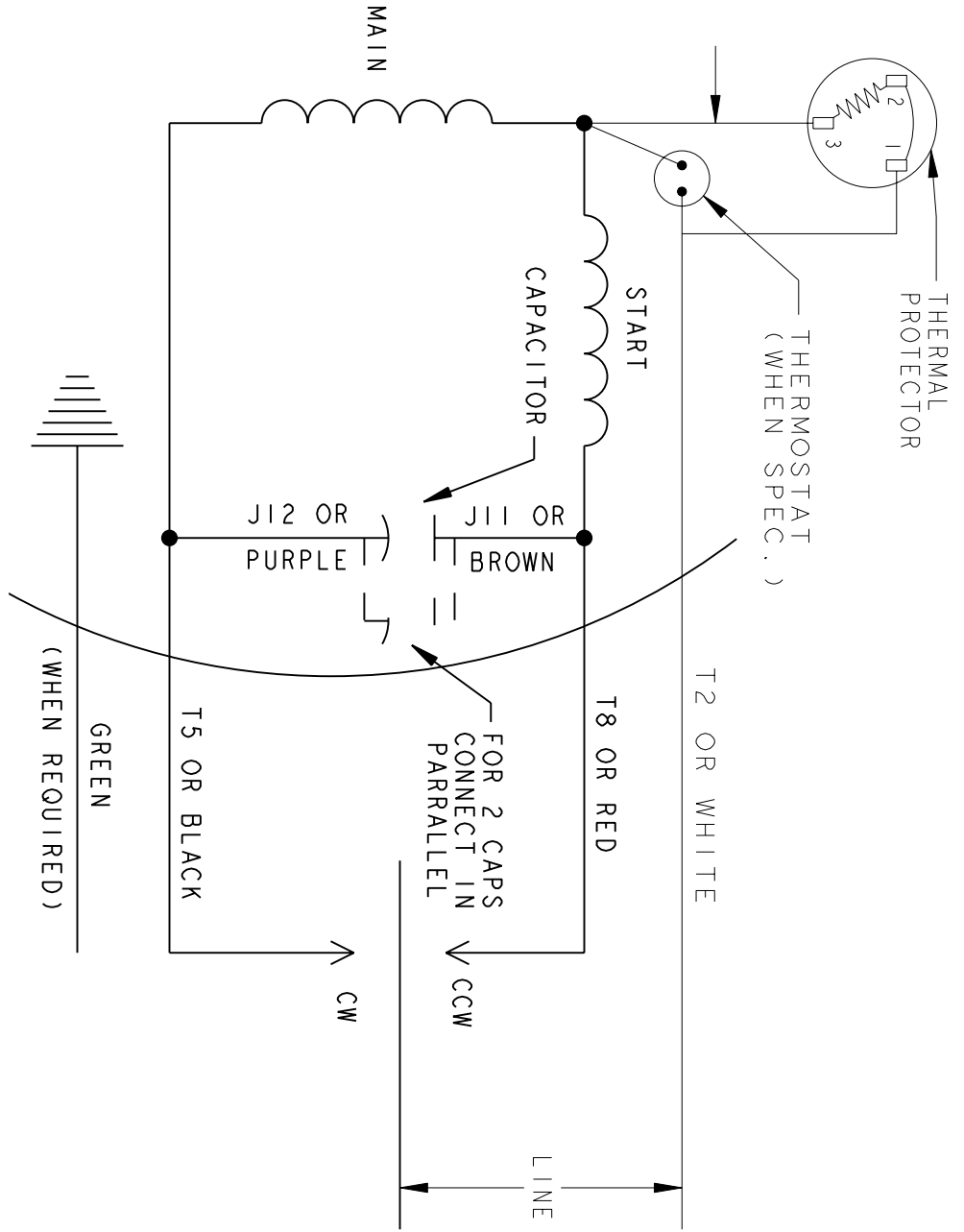
FOR ADDITIONAL INFO REFER TO:	MFG	
APPLIED PRACTICES	QUALITY	
DIMENSIONS ARE IN INCHES	ISSUED	DEBRAJ
MATERIAL	SOLID MODEL:	52A111713

SIZE	A	SCALE:	1.000	REF. No.:	
REV	1				



REVISIONS		DESCRIPTION	DATE	APPROVED
REV.	6	UPDATED TO RBC FORMAT	01/12/06	MAM

REVERSIBLE ROTATION - SINGLE VOLTAGE - TYPE KCP WITH CAPACITOR



REF. DIAG. - NONE

CONNECTION LABEL - 52X333135

SIGNATURES	DATE
MODEL B.L.J.	04/14/93
DETAIL	.
CHECKED	.
ENGRG	.
MFG	.
QUALITY	.
ISSUED B.L.J.	04/14/93
APPLIED PRACTICES	✓
DIMENSIONS ARE IN INCHES	✓
MATERIAL	SOLID MODEL: 52A109207

REGAL-BELOIT CORPORATION

CONNECTION DIAGRAM

FME: 5KCP33GNA335AX

SIZE A	DRAWING	SCALE: 1.000	REF. No:
52A109207		REV 6	