

PRODUCT INFORMATION PACKET

marathon[®]
Motors

Model No: 5KCP35KNB650U
Catalog No: P254
1/3 Hp ,1 Ph , 115 V ,1625/1325 RPM , AC Motor
Instant Reversing



Regal and Marathon are trademarks of Regal Beloit Corporation or one of its affiliated companies.

©2018 Regal Beloit Corporation, All Rights Reserved. MC017097E

REGAL

Product Information Packet: Model No: 5KCP35KNB650U, Catalog No:P254 1/3 Hp ,1 Ph , 115 V ,1625/1325 RPM , AC Motor

Nameplate Specifications

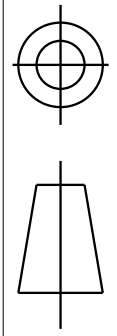
Output HP	1/3 Hp	Output KW	0.25 kW
Frequency	60 Hz	Voltage	115 V
Current	3.8 A	Speed	1625/1325 rpm
Service Factor	1	Phase	1
Efficiency	57.5 %	Duty	Continuous
Insulation Class	B	KVA Code	A
Frame	56	Enclosure	Drip Proof
Overload Protector	MANUAL	Ambient Temperature	40 °C
Drive End Bearing Size	6203	Opp Drive End Bearing Size	6203
UL	Recognized	CSA	Yes
CE	N		

Technical Specifications

Electrical Type	Permanent Split Capacitor(PSC)	Starting Method	N/R
Poles	4	Rotation	Instant Reversible
Mounting	Resilient Base	Motor Orientation	ANY
Drive End Bearing	BALL	Opp Drive End Bearing	BALL
Frame Material	Rolled Steel	Overall Length	9.42 in
Frame Length	5.79 in	Shaft Diameter	0.63 in
Shaft Extension	1.88 in		
Outline Drawing	52A111717P1	Connection Diagram	52A109207

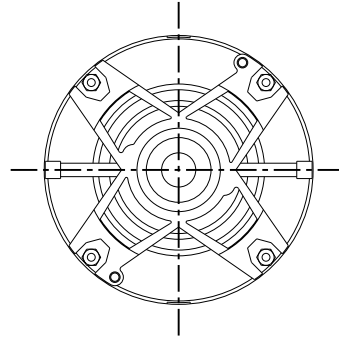
This is an uncontrolled document once printed or downloaded and is subject to change without notice. Date Created: 10/08/2018

THIRD ANGLE PROJECTION

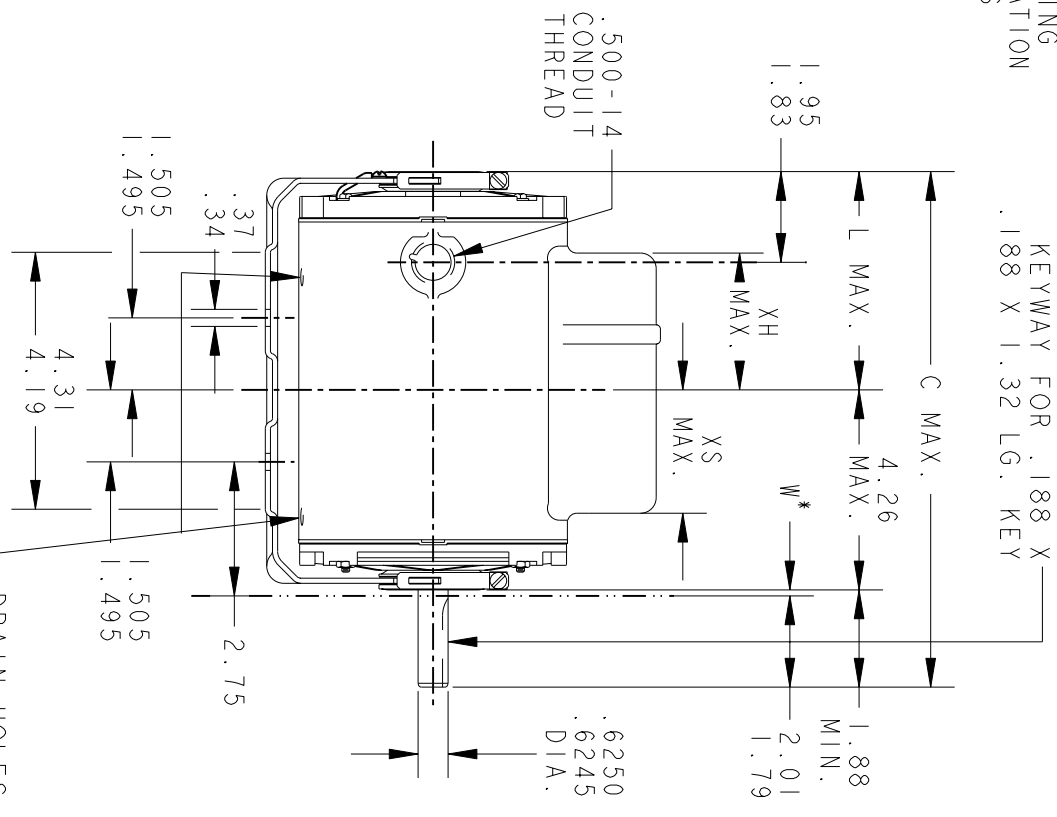
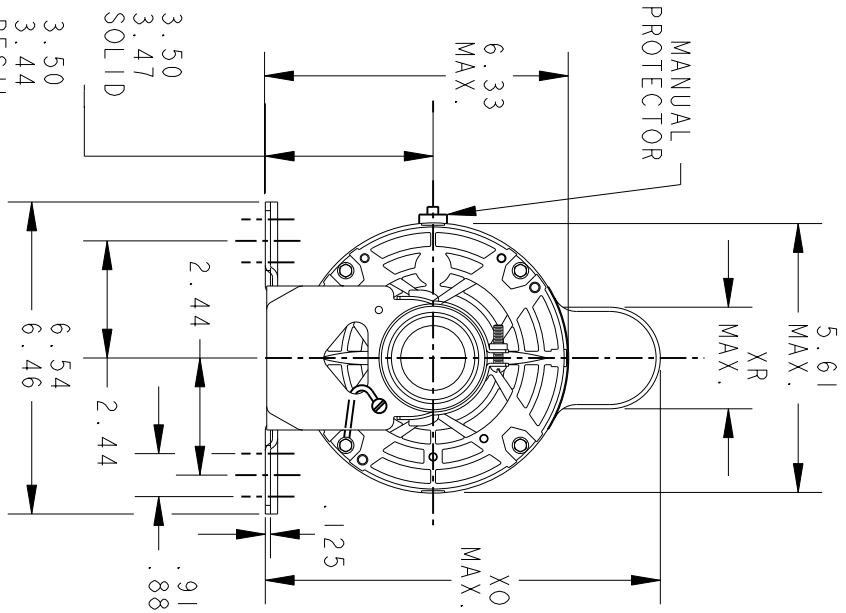


REVISIONS

REV.	DESCRIPTION	DATE	APPROVED
1	RBC FORMAT - NO CHGS	08/11/05	PRAVEEN.K
2	UPDATED AS PER ISAAC 05-2752	10/27/05	PRAVEEN.K



VIEW SHOWING P.E. VENTILATION OPENINGS



* IS A CLEARANCE DUE TO VARIATION IN PARTS AND ASSEMBLY.

P	TYPE	GE SIZE	NEMA FR	C	L	XH	XS	XR	XO	SHELL REF.
1	KCP	35	56	9.94	3.80	2.66	3.04	2.22	8.53	5.79

SIGNATURES

DATE

MODEL

DEBRAJ 08/04/05

DETAIL

DEBRAJ 08/04/05

CHECKED

ENGRG

FOR ADDITIONAL INFO REFER TO:

MFG

APPLIED PRACTICES

QUALITY

DIMENSIONS ARE IN INCHES

ISSUED

MATERIAL

SOLID MODEL: 52A111717



REGAL-BELOTT CORPORATION

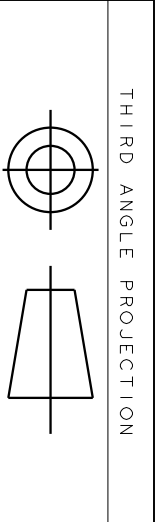
OUTLINE

FORM N - GENERAL PURPOSE MOTOR - DRIP PROOF-SOLID OR RESIL.BASE - BALL OR SLEEVE BEARING

SIZE DRAWING A

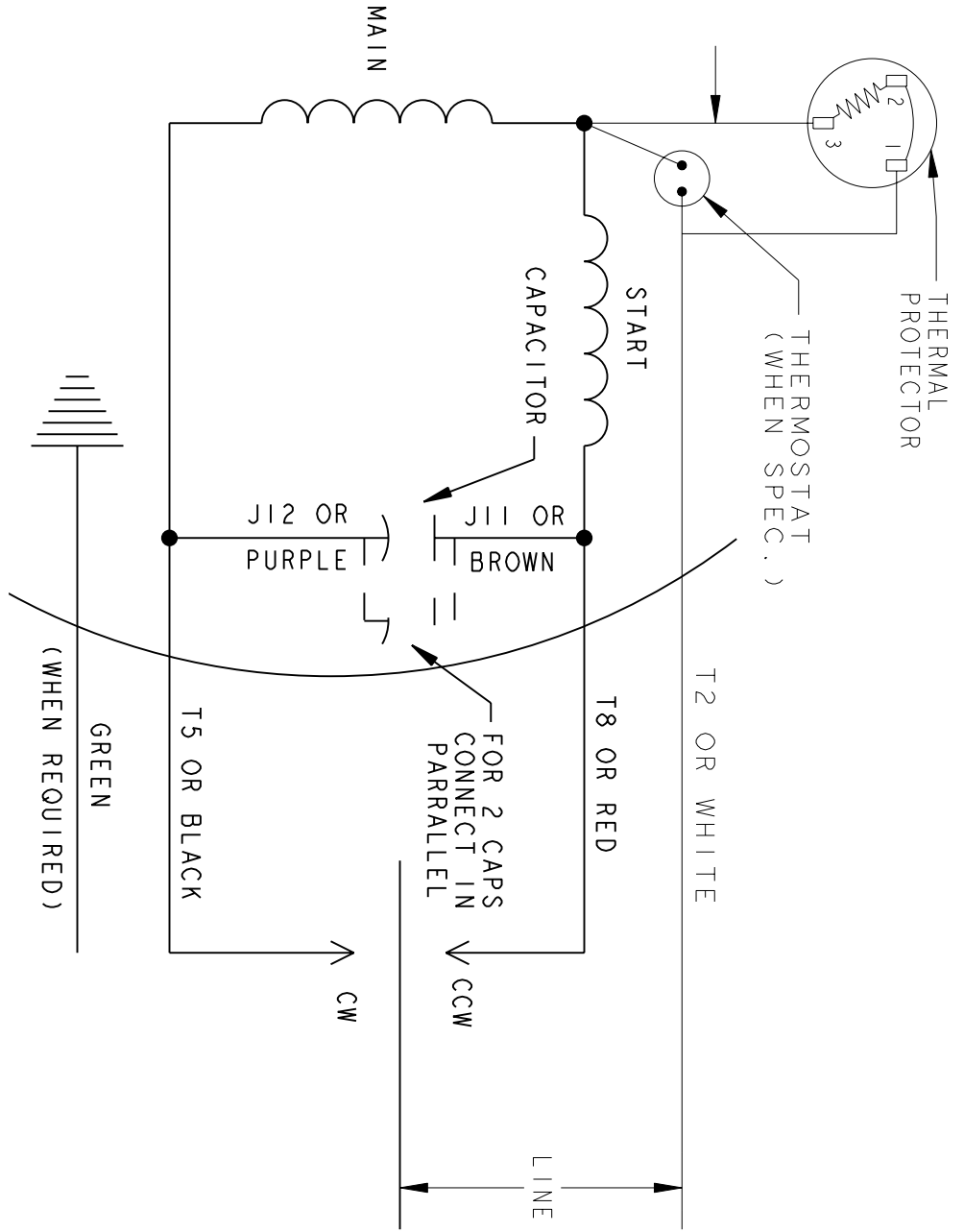
SCALE: 1.000 REF. No.: 52A111717

SHEET 1 of 1



REVISIONS		DESCRIPTION	DATE	APPROVED
REV.	6	UPDATED TO RBC FORMAT	01/12/06	MAM


REVERSIBLE ROTATION - SINGLE VOLTAGE - TYPE KCP WITH CAPACITOR



REF. DIAG. - NONE

CONNECTION LABEL - 52X333135

SIGNATURES	DATE
MODEL B.L.J.	04/14/93
DETAIL	
CHECKED	
ENGRG	
MFG	
QUALITY	
ISSUED B.L.J.	04/14/93
APPLIED PRACTICES	
DIMENSIONS ARE IN INCHES	
MATERIAL	



REGAL-BELOIT CORPORATION

CONNECTION DIAGRAM

FME: 5KCP33GNA335AX

SIZE	DRAWING	SCALE: 1.000	REF. No:
A			