

PRODUCT INFORMATION PACKET

marathon[®]
Motors

Model No: 5KCP35CNA490S
Catalog No: PG240
1/20,1625/1350,TENV,48Z,1/60/115/200-230
Direct Drive Blower and Unit Heater



Regal and Marathon are trademarks of Regal Beloit Corporation or one of its affiliated companies.

©2018 Regal Beloit Corporation, All Rights Reserved. MC017097E

REGAL[®]

Nameplate Specifications

Output HP	0.05 Hp	Output KW	0.04 kW
Frequency	60 Hz	Voltage	115/200-230 V
Current	1.5,0.7-0.8 A	Speed	1625 rpm
Service Factor	1.5	Phase	1
Efficiency	35.5 %	Duty	Continous
Insulation Class	B	KVA Code	J
Frame	48Z	Enclosure	Totally Enclosed Non Ventilated
Overload Protector	AUTO	Ambient Temperature	65 °C
Drive End Bearing Size	6203	Opp Drive End Bearing Size	6203
UL	Recognized	CSA	Yes
CE	N		

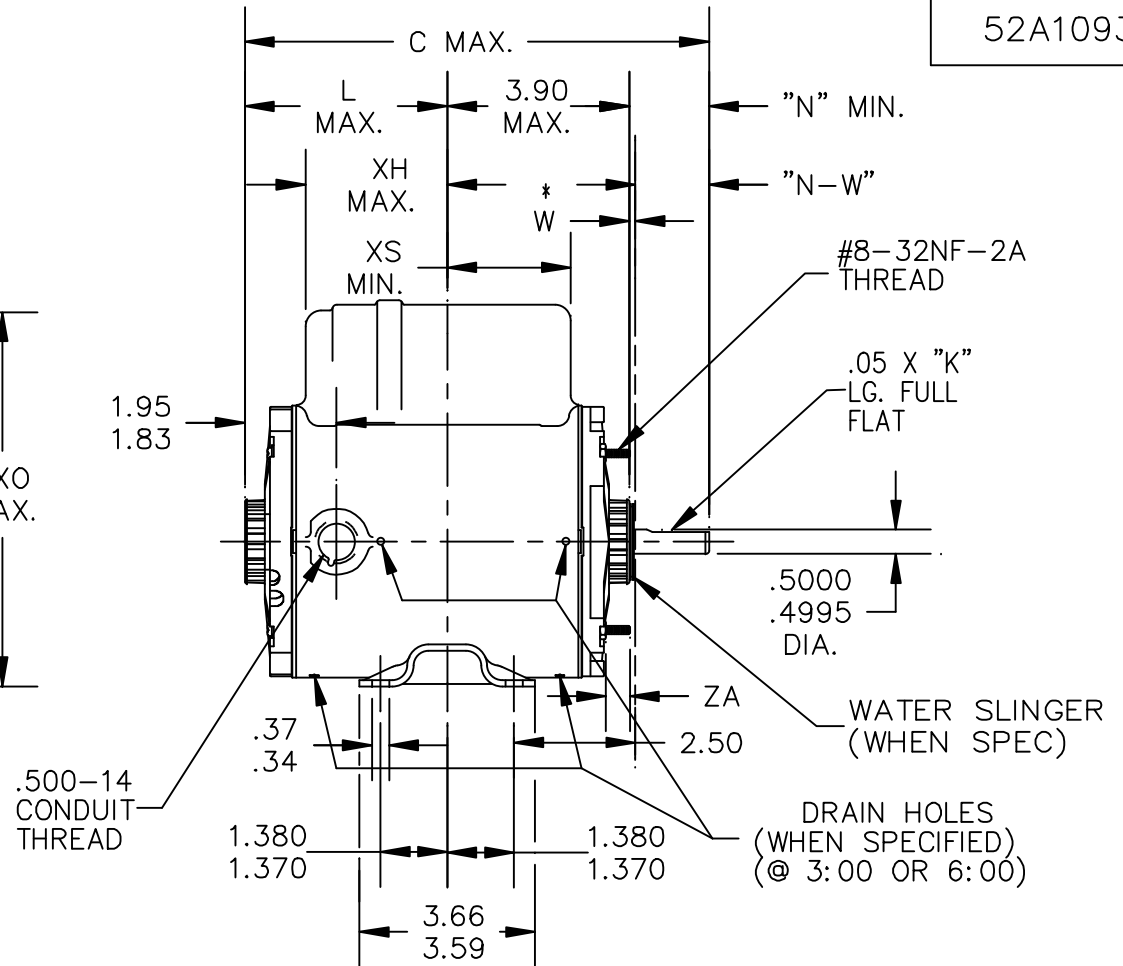
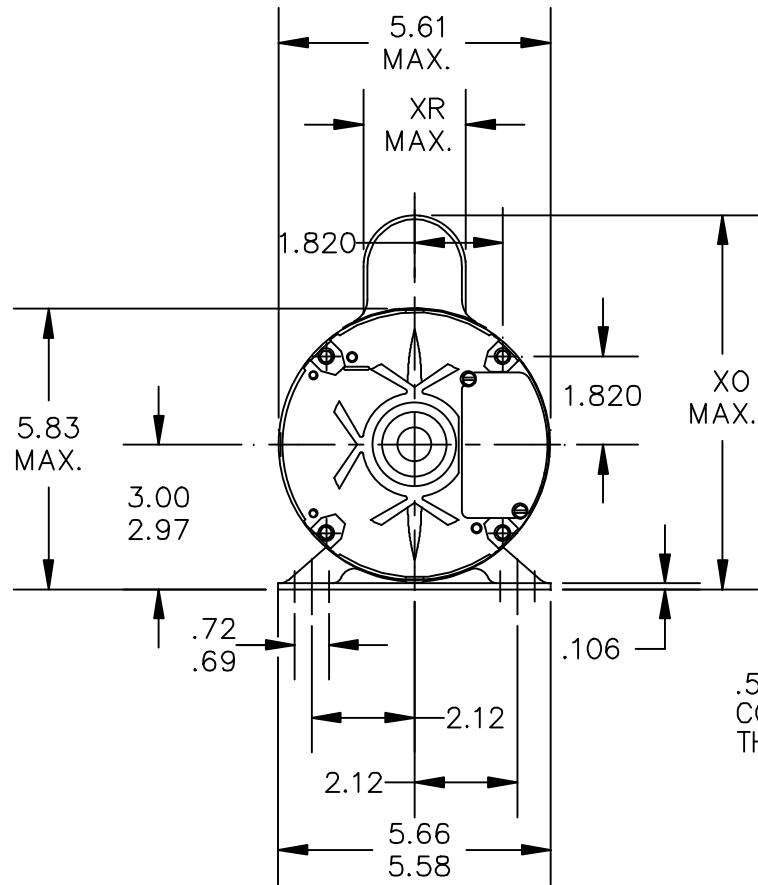
Technical Specifications

Electrical Type	Permanent Split Capacitor(PSC)	Starting Method	N/R
Poles	4	Rotation	Selective Counterclockwise
Mounting	Rigid base	Motor Orientation	Any
Drive End Bearing	BALL	Opp Drive End Bearing	BALL
Frame Material	Rolled Steel	Overall Length	10.32 in
Frame Length	5.79 in	Shaft Diameter	0.500 in
Shaft Extension	2.25 in	Thru-bolts Extension	0
Outline Drawing	52A109351P2	Connection Diagram	52A105383CD

This is an uncontrolled document once printed or downloaded and is subject to change without notice. Date Created: 06/29/2018

W* IS A CLEARNCE DUE TO VARIATION IN PARTS AND ASSEMBLY.

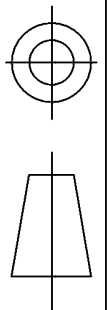
52A109351



3	KCP	35	48Z	10.32	4.22	2.25	2.38/2.16	1.16	2.98	2.70	2.22	7.93	.62
2	KCP	35	48Z	10.32	4.22	2.25	2.38/2.16	1.91	2.98	2.70	2.22	7.93	.50
1	KCP	35	48	9.57	4.22	1.50	1.63/1.41	1.16	2.98	2.70	2.22	7.93	.00
P	TYPE	RBC SIZE	NEMA FR	C	L	"N" MIN.	"N-W"	K	XH	XS	XR	XO	"ZA" MIN.

				TOLERANCES UNLESS SPECIFIED		REGAL-BELOIT CORPORATION		DRAWN MAM 10/11/93					
				DEC.	INCHES	REGAL-BELOIT CORPORATION		CHK					
6	RE DRAWN IN DRAFTSIGHT -NO CHANGES	UD 09/08/12	.X	±0.1	TITLE		OUTLINE		APPD MAM 10/11/93				
5	CHG TO RBC FORMAT PER ISO5-1777	SUD 3/13/06	.XX	±0.02	TENV -WELDED BASE FMF: 5KCP35KNA481		SCALE 1=1		REF				
4	ADDED PART #3.	M.D.P12/07/00	.XXX	±0.005	MAT'L.		PREV						
3	ADD DRAIN HOLES @3:00 (T195-21588)	M.A.M 1/20/95	.XXXX	±0.0005	FINISH		DRAWING NO.						
NO.	REVISION	BY & DATE	CHK	ANG	±1.0	CAD FILE	52A109351	SIZE	A	DRAWING NO.	52A109351	REV.	6
THIS DRAWING IN DESIGN AND DETAIL IS OUR PROPERTY AND MUST NOT BE USED EXCEPT IN CONNECTION WITH OUR WORK ALL RIGHTS OF DESIGN AND INVENTION ARE RESERVED THIS IS AN ELECTRONICALLY GENERATED DOCUMENT - DO NOT SCALE THIS PRINT				RFP									
				DIST									

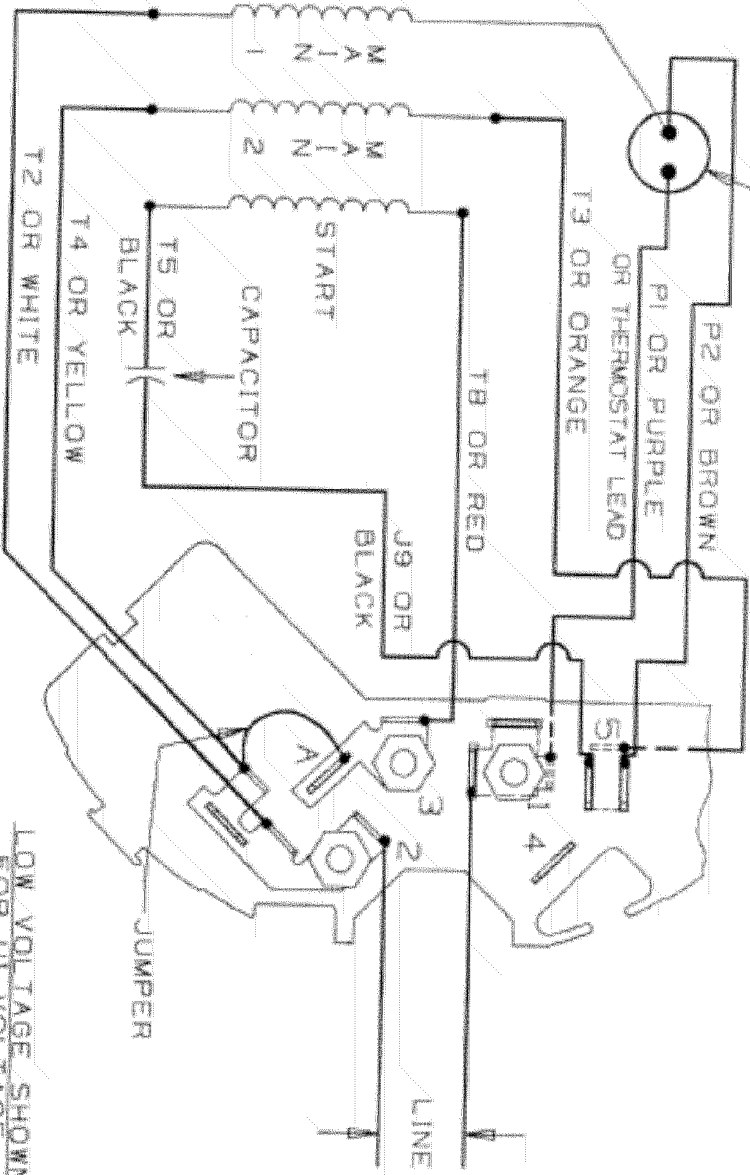
RBC PROPRIETARY AND CONFIDENTIAL INFORMATION
 This document is the property of REGAL-BELOIT CORPORATION ("RBC") including its subsidiaries and divisions and contains proprietary information of RBC. It is to be used only for the specific application and purpose for which it was prepared. RBC does not warrant, represent, or guarantee the accuracy, completeness, or reliability of the information contained herein, and the information shall be used by the recipient only for the purpose represented by RBC. This document shall be controlled by RBC and its information shall be restricted to the recipient under U.S. export control laws and regulations.



THIRD ANGLE PROJECTION

REVISIONS		DATE	APPROVED
REV. 1	DESCRIPTION	05/24/06	SHIRISH
1	FORMAT CHG TO RBC PER ISO5-1777		

NEITHER ROTATION DUAL VOLTAGE TYPE KCP WITH THERMOSTAT



LOW VOLTAGE SHOWN FOR HI VOLTAGE SEE NOTE #1

- NOTE #1 - FOR HI VOLTAGE REMOVE BROWN (P2) FROM TERMINAL #5 AND PLACE ON TERMINAL #4 REMOVE WHITE (T2) FROM TERMINAL #2 AND PLACE ON TERMINAL #5.
- NOTE #2 - TO REVERSE ROTATION/INTERCHANGE RED (T8) AND BLACK (T9) LEADS.
- NOTE #3 - WHEN MORE THAN ONE CAPACITOR IS USED CONNECT IN PARALLEL

REF. DIAG. - IHA391 TERM. BD. & PARTS - IISD958AT CONNECTION LABEL - 52X332956

FOR ADDITIONAL INFO REFER TO:	SIGNATURES	DATE
APPLIED PRACTICES	MODEL M.D.PAPE	03/02/89
DIMENSIONS ARE IN INCHES	DETAIL	
TOLERANCE ON:	CHECKED	
1 PL DECIMALS ± 0.1	ENGRG	
2 PL DECIMALS ± 0.01	MFG	
3 PL DECIMALS ± 0.005	QUALITY	
ANGLES ± 0.5	ISSUED	03/02/89
FRACTIONS ±	QUALITY	
FINISH	ISSUED	M.D.PAPE
	SOLID MODEL: MODEL NAME	

REGAL-BELOIT CORPORATION

REGAL CONNECTION DIAGRAM

First made for - 5KCP33KN18GT

SIZE A DRAWING 52A105383CD

SCALE: DRAWING SCALE

SHEET 1 of 1