

PRODUCT INFORMATION PACKET

marathon[®]
Motors

Model No: 5KC49TN0568Y
Catalog No: C660
1,1725,TEFC,56,1/60/115/230
Totally Enclosed Fan Cooled (TEFC)



Regal and Marathon are trademarks of Regal Beloit Corporation or one of its affiliated companies.
©2018 Regal Beloit Corporation, All Rights Reserved. MC017097E

REGAL[®]

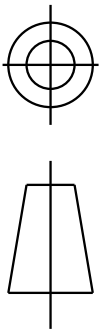
Nameplate Specifications

Output HP	1 Hp	Output KW	0.75 kW
Frequency	60 Hz	Voltage	115/230 V
Current	13.2,6.6 A	Speed	1725 rpm
Service Factor	1	Phase	1
Efficiency	72.2 %	Duty	Continuous
Insulation Class	B	KVA Code	K
Frame	56	Enclosure	Totally Enclosed Fan Cooled
Overload Protector	MAN	Ambient Temperature	40 °C
Drive End Bearing Size	6203	Opp Drive End Bearing Size	6203
UL	Recognized	CSA	Yes
CE	N		

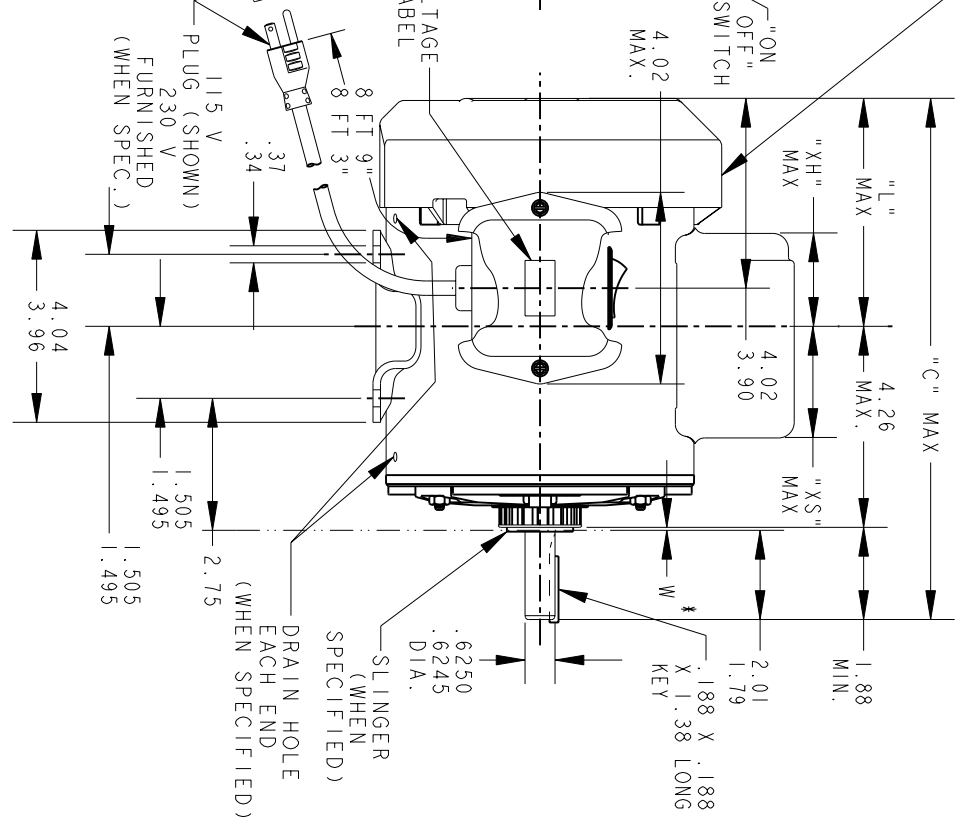
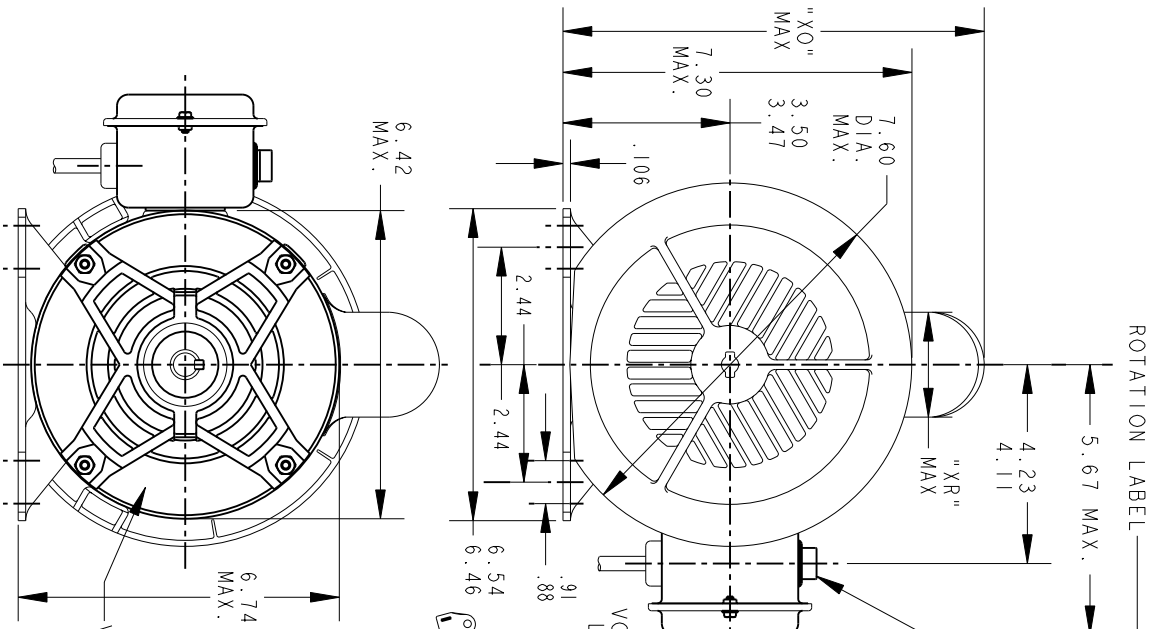
Technical Specifications

Electrical Type	Capacitor Start Induction Run	Starting Method	SM
Poles	4	Rotation	Counterclockwise/Clockwise
Mounting	Rigid Base	Motor Orientation	ANY
Drive End Bearing	BALL	Opp Drive End Bearing	BALL
Frame Material	Rolled Steel	Overall Length	12.96 in
Frame Length	7.68 in	Shaft Diameter	0.63 in
Shaft Extension	1.88 in		
Outline Drawing	52A110622P1	Connection Diagram	52A105383BB

This is an uncontrolled document once printed or downloaded and is subject to change without notice. Date Created: 10/08/2018



REV.	DESCRIPTION	DATE	APPROVED
5	ADD TOL. TO CORD IS02-02676.	05/02/02	M.D. PAPE
6	CHG TO RBC FORMAT PER IS05-11777	04/24/06	SUDHA



*W IS A VARIABLE CLEARANCE DUE TO VARIATIONS IN PARTS AND ASSEMBLY

ALL DIMENSIONS ARE IN INCHES

3	2	1	P
KC	KC	KC	TYPE
49	46	49	GE
56	56	56	SIZE
12.43	11.83	12.96	NEMA
6.28	5.68	6.81	"C"
3.51	2.91	3.58	"L"
8.22	8.94	8.94	"XH"
1.60	2.40	2.40	"XO"
2.24	2.84	2.17	"XR"
			"XS"
			MIN. SHELL

SIGNATURES		DATE
MODEL	M.D. PAPE	09/29/00
DETAIL		
CHECKED		
ENGRG		
MFG		
QUALITY		
ISSUED	M.D. PAPE	09/29/00
SOLID MODEL:	52A110622	



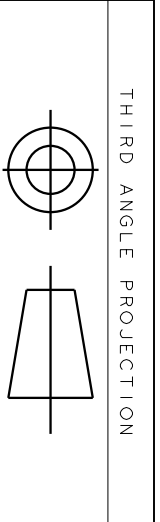
REGAL-BELOTT CORPORATION

OUTLINE

TITLE
GENERAL PURPOSE MOTOR - TEFC - BALL BEARING - WELDED BASE FMF - 40 FRAME REDESIGN

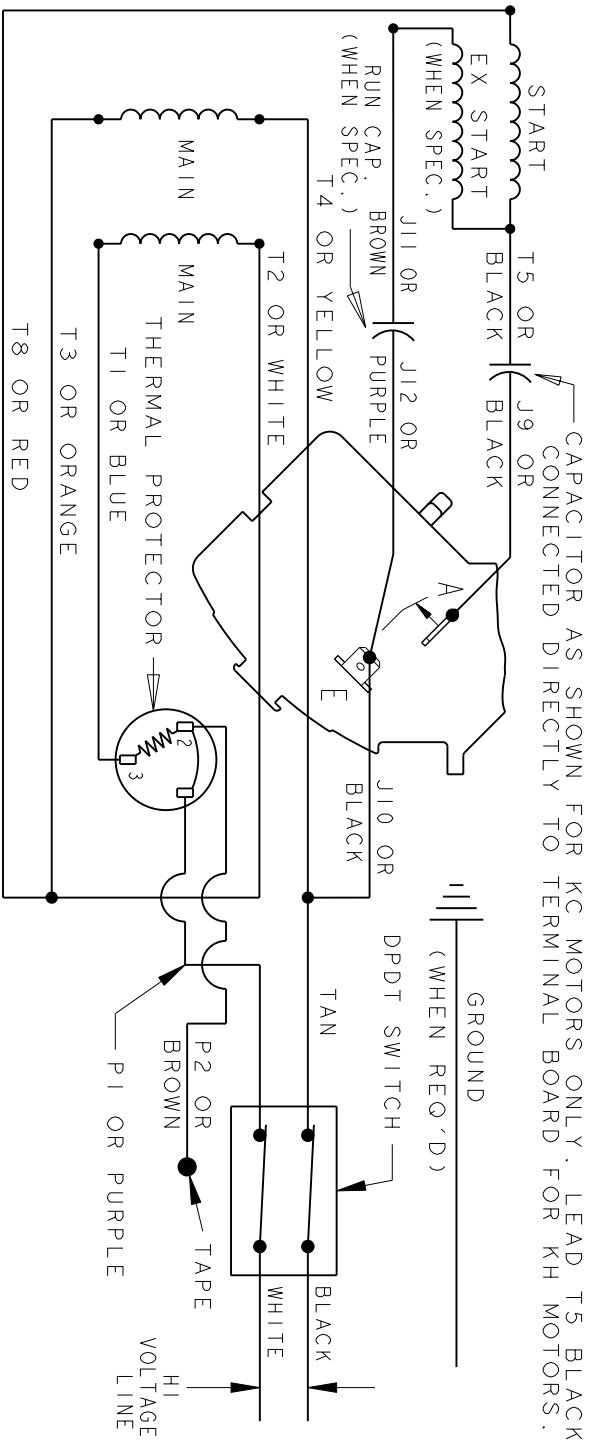
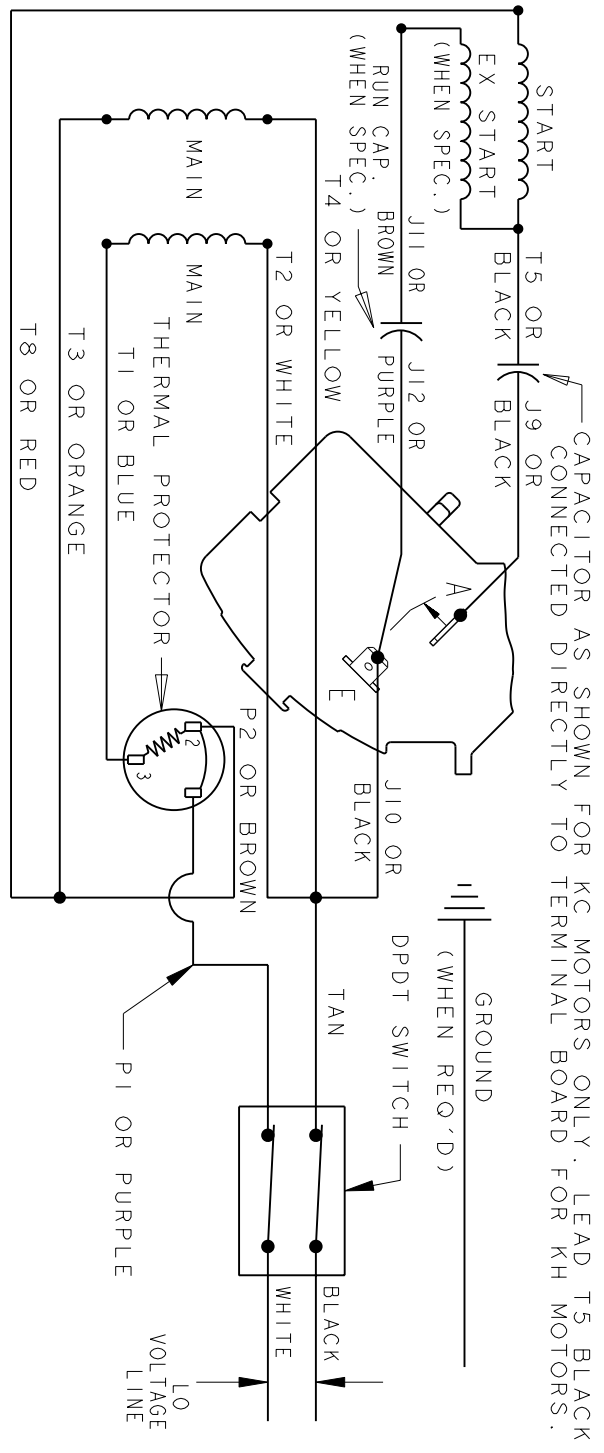
FOR ADDITIONAL INFO REFER TO:	
APPLIED PRACTICES	ISSUED
DIMENSIONS ARE IN INCHES	
MATERIAL	

SIZE	A	SCALE:	0.250	REF. No.:		SHEET	1 of 1
REV	6						



REV.	DESCRIPTION	DATE	APPROVED
7	UPDATED FORMAT	01/05/06	MAM

CCW/CW ROTATION - DUAL VOLTAGE
TYPE KC, KH, OR KCR - WITH THERMAL PROTECTOR



NOTE#1 - TO REVERSE ROTATION, INTERCHANGE T8 RED AND J10 BLACK LEADS.
NOTE#2 - WHEN MORE THAN ONE CAPACITOR IS USED, CONNECT IN PARALLEL.

SWITCH (H) - 115D958AA

CONNECTION LABEL - 52X332946

REF. DIAG. - 52A104929

SIGNATURES	DATE
MODEL M.D.P.	05/27/88
DETAIL	
CHECKED	
ENGRG	
MFG	
QUALITY	
ISSUED	M.D.P.
	09/18/92
FOR ADDITIONAL INFO REFER TO:	
APPLIED PRACTICES	
DIMENSIONS ARE IN INCHES	
MATERIAL	SOLID MODEL: 52A105383BB



REGAL-BELOMT CORPORATION

CONNECTION DIAGRAM

FME: 5KC36PM435GX

52A105383BB

SIZE	DRAWING	SCALE	REF. No.	SHEET
A		1.000		1 of 1