

PRODUCT INFORMATION PACKET

marathon[®]
Motors

Model No: 5KC49SN2418U
Catalog No: C662
1.5,3450,TEFC,56,1/60/115/230
Totally Enclosed Fan Cooled (TEFC)



Regal and Marathon are trademarks of Regal Beloit Corporation or one of its affiliated companies.

©2018 Regal Beloit Corporation, All Rights Reserved. MC017097E

REGAL[®]



Nameplate Specifications

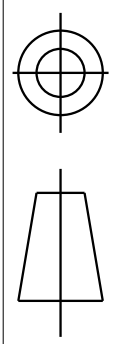
Output HP	1.50 Hp	Output KW	1.1 kW
Frequency	60 Hz	Voltage	115/230 V
Current	16.4,8.2 A	Speed	3450 rpm
Service Factor	1	Phase	1
Efficiency	73 %	Duty	Continuous
Insulation Class	B	Design Code	J
KVA Code	H	Frame	56
Enclosure	Totally Enclosed Fan Cooled	Overload Protector	MAN
Ambient Temperature	40 °C	Drive End Bearing Size	6203
Opp Drive End Bearing Size	6203	UL	Recognized
CSA	Yes	CE	N

Technical Specifications

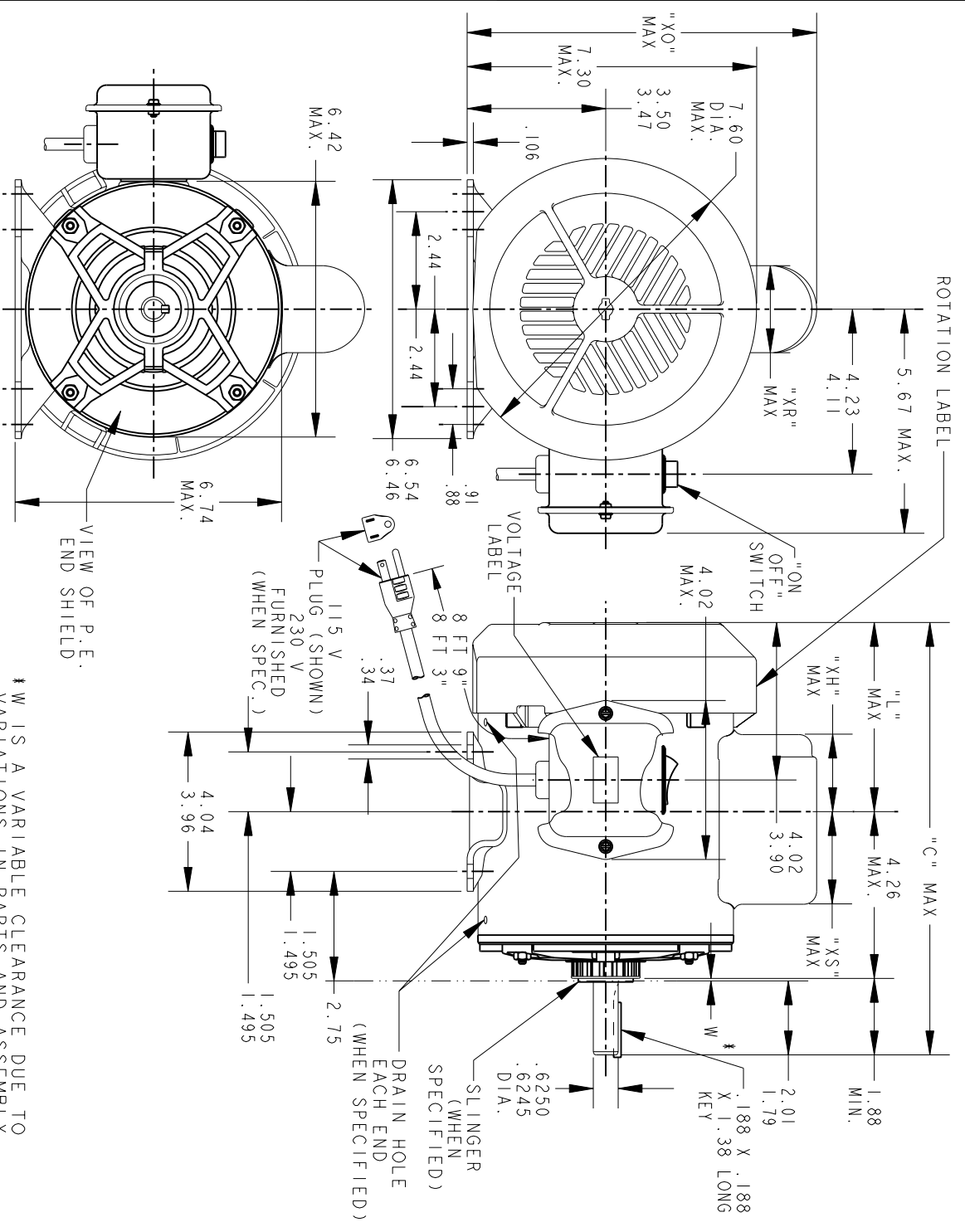
Electrical Type	Capacitor start(CSIR)	Starting Method	SM
Poles	2	Rotation	Selective Counterclockwise
Mounting	Rigid base	Motor Orientation	Any
Drive End Bearing	BALL	Opp Drive End Bearing	BALL
Frame Material	Rolled Steel	Overall Length	12.96 in
Frame Length	7.68 in	Shaft Diameter	0.630 in
Shaft Extension	1.88 in		
Outline Drawing	52A110622P1	Connection Diagram	52A105383BB

This is an uncontrolled document once printed or downloaded and is subject to change without notice. Date Created: 06/29/2018

THIRD ANGLE PROJECTION



REVISIONS		DESCRIPTION	DATE	APPROVED
5	ADD TOL.	TO CORD ISO2-02676.	05/02/02	M.D. PAPE
6	CHG TO RBC	FORMAT PER ISO5-11777	04/24/06	SUDHA



ALL DIMENSIONS ARE IN INCHES

* W IS A VARIABLE CLEARANCE DUE TO VARIATIONS IN PARTS AND ASSEMBLY

P	TYPE	GE	NEMA	"C"	"L"	"XH"	"XO"	"XR"	"XS"	MIN. SHELL
3	KC	49	56	12.43	6.28	3.51	8.22	1.60	2.24	7.15
2	KC	46	56	11.83	5.68	2.91	8.94	2.40	2.84	6.55
1	KC	49	56	12.96	6.81	3.58	8.94	2.40	2.17	7.68

SIGNATURES		DATE
MODEL	M.D. PAPE	09/29/00
DETAIL		
CHECKED		
ENGRG		
MFG		
QUALITY		
ISSUED	M.D. PAPE	09/29/00



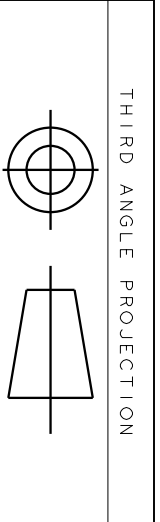
REGAL-BELOTT CORPORATION

OUTLINE

GENERAL PURPOSE MOTOR - TEFC - BALL BEARING - WELDED BASE FMF - 40 FRAME REDESIGN

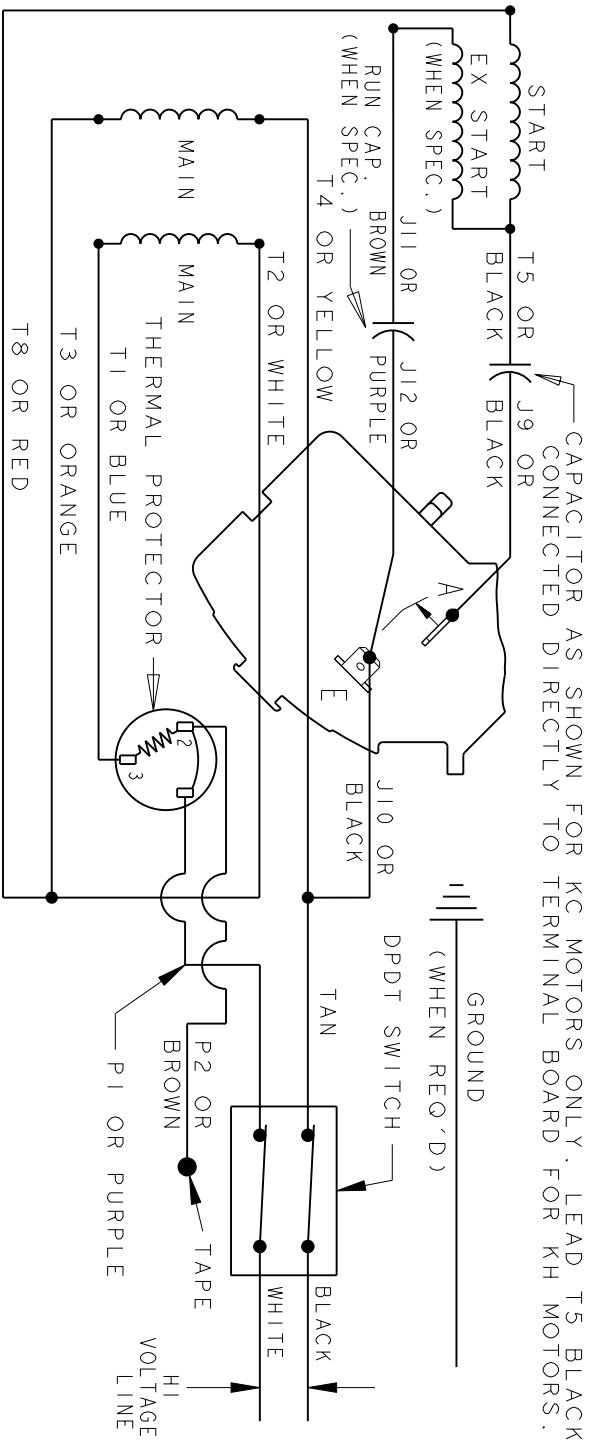
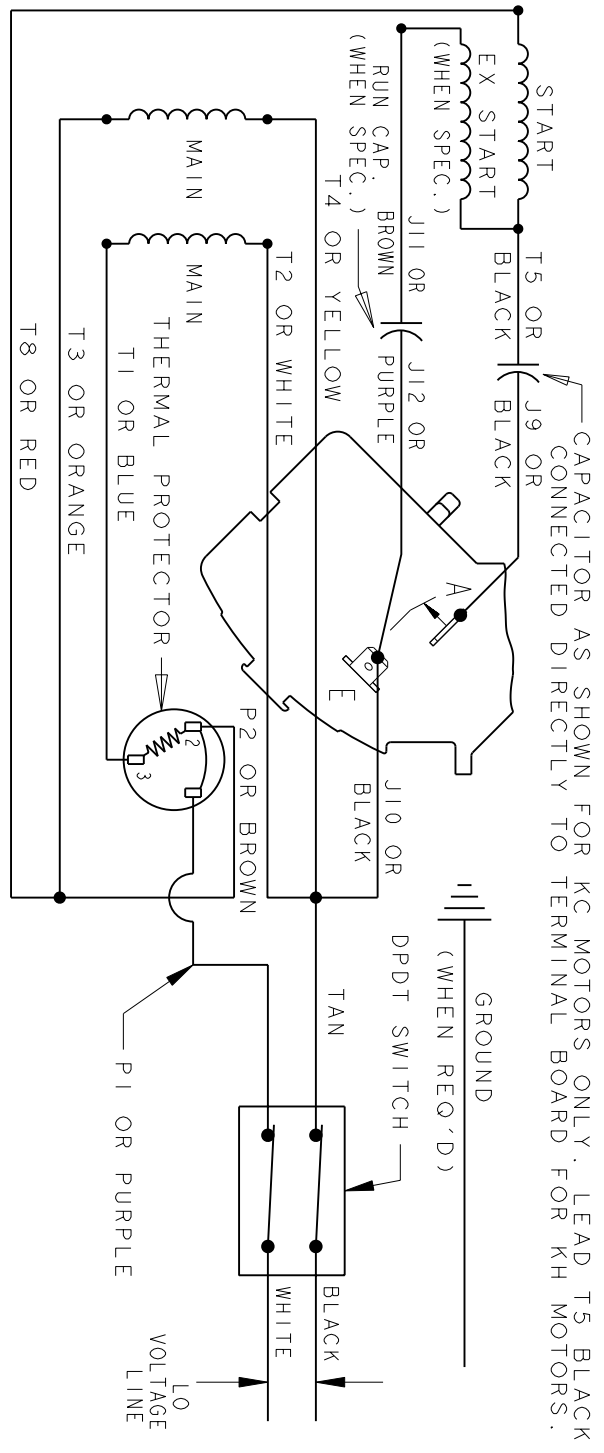
FOR ADDITIONAL INFO REFER TO:	
APPLIED PRACTICES	ISSUED
DIMENSIONS ARE IN INCHES	M.D. PAPE
	09/29/00
MATERIAL	SOLID MODEL: 52A110622

TITLE	SCALE: 0.250	REF. No.:	SHEET 1 of 1
SIZE	A	REV	6



REVISIONS		DATE	APPROVED
REV.	DESCRIPTION		
7	UPDATED FORMAT	01/05/06	MAM

CCW/CW ROTATION - DUAL VOLTAGE
TYPE KC, KH, OR KCR - WITH THERMAL PROTECTOR



NOTE#1 - TO REVERSE ROTATION, INTERCHANGE T8 RED AND J10 BLACK LEADS.
NOTE#2 - WHEN MORE THAN ONE CAPACITOR IS USED, CONNECT IN PARALLEL.

SWITCH (H) - 115D958AA

REF. DIAG. - 52A104929 CONNECTION LABEL - 52X332946

SIGNATURES	DATE
MODEL M.D.P.	05/27/88
DETAIL	
CHECKED	
ENGRG	
MFG	
QUALITY	
ISSUED	M.D.P.
	09/18/92
APPLIED PRACTICES	
DIMENSIONS ARE IN INCHES	
MATERIAL	SOLID MODEL: 52A105383BB



REGAL-BELOIT CORPORATION

CONNECTION DIAGRAM

FME: 5KC36PM435GX

52A105383BB

SIZE	DRAWING	REV
A		7
SCALE: 1.000	REF. No.:	SHEET 1 of 1