

# PRODUCT INFORMATION PACKET

**marathon**<sup>®</sup>  
Motors

Model No: 5KC46JN0076U  
Catalog No: C1292  
5KC46JN0076U 1/2,1725/1425,TEFC,56NY,1/60/115/208-230  
Auger Drive



Regal and Marathon are trademarks of Regal Beloit Corporation or one of its affiliated companies.  
©2018 Regal Beloit Corporation, All Rights Reserved. MC017097E

**REGAL**<sup>®</sup>

**Product Information Packet: Model No: 5KC46JN0076U, Catalog No:C1292 5KC46JN0076U  
1/2,1725/1425,TEFC,56NY,1/60/115/208-230**

**Nameplate Specifications**

Output HP	<b>1/2 Hp</b>	Output KW	<b>0.37 kW</b>
Frequency	<b>60 Hz</b>	Voltage	<b>115/208-230 V</b>
Current	<b>8.4,4.0-4.2 A</b>	Speed	<b>1725/1425 rpm</b>
Service Factor	<b>1.25</b>	Phase	<b>1</b>
Efficiency	<b>63.2 %</b>	Duty	<b>Continuous</b>
Insulation Class	<b>B</b>	KVA Code	<b>M</b>
Frame	<b>56NY</b>	Enclosure	<b>Totally Enclosed Fan Cooled</b>
Overload Protector	<b>MAN</b>	Ambient Temperature	<b>40 °C</b>
Drive End Bearing Size	<b>6203</b>	Opp Drive End Bearing Size	<b>6203</b>
UL	<b>Recognized</b>	CSA	<b>Yes</b>
CE	<b>N</b>		

**Technical Specifications**

Electrical Type	<b>Capacitor Start Induction Run</b>	Starting Method	<b>SM</b>
Poles	<b>4</b>	Rotation	<b>Counterclockwise/Clockwise</b>
Mounting	<b>Round</b>	Motor Orientation	<b>ANY</b>
Drive End Bearing	<b>BALL</b>	Opp Drive End Bearing	<b>BALL</b>
Frame Material	<b>Rolled Steel</b>	Overall Length	<b>12 in</b>
Frame Length	<b>6.55 in</b>	Shaft Diameter	<b>0.5 in</b>
Shaft Extension	<b>1.81 in</b>		
Outline Drawing	<b>52A107766P1</b>	Connection Diagram	<b>52A105383BA</b>

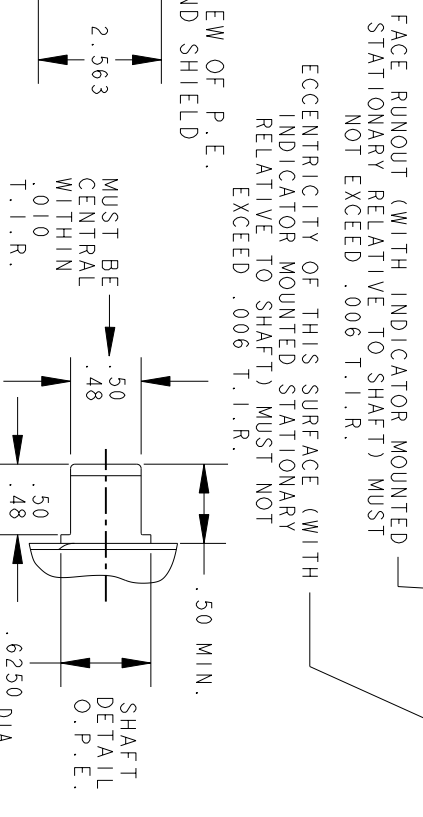
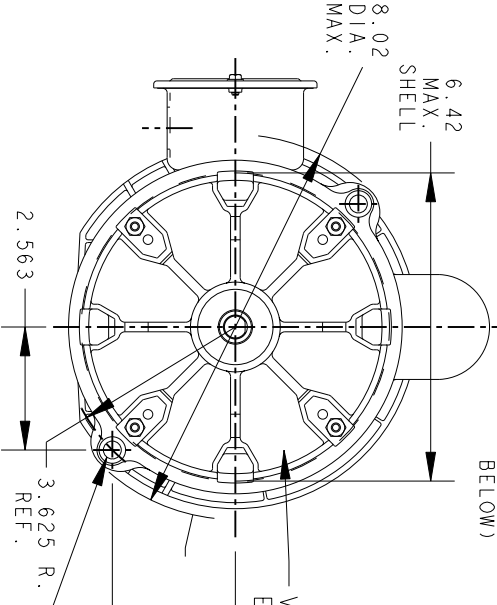
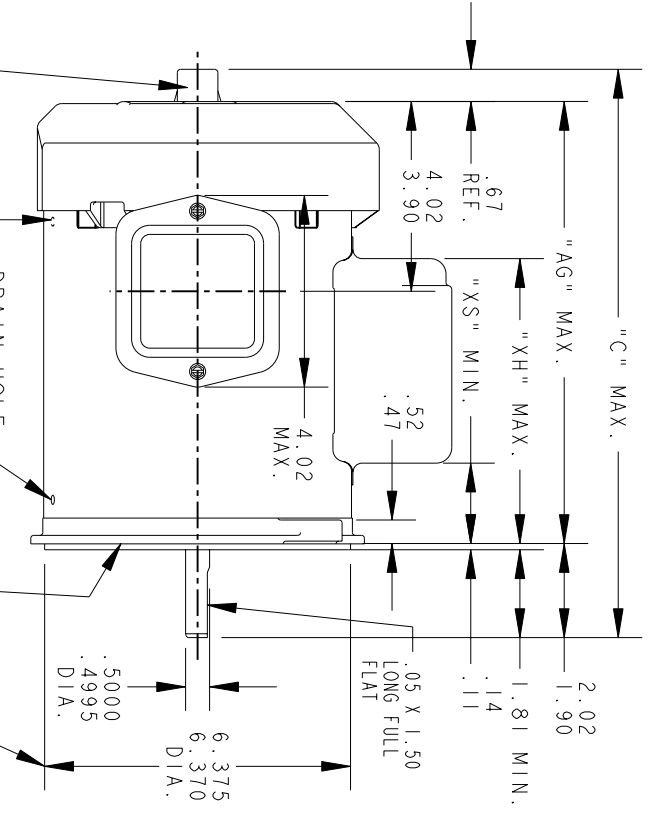
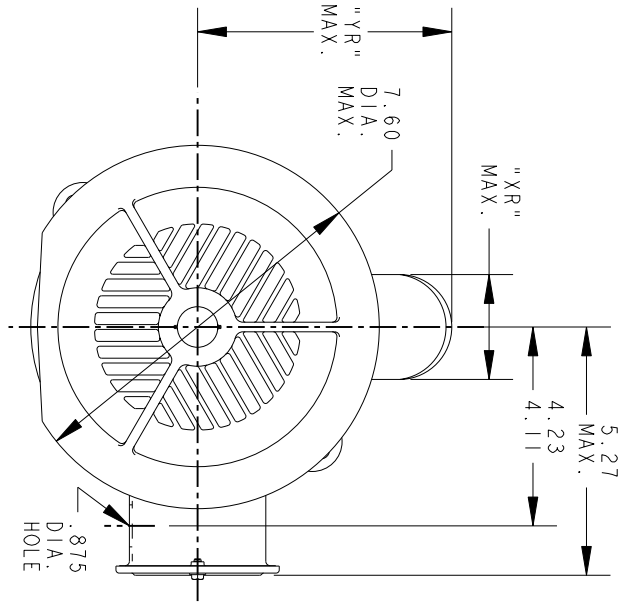
**This is an uncontrolled document once printed or downloaded and is subject to change without notice. Date Created: 10/08/2018**

THIRD ANGLE PROJECTION



REVISIONS

REV.	DESCRIPTION	DATE	APPROVED
5	CHG TO RBC FORMAT PER IS05-1777	03/02/06	SUDHA



ALL DIMENSIONS ARE IN INCHES

P	TYPE	GE	NEMA	"C"	"AG"	"XH"	"YR"	"XR"	"XS"	MIN. SHELL
3	KC	49	56NY	13.13	10.42	7.21	5.44	2.40	1.46	7.68
2	KC	46	56NY	12.00	9.29	6.08	4.72	1.60	1.54	6.55
1	KC	46	56NY	12.00	9.29	6.08	5.34	2.22	1.54	6.55
P	TYPE	GE <td>NEMA <td>"C" <td>"AG" <td>"XH" <td>"YR" <td>"XR" <td>"XS" <td>MIN. SHELL</td> </td></td></td></td></td></td></td>	NEMA <td>"C" <td>"AG" <td>"XH" <td>"YR" <td>"XR" <td>"XS" <td>MIN. SHELL</td> </td></td></td></td></td></td>	"C" <td>"AG" <td>"XH" <td>"YR" <td>"XR" <td>"XS" <td>MIN. SHELL</td> </td></td></td></td></td>	"AG" <td>"XH" <td>"YR" <td>"XR" <td>"XS" <td>MIN. SHELL</td> </td></td></td></td>	"XH" <td>"YR" <td>"XR" <td>"XS" <td>MIN. SHELL</td> </td></td></td>	"YR" <td>"XR" <td>"XS" <td>MIN. SHELL</td> </td></td>	"XR" <td>"XS" <td>MIN. SHELL</td> </td>	"XS" <td>MIN. SHELL</td>	MIN. SHELL



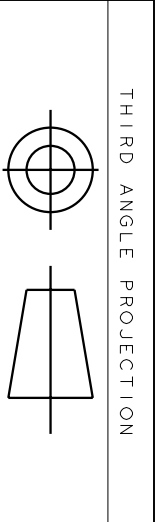
REGAL-BELOIT CORPORATION

TITLE: SPECIAL PURPOSE MOTOR TEFC - BALL BEARING 2 LUG FLANGE FMF - 5KC46JN0076U

FOR ADDITIONAL INFO REFER TO:	
APPLIED PRACTICES	QUALITY
DIMENSIONS ARE IN INCHES	ISSUED
MATERIAL	SOLID MODEL: 52A107766

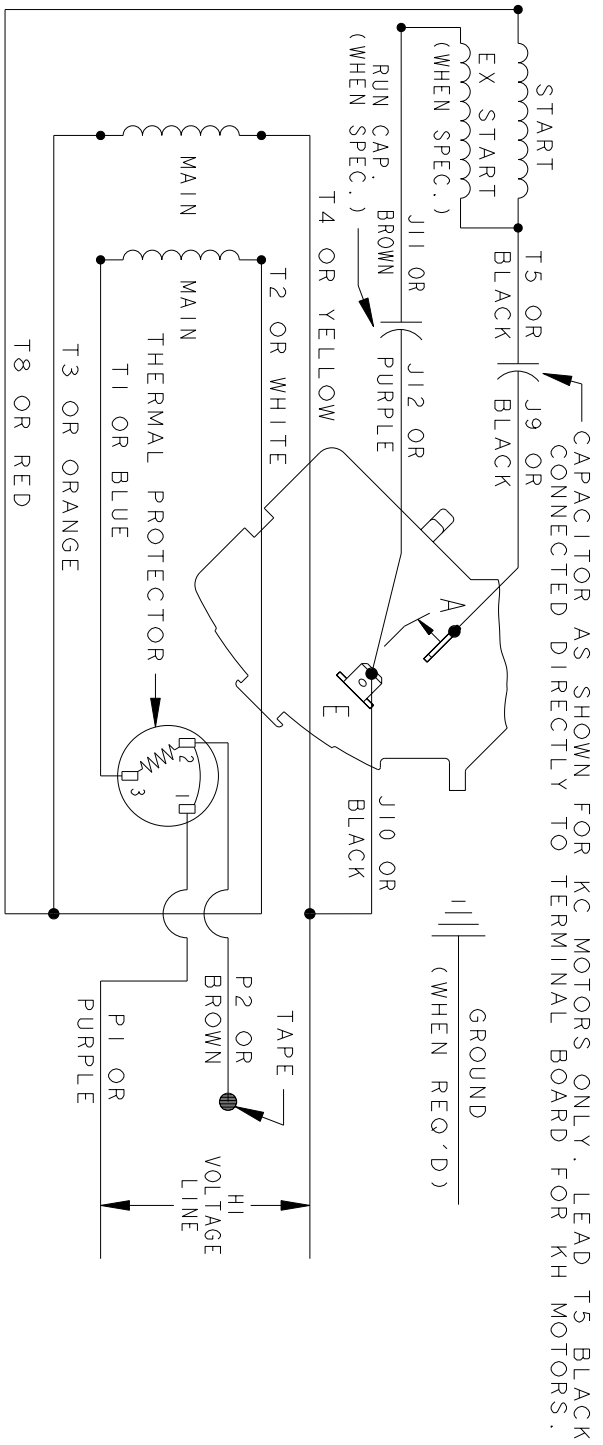
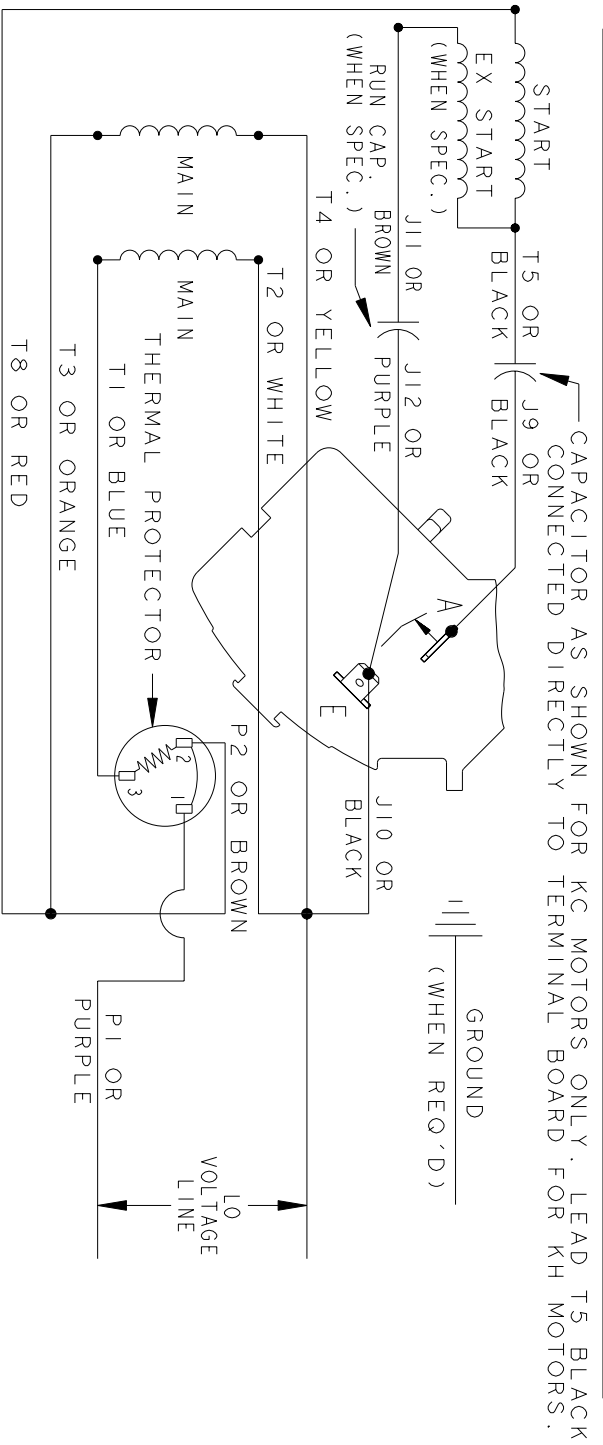
SIGNATURES		DATE	
MODEL	M.D. PAPE	11/20/91	
DETAIL			
CHECKED			
ENGRG			
MFG			
QUALITY			
ISSUED	M.D. PAPE	03/16/98	
SOLID MODEL:	52A107766		

SCALE: 0.250 REF. No.:  
 SIZE: DRAWING A  
 SHEET 1 of 1



REV.	DESCRIPTION	DATE	APPROVED
7	UPDATED FORMAT	01/05/06	MAM

CCW/CW ROTATION - DUAL VOLTAGE  
TYPE KC, KH OR KCR - WITH THERMAL PROTECTOR



NOTE#1 - TO REVERSE ROTATION, INTERCHANGE T8 RED AND J10 BLACK LEADS.  
NOTE#2 - WHEN MORE THAN ONE CAPACITOR IS USED, CONNECT IN PARALLEL.  
NOTE#3 - 115D958ABP5 - HIGH CURRENT CONTACTS.

SWITCH (C) - 115D958ABP5, SWITCH (H) - 115D958AA (USE 115D958DA FOR EP)

REF. DIAG. - 113A327, 119A9352 & 52A102102 CONNECTION LABEL - 52X332912

SIGNATURES	DATE
MODEL M.D.P.	06/29/87
DETAIL	.
CHECKED	.
ENGRG	.
MFG	.
QUALITY	.
ISSUED	M.D.P. 12/11/97
APPLIED PRACTICES	✓
DIMENSIONS ARE IN INCHES	
MATERIAL	SOLID MODEL: 52A105383BA



REGAL-BELOTT CORPORATION

CONNECTION DIAGRAM

FME: 30 FRAME SWITCH REDESIGN

52A105383BA

SIZE	DRAWING	SCALE	REF. No.	SHEET
A		1.000		1 of 1