

# PRODUCT INFORMATION PACKET

**marathon**<sup>®</sup>  
Motors

Model No: 5KC46GN0569Y  
Catalog No: C661  
1/2, 1725, TEFC, 56, 1/60/115/208-230  
Totally Enclosed Fan Cooled (TEFC)



Regal and Marathon are trademarks of Regal Beloit Corporation or one of its affiliated companies.  
©2018 Regal Beloit Corporation, All Rights Reserved. MC017097E

**REGAL**<sup>®</sup>

**Product Information Packet: Model No: 5KC46GN0569Y, Catalog No:C661 1/2,1725,TEFC,56,1/60/115/208-230**

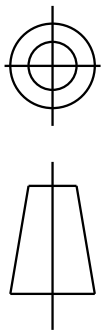
**Nameplate Specifications**

Output HP	<b>1/2 Hp</b>	Output KW	<b>0.37 kW</b>
Frequency	<b>60 Hz</b>	Voltage	<b>115/208-230 V</b>
Current	<b>9.0,4.5-4.5 A</b>	Speed	<b>1725 rpm</b>
Service Factor	<b>1.15</b>	Phase	<b>1</b>
Efficiency	<b>61 %</b>	Duty	<b>Continuous</b>
Insulation Class	<b>B</b>	KVA Code	<b>N</b>
Frame	<b>56</b>	Enclosure	<b>Totally Enclosed Fan Cooled</b>
Overload Protector	<b>MAN</b>	Ambient Temperature	<b>40 °C</b>
Drive End Bearing Size	<b>6203</b>	Opp Drive End Bearing Size	<b>6203</b>
UL	<b>Recognized</b>	CSA	<b>Yes</b>
CE	<b>N</b>		

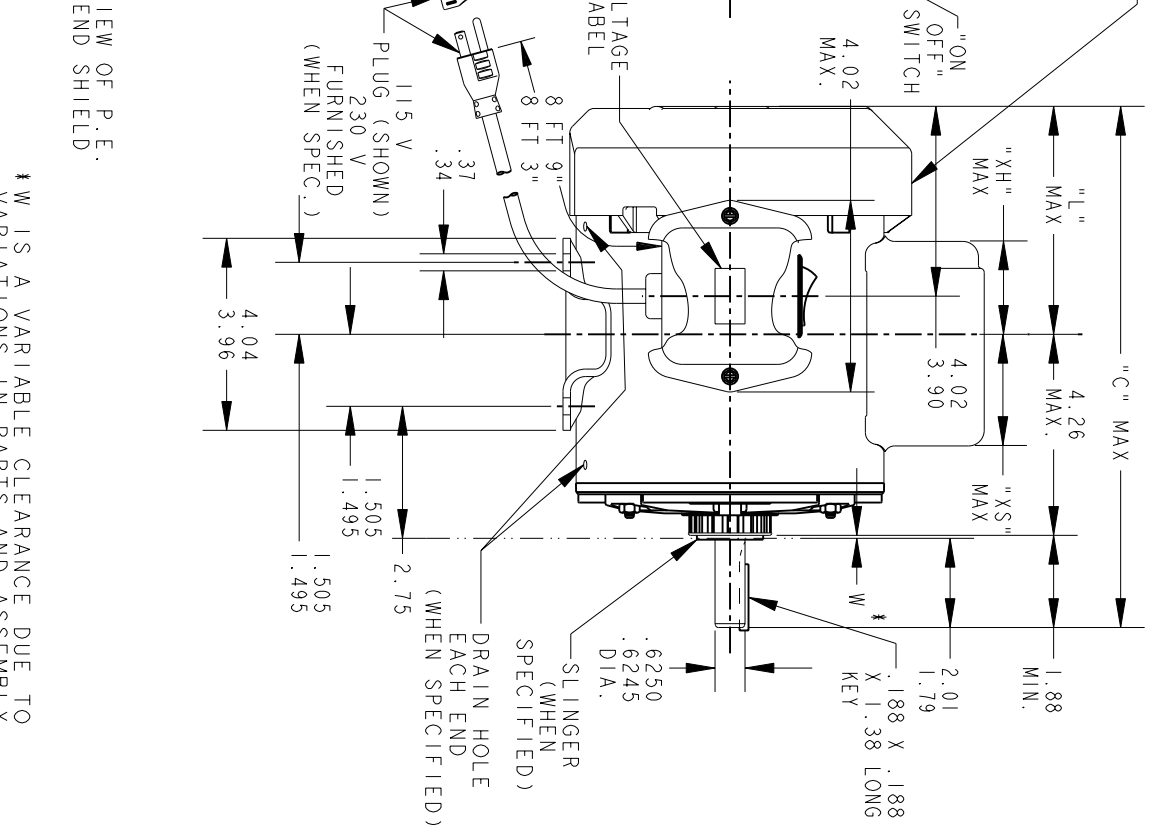
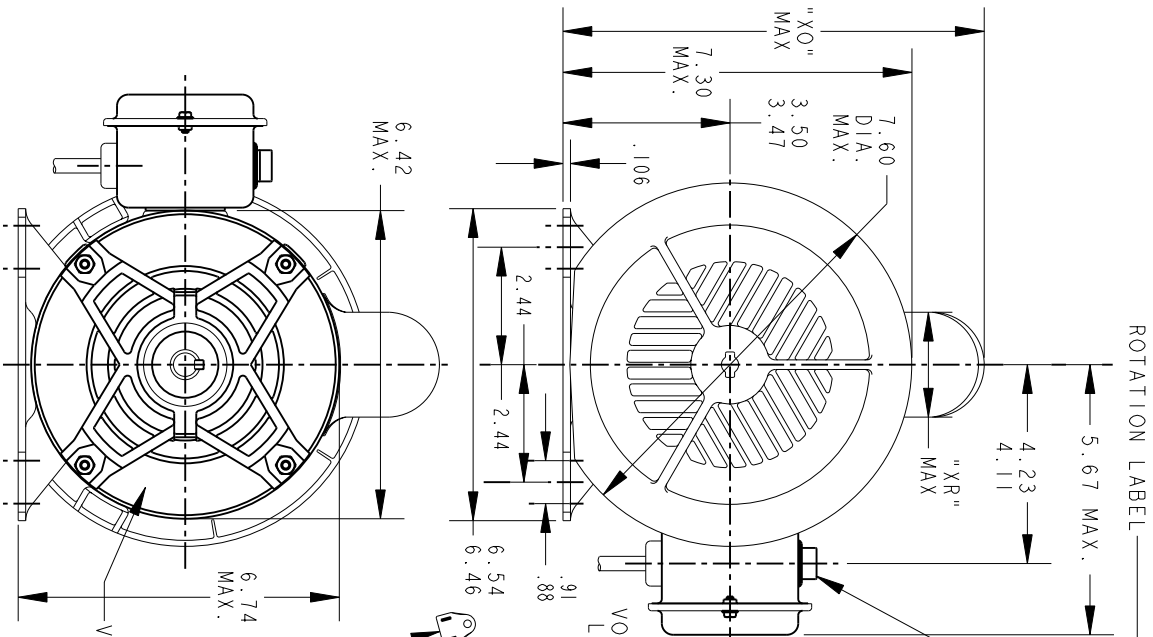
**Technical Specifications**

Electrical Type	<b>Capacitor Start Induction Run</b>	Starting Method	<b>SM</b>
Poles	<b>4</b>	Rotation	<b>Counterclockwise/Clockwise</b>
Mounting	<b>Rigid Base</b>	Motor Orientation	<b>ANY</b>
Drive End Bearing	<b>BALL</b>	Opp Drive End Bearing	<b>BALL</b>
Frame Material	<b>Rolled Steel</b>	Overall Length	<b>11.83 in</b>
Frame Length	<b>6.55 in</b>	Shaft Diameter	<b>0.63 in</b>
Shaft Extension	<b>1.88 in</b>		
Outline Drawing	<b>52A110622P2</b>	Connection Diagram	<b>52A105383BB</b>

**This is an uncontrolled document once printed or downloaded and is subject to change without notice. Date Created: 10/08/2018**



REV.	DESCRIPTION	DATE	APPROVED
5	ADD TOL. TO CORD ISO2-02676.	05/02/02	M.D. PAPE
6	CHG TO RBC FORMAT PER ISO5-1777	04/24/06	SUDHA



ALL DIMENSIONS ARE IN INCHES  
 \*W IS A VARIABLE CLEARANCE DUE TO VARIATIONS IN PARTS AND ASSEMBLY

P	TYPE	GE	NEMA	"C"	"L"	"XH"	"XO"	"XR"	"XS"	MIN. SHELL
3	KC	49	56	12.43	6.28	3.51	8.22	1.60	2.24	7.15
2	KC	46	56	11.83	5.68	2.91	8.94	2.40	2.84	6.55
1	KC	49	56	12.96	6.81	3.58	8.94	2.40	2.17	7.68

SIGNATURES	DATE	SIGNATURES	DATE
M.D. PAPE	09/29/00	"XH"	"XS"

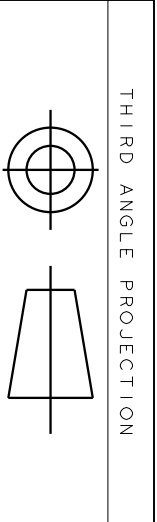
FOR ADDITIONAL INFO REFER TO:	MFG	ENGNG	CHECKED	DETAIL	MODEL	M.D. PAPE	DATE	09/29/00
APPLIED PRACTICES	QUALITY	ISSUED	M.D. PAPE	09/29/00				
DIMENSIONS ARE IN INCHES								
MATERIAL	SOLID MODEL: 52A110622							



**REGAL-BELOTT CORPORATION**

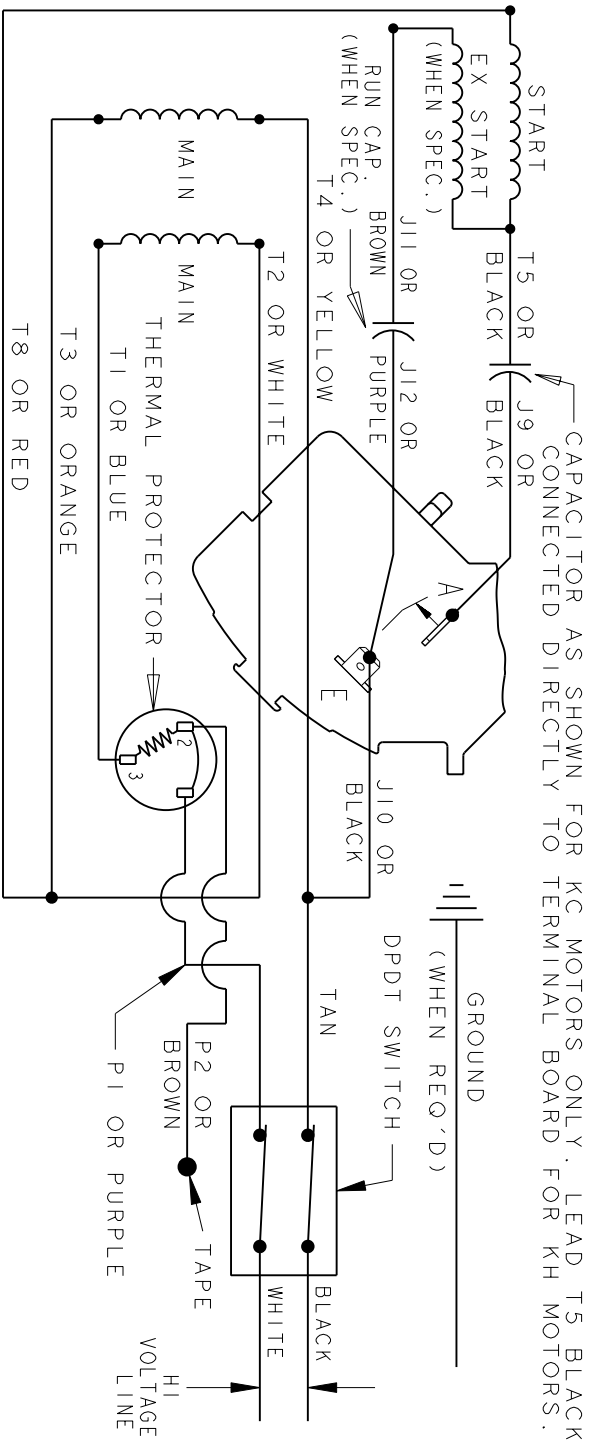
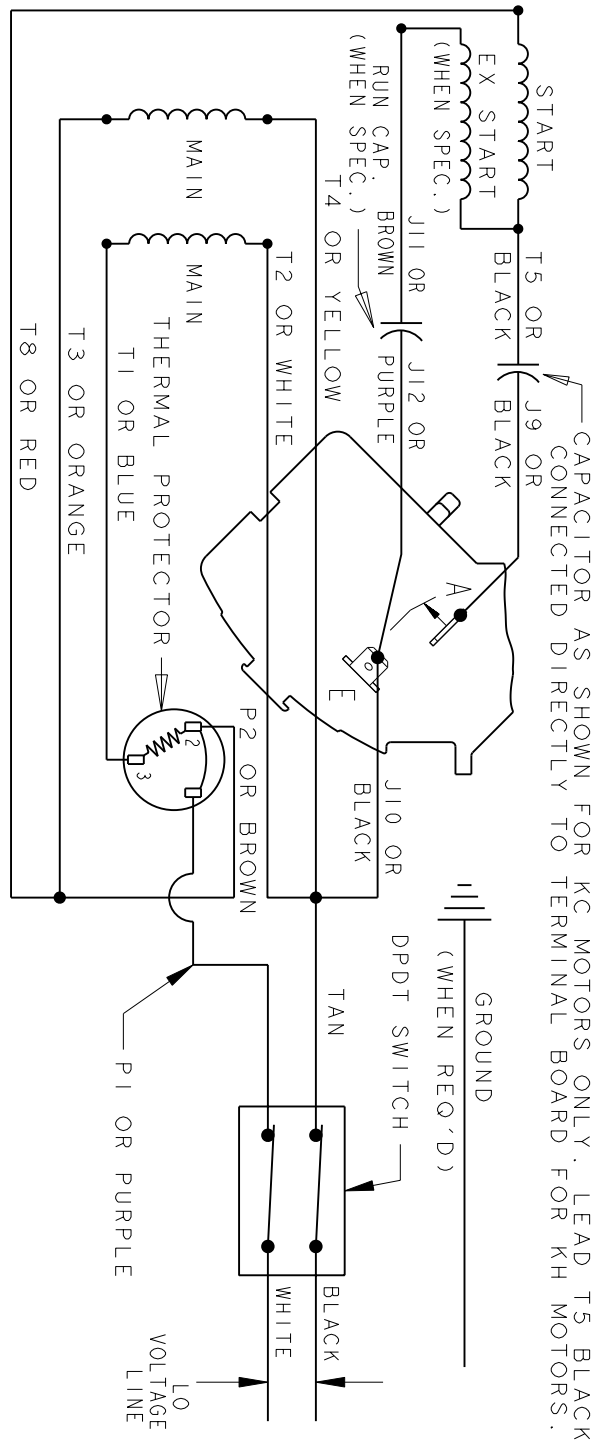
**OUTLINE**  
**GENERAL PURPOSE MOTOR - TEFC - BALL BEARING - WELDED BASE FMF - 40 FRAME REDESIGN**

SCALE: 0.250 REF. NO. . . . . SHEET 1 of 1



REVISIONS		DATE	APPROVED
REV.	DESCRIPTION		
7	UPDATED FORMAT	01/05/06	MAM

CCW/CW ROTATION - DUAL VOLTAGE  
TYPE KC, KH, OR KCR - WITH THERMAL PROTECTOR



NOTE#1 - TO REVERSE ROTATION, INTERCHANGE T8 RED AND J10 BLACK LEADS.  
NOTE#2 - WHEN MORE THAN ONE CAPACITOR IS USED, CONNECT IN PARALLEL.

SWITCH (H) - 115D958AA

REF. DIAG. - 52A104929 CONNECTION LABEL - 52X332946

SIGNATURES		DATE
MODEL	M.D.P.	05/27/88
DETAIL		
CHECKED		
ENGRG		
MFG		
QUALITY	M.D.P.	09/18/92
ISSUED		
FOR ADDITIONAL INFO REFER TO:		
APPLIED PRACTICES		
DIMENSIONS ARE IN INCHES		
MATERIAL	SOLID MODEL: 52A105383BB	

**REGAL-BELOIT CORPORATION**

**CONNECTION DIAGRAM**

SIZE: DRAWING A  
SCALE: 1.000 REF. No.: .

FME: 5KC36PM435GX  
52A105383BB

REV 7 SHEET 1 of 1