

# PRODUCT INFORMATION PACKET

**marathon**<sup>®</sup>  
Motors

Model No: 5KC39PN6201X  
Catalog No: C1463A  
3/4,3600,DP,1/60115/230  
Jet Pump



Regal and Marathon are trademarks of Regal Beloit Corporation or one of its affiliated companies.  
©2018 Regal Beloit Corporation, All Rights Reserved. MC017097E

**REGAL**<sup>®</sup>



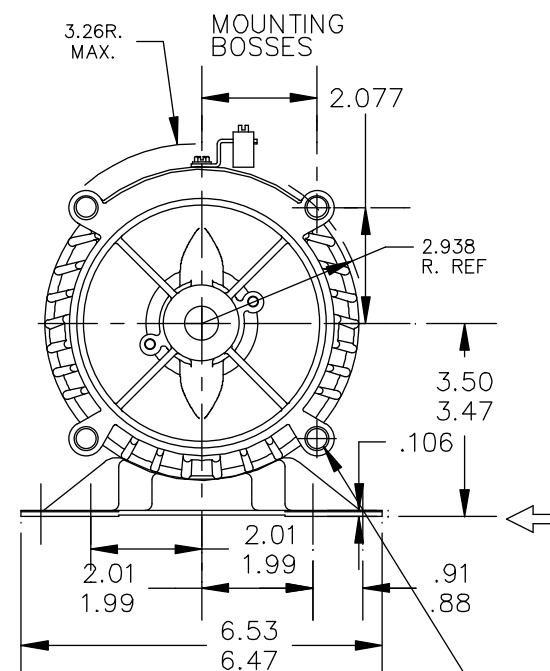
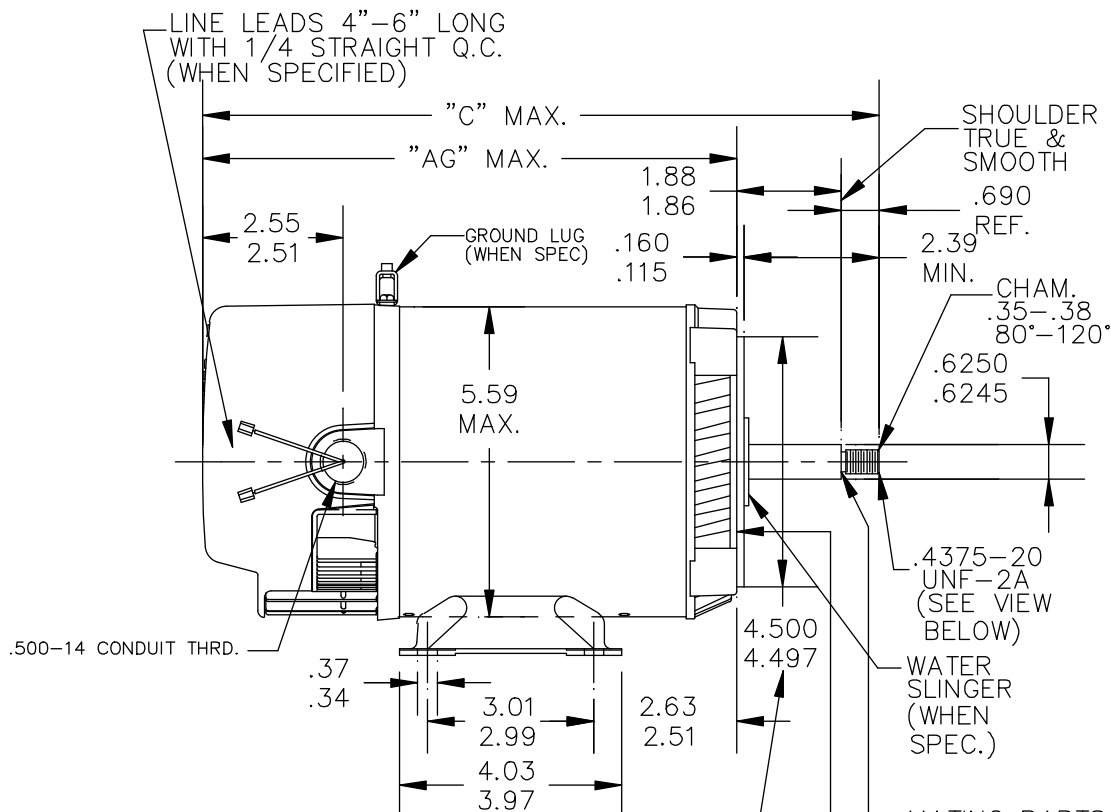
### Nameplate Specifications

Output HP	<b>0.75 Hp</b>	Output KW	<b>0.56 kW</b>
Frequency	<b>60 Hz</b>	Voltage	<b>115/230 V</b>
Current	<b>13.0,6.5 A</b>	Speed	<b>3450 rpm</b>
Service Factor	<b>1.5</b>	Phase	<b>1</b>
Efficiency	<b>69.5 %</b>	Duty	<b>Continuous</b>
Insulation Class	<b>B</b>	KVA Code	<b>N</b>
Frame	<b>56J</b>	Enclosure	<b>Drip Proof</b>
Overload Protector	<b>AUTO</b>	Ambient Temperature	<b>50 °C</b>
Drive End Bearing Size	<b>6203</b>	Opp Drive End Bearing Size	<b>6203</b>
UL	<b>None</b>	CE	<b>N</b>
IP Code	<b>22</b>		

### Technical Specifications

Starting Method	<b>SM</b>	Poles	<b>2</b>
Rotation	<b>Clockwise</b>	Mounting	<b>Rigid</b>
Motor Orientation	<b>ANY</b>	Drive End Bearing	<b>LOCKED</b>
Opp Drive End Bearing	<b>BALL</b>	Frame Material	<b>Rolled Steel</b>
Overall Length	<b>12.52 in</b>	Frame Length	<b>6.87 in</b>
Shaft Diameter	<b>0.63 in</b>	Shaft Extension	<b>2.57 in</b>
Outline Drawing	<b>52A109357P2</b>	Connection Diagram	<b>52A106889</b>

This is an uncontrolled document once printed or downloaded and is subject to change without notice. Date Created: 10/30/2018

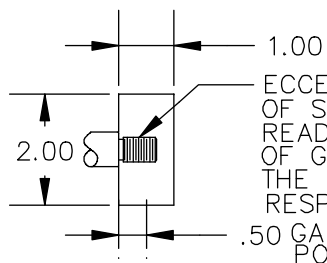


ECCENTRICITY OF THIS SURFACE (WITH INDICATOR MOUNTED STATIONARY RELATIVE TO SHAFT) MUST NOT EXCEED .004 T.I.R.

FACE RUNOUT (WITH INDICATOR MOUNTED STATIONARY RELATIVE TO SHAFT) MUST NOT EXCEED .004 T.I.R.

MATING PARTS SHOULD BE RELIEVED ONE THREAD TO CLEAR FILLET

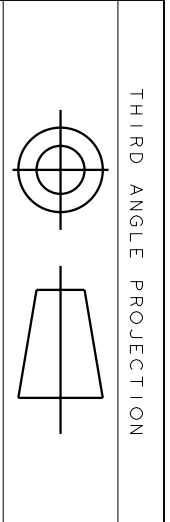
.375-16 UNC-2B (4 HOLES) .82 MIN. FULL THD. THESE HOLES FIT A GAGE HAVING A RABBIT 4.5005 DIA. & 4 PINS .2917 DIA. LOCATED ON THE BASIC HOLE POSITIONS.



3	KC	39	56J	13.98	11.35		6.87
2	KC	33	56J	12.52	9.89		5.41
1	KC,KH	39	56J	11.54	8.91		4.43
P	TYPE	RBC SIZE	NEMA FR	C	AG		SHELL REF.

				TOLERANCES UNLESS SPECIFIED		DRAWN M M 11/08/93			
				DEC.	INCHES	CHK			
				.X	±0.1	APPD M.A.M. 11/08/93			
3	JET/POOL IS REPLACED BY JET PUMP PER ECO-0033464	PVR	05/16/13	DS	.XX	±0.02	SCALE 1=1		
2	REDRAWN IN DRAFTSIGHT NO CHANGES	GR	10/16/12	PKG	.XXX	±0.005	REF		
1	CHG TO RBC FORMAT PER ISO5-1777	SD	03/13/06		.XXXX	±0.0005	FMF		
NO.	REVISION	BY & DATE	CHK	ANG	±1.0	FINISH	PREV		
THIS DRAWING IN DESIGN AND DETAIL IS OUR PROPERTY AND MUST NOT BE USED EXCEPT IN CONNECTION WITH OUR WORK ALL RIGHTS OF DESIGN AND INVENTION ARE RESERVED THIS IS AN ELECTRONICALLY GENERATED DOCUMENT - DO NOT SCALE THIS PRINT				RFP	CAD FILE	52A109357	SIZE A	DRAWING NO. 52A109357	REV. 3
				DIST					



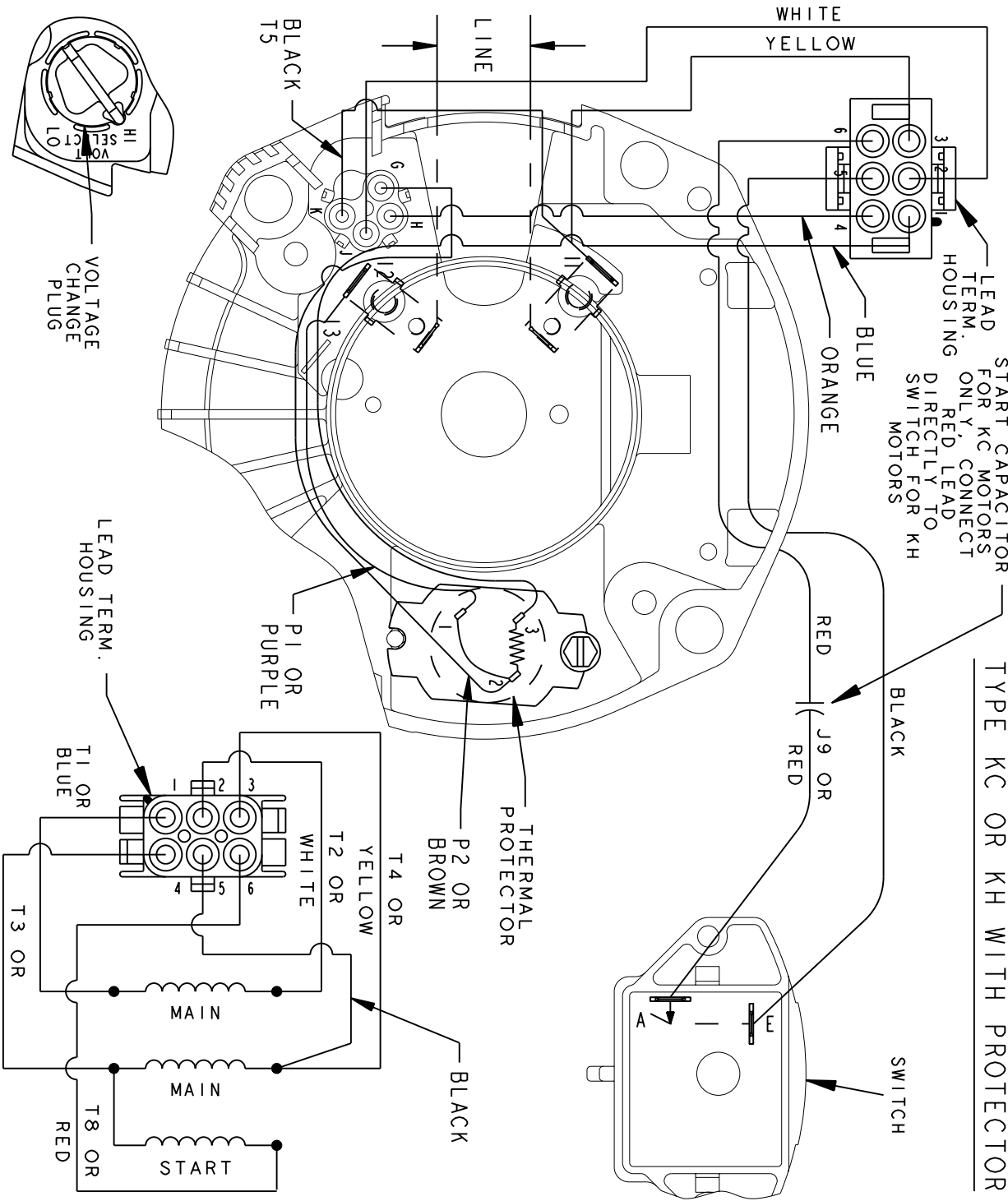


THIRD ANGLE PROJECTION

REV.	DESCRIPTION	DATE	APPROVED
2	UPDATED TO RBC FORMAT	01/11/06	MAM

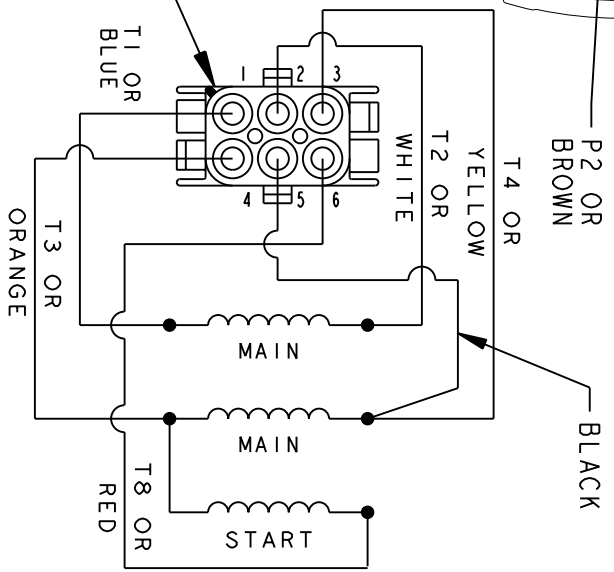
REVISIONS

SET ROTATION - DUAL VOLTAGE  
TYPE KC OR KH WITH PROTECTOR



NOTE #1 - HI VOLTAGE SHOWN FOR LOW VOLTAGE  
ROTATE VOLTAGE CHANGE PLUG TO  
LO POSITION.

CONNECTION LABEL - 52X333027



SIGNATURES	DATE
MODEL B.L.J.	07/21/92
DETAIL	
CHECKED	
ENGRG	
MFG	
QUALITY	
ISSUED	B.L.J. 07/21/92
MATERIAL	SOLID MODEL: 52A106889



REGAL-BELOIT CORPORATION

TITLE CONNECTION DIAGRAM

FME: 2 COMPARTMENT DUAL VOLT, SET ROTATION

SIZE DRAWING A 52A106889 REV 2

SCALE: 1.000 REF. No.: SHEET 1 of 1