

PRODUCT INFORMATION PACKET

marathon[®]
Motors

Model No: 5KC37NN14T
Catalog No: C457
1/3, 1425, DP, 56, 1/50/110/220
Open Drip Proof (ODP)



Regal and Marathon are trademarks of Regal Beloit Corporation or one of its affiliated companies.
©2018 Regal Beloit Corporation, All Rights Reserved. MC017097E

REGAL

Product Information Packet: Model No: 5KC37NN14T, Catalog No:C457 1/3,1425,DP,56,1/50/110/220

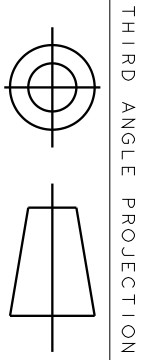
Nameplate Specifications

Output HP	1/3 Hp	Output KW	0.25 kW
Frequency	50 Hz	Voltage	110/220 V
Current	7.4,3.7 A	Speed	1425 rpm
Service Factor	1.35	Phase	1
Efficiency	59.5 %	Duty	Continuous
Insulation Class	B	KVA Code	M
Frame	56	Enclosure	Drip Proof
Overload Protector	AUTO	Ambient Temperature	40 °C
Drive End Bearing Size	6203	Opp Drive End Bearing Size	6203
UL	Recognized	CSA	Yes
CE	N		

Technical Specifications

Electrical Type	Capacitor Start Induction Run	Starting Method	SM
Poles	4	Rotation	Counterclockwise/Clockwise
Mounting	Resilient Base	Motor Orientation	ANY
Drive End Bearing	BALL	Opp Drive End Bearing	BALL
Frame Material	Rolled Steel	Overall Length	10.72 in
Frame Length	6.62 in	Shaft Diameter	0.63 in
Shaft Extension	1.88 in		
Outline Drawing	52A101468P5	Connection Diagram	52A105383AA

This is an uncontrolled document once printed or downloaded and is subject to change without notice. Date Created: 10/08/2018

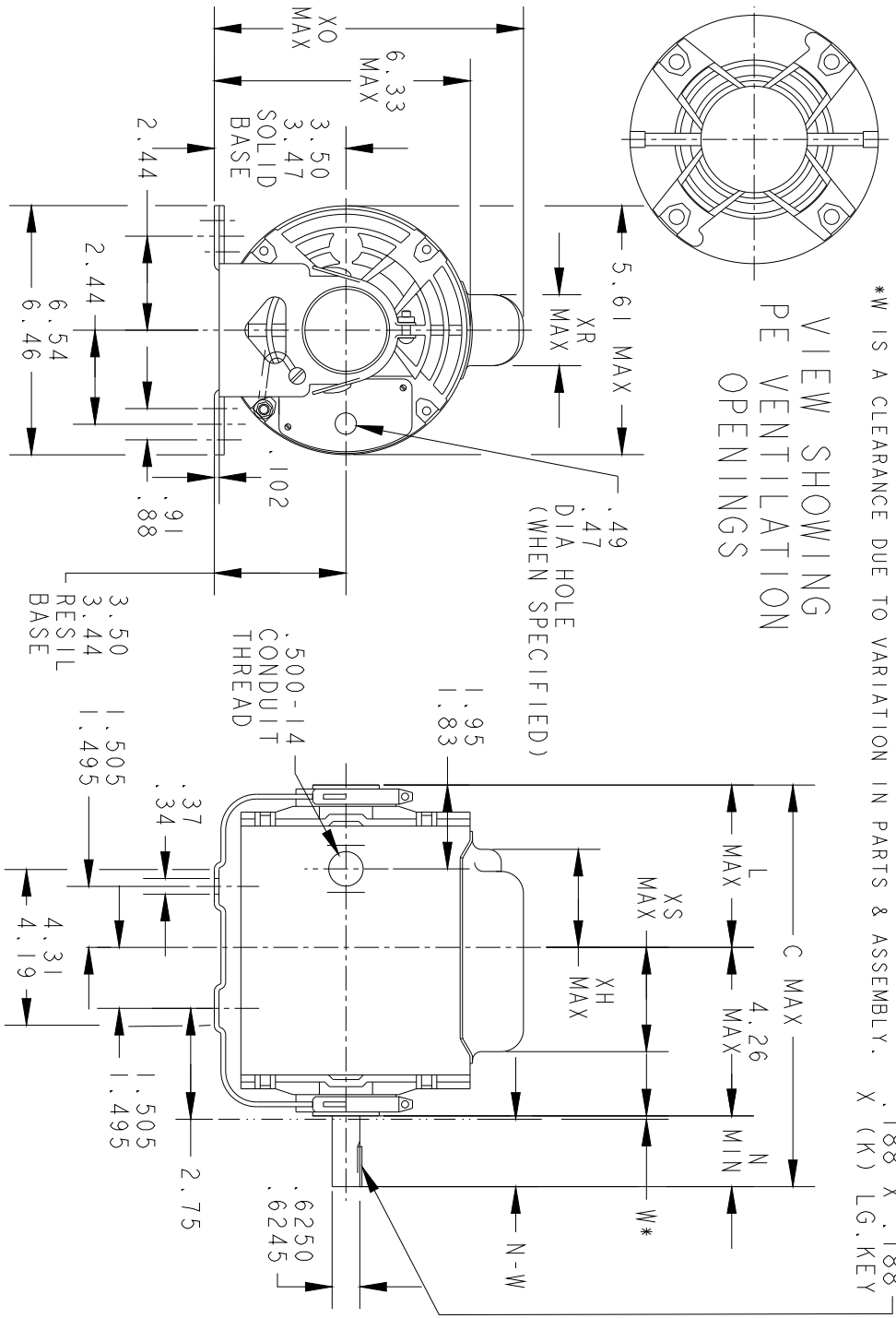


THIRD ANGLE PROJECTION

REVISIONS		REVISED	
REV.	DESCRIPTION	DATE	APPROVED
11	REDRAWN NO CHNAGE T196-22390	07/10/96	MDP
12	ADDED PART 8 PER IS05-1139	05/12/05	RAJKUMAR.R
13	CHG TO RBC FORMAT PER IS 05-1777	12/15/05	GOVARDAN
14	ADDED GND.LD PER IS12-0707	02/24/12	KARTHIK

*W IS A CLEARANCE DUE TO VARIATION IN PARTS & ASSEMBLY. X (K) LG. KEY

VIEW SHOWING
PE VENTILATION
OPENINGS



PT	TYPE	GE SIZE	NEMA FR	C	L	XH	XO	XR	XS	N	N-W	K	SHELL LGTH.
8	KC	38	56	11.32	5.23	2.90	8.43	2.22	2.87	1.88	2.01/1.79	1.38	
7	KC	38	56	11.32	5.23	3.65	8.43	2.22	2.12	1.88	2.01/1.79	1.38	
6	KC	39	56	11.85	5.76	3.45	8.43	2.22	2.32	1.88	2.01/1.79	1.38	7.75
5	KC	37	56	10.72	4.63	3.05	7.81	1.60	2.72	1.88	2.01/1.79	1.38	
4	KC	38	56	11.32	5.23	3.65	7.81	1.60	2.12	1.88	2.01/1.79	1.38	
3	KC	37	56	10.72	4.63	3.05	8.43	2.22	2.72	1.88	2.01/1.79	1.38	
2	KC	36	56	10.32	4.23	2.65	7.81	1.60	2.72	1.88	2.01/1.79	1.38	
1	KC	35	56	9.89	3.80	2.22	7.81	1.60	2.34	1.88	2.01/1.79	1.38	

SIGNATURES		DATE	
MODEL	GLB	01/30/75	
DETAIL			
CHECKED			
ENGRG			
MFG			
QUALITY			
ISSUED	MDP	07/10/96	

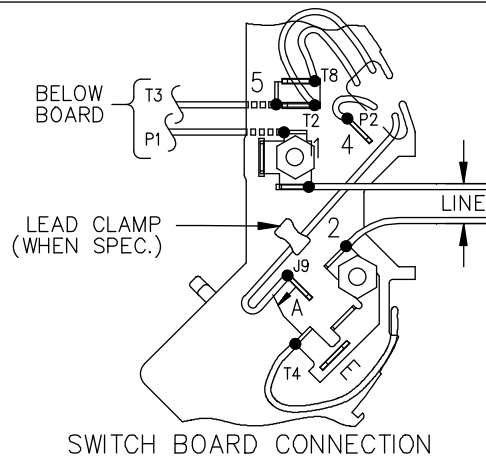
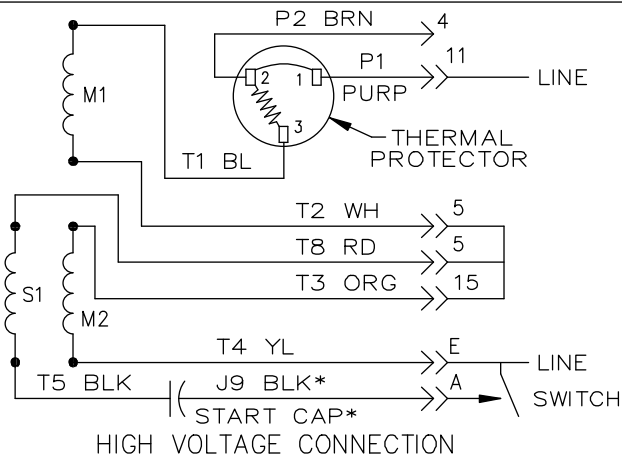
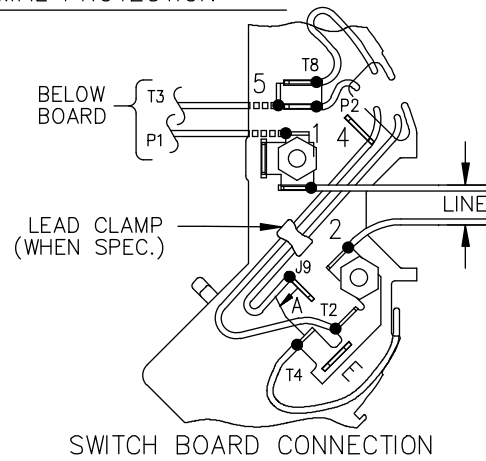
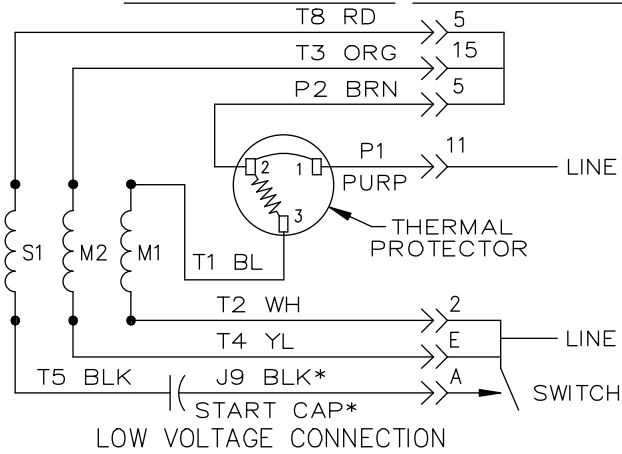
FOR ADDITIONAL INFO REFER TO:	
APPLIED PRACTICES	✓
DIMENSIONS ARE IN INCHES	✓
MATERIAL	SOLID MODEL: 52A101468

REGAL-BELOTT CORPORATION	
OUTLINE	
FORM N - GENERAL PURPOSE MOTOR - DRIP PROOF - SOLID OR RESIL BASE - BALL OR SLEEVE BEARING	
SIZE	REV
A	14

SCALE: 0.003 REF. No: .

SHEET 1 of 1

EITHER ROTATION, DUAL VOLTAGE, TYPE KC OR KH, WITH THERMAL PROTECTION



NOTE #1 - START CAP & J9 WHEN SPECIFIED (*). IF NO CAPACITOR (KH), CONNECT T5 DIRECTLY TO SWITCH (A). WHEN MORE THAN ONE CAPACITOR IS USED, CONNECT IN PARALLEL.

NOTE #2 - TO REVERSE ROTATION, INTER CHANGE RD(T8) AND BLK(J9-KC OR T5-KH) LEADS.

SWITCH REF. - 115D958AB	CONNECTION LABEL	CCW ROTATION: NP52X332051AA
		CW ROTATION: NP52X332051AC

				TOLERANCES UNLESS SPECIFIED		REGAL-BELOIT CORPORATION	DRAWN M.D.P 06/29/87		
				DEC.	INCHES		CHK		
				.X	±0.1	TITLE CONNECTION DIAGRAM 30 FRAME SWITCH REDESIGN	APPD M.D.P 03/26/96		
				.XX	±0.02		SCALE 1=1		
5	ADDED CONNECTION LABEL PER ECO-0030779	UD 02/06/13	PKG	.XXX	±0.005			REF	
4	UPDATED PER ISO7-0150	MD 01/23/07		.XXXX	±0.0005		MAT'L.	FMF	
NO.	REVISION	BY & DATE	CHK	ANG	±1.0		FINISH	PREV	
THIS DRAWING IN DESIGN AND DETAIL IS OUR PROPERTY AND MUST NOT BE USED EXCEPT IN CONNECTION WITH OUR WORK. ALL RIGHTS OF DESIGN AND INVENTION ARE RESERVED. THIS IS AN ELECTRONICALLY GENERATED DOCUMENT - DO NOT SCALE THIS PRINT				RFP		CAD FILE 52A105383AA	SIZE A	DRAWING NO. 52A105383AA	REV. 5
				DIST					